

# ***DAC5675A Evaluation Module***

## *User's Guide*

## IMPORTANT NOTICE

Texas Instruments Incorporated and its subsidiaries (TI) reserve the right to make corrections, modifications, enhancements, improvements, and other changes to its products and services at any time and to discontinue any product or service without notice. Customers should obtain the latest relevant information before placing orders and should verify that such information is current and complete. All products are sold subject to TI's terms and conditions of sale supplied at the time of order acknowledgment.

TI warrants performance of its hardware products to the specifications applicable at the time of sale in accordance with TI's standard warranty. Testing and other quality control techniques are used to the extent TI deems necessary to support this warranty. Except where mandated by government requirements, testing of all parameters of each product is not necessarily performed.

TI assumes no liability for applications assistance or customer product design. Customers are responsible for their products and applications using TI components. To minimize the risks associated with customer products and applications, customers should provide adequate design and operating safeguards.

TI does not warrant or represent that any license, either express or implied, is granted under any TI patent right, copyright, mask work right, or other TI intellectual property right relating to any combination, machine, or process in which TI products or services are used. Information published by TI regarding third-party products or services does not constitute a license from TI to use such products or services or a warranty or endorsement thereof. Use of such information may require a license from a third party under the patents or other intellectual property of the third party, or a license from TI under the patents or other intellectual property of TI.

Reproduction of information in TI data books or data sheets is permissible only if reproduction is without alteration and is accompanied by all associated warranties, conditions, limitations, and notices. Reproduction of this information with alteration is an unfair and deceptive business practice. TI is not responsible or liable for such altered documentation.

Resale of TI products or services with statements different from or beyond the parameters stated by TI for that product or service voids all express and any implied warranties for the associated TI product or service and is an unfair and deceptive business practice. TI is not responsible or liable for any such statements.

Following are URLs where you can obtain information on other Texas Instruments products and application solutions:

<b>Products</b>		<b>Applications</b>	
Amplifiers	<a href="http://amplifier.ti.com">amplifier.ti.com</a>	Audio	<a href="http://www.ti.com/audio">www.ti.com/audio</a>
Data Converters	<a href="http://dataconverter.ti.com">dataconverter.ti.com</a>	Automotive	<a href="http://www.ti.com/automotive">www.ti.com/automotive</a>
DSP	<a href="http://dsp.ti.com">dsp.ti.com</a>	Broadband	<a href="http://www.ti.com/broadband">www.ti.com/broadband</a>
Interface	<a href="http://interface.ti.com">interface.ti.com</a>	Digital Control	<a href="http://www.ti.com/digitalcontrol">www.ti.com/digitalcontrol</a>
Logic	<a href="http://logic.ti.com">logic.ti.com</a>	Military	<a href="http://www.ti.com/military">www.ti.com/military</a>
Power Mgmt	<a href="http://power.ti.com">power.ti.com</a>	Optical Networking	<a href="http://www.ti.com/opticalnetwork">www.ti.com/opticalnetwork</a>
Microcontrollers	<a href="http://microcontroller.ti.com">microcontroller.ti.com</a>	Security	<a href="http://www.ti.com/security">www.ti.com/security</a>
		Telephony	<a href="http://www.ti.com/telephony">www.ti.com/telephony</a>
		Video & Imaging	<a href="http://www.ti.com/video">www.ti.com/video</a>
		Wireless	<a href="http://www.ti.com/wireless">www.ti.com/wireless</a>

Mailing Address: Texas Instruments  
Post Office Box 655303 Dallas, Texas 75265

---

## EVM IMPORTANT NOTICE

Texas Instruments (TI) provides the enclosed product(s) under the following conditions:

This evaluation kit being sold by TI is intended for use for **ENGINEERING DEVELOPMENT OR EVALUATION PURPOSES ONLY** and is not considered by TI to be fit for commercial use. As such, the goods being provided may not be complete in terms of required design-, marketing-, and/or manufacturing-related protective considerations, including product safety measures typically found in the end product incorporating the goods. As a prototype, this product does not fall within the scope of the European Union directive on electromagnetic compatibility and therefore may not meet the technical requirements of the directive.

Should this evaluation kit not meet the specifications indicated in the EVM User's Guide, the kit may be returned within 30 days from the date of delivery for a full refund. **THE FOREGOING WARRANTY IS THE EXCLUSIVE WARRANTY MADE BY SELLER TO BUYER AND IS IN LIEU OF ALL OTHER WARRANTIES, EXPRESSED, IMPLIED, OR STATUTORY, INCLUDING ANY WARRANTY OF MERCHANTABILITY OR FITNESS FOR ANY PARTICULAR PURPOSE.**

The user assumes all responsibility and liability for proper and safe handling of the goods. Further, the user indemnifies TI from all claims arising from the handling or use of the goods. Please be aware that the products received may not be regulatory compliant or agency certified (FCC, UL, CE, etc.). Due to the open construction of the product, it is the user's responsibility to take any and all appropriate precautions with regard to electrostatic discharge.

**EXCEPT TO THE EXTENT OF THE INDEMNITY SET FORTH ABOVE, NEITHER PARTY SHALL BE LIABLE TO THE OTHER FOR ANY INDIRECT, SPECIAL, INCIDENTAL, OR CONSEQUENTIAL DAMAGES.**

TI currently deals with a variety of customers for products, and therefore our arrangement with the user **is not exclusive**.

TI assumes **no liability for applications assistance, customer product design, software performance, or infringement of patents or services described herein**.

Please read the EVM User's Guide and, specifically, the EVM Warnings and Restrictions notice in the EVM User's Guide prior to handling the product. This notice contains important safety information about temperatures and voltages. For further safety concerns, please contact the TI application engineer.

Persons handling the product must have electronics training and observe good laboratory practice standards.

No license is granted under any patent right or other intellectual property right of TI covering or relating to any machine, process, or combination in which such TI products or services might be or are used.

Mailing Address:

Texas Instruments  
Post Office Box 655303  
Dallas, Texas 75265

---

## **EVM WARNINGS AND RESTRICTIONS**

It is important to operate this EVM within the input voltage range of 3.3 V.

Exceeding the specified input range may cause unexpected operation and/or irreversible damage to the EVM. If there are questions concerning the input range, please contact a TI field representative prior to connecting the input power.

Applying loads outside of the specified output range may result in unintended operation and/or possible permanent damage to the EVM. Please consult the EVM User's Guide prior to connecting any load to the EVM output. If there is uncertainty as to the load specification, please contact a TI field representative.

During normal operation, some circuit components may have case temperatures greater than 60°C. The EVM is designed to operate properly with certain components above 60°C as long as the input and output ranges are maintained. These components include but are not limited to linear regulators, switching transistors, pass transistors, and current sense resistors. These types of devices can be identified using the EVM schematic located in the EVM User's Guide. When placing measurement probes near these devices during operation, please be aware that these devices may be very warm to the touch.

Mailing Address:

Texas Instruments  
Post Office Box 655303  
Dallas, Texas 75265

Copyright © 2004, Texas Instruments Incorporated

# Contents

---

---

---

<b>1</b>	<b>Overview</b> .....	<b>1-1</b>
1.1	Purpose .....	1-2
1.2	EVM Basic Functions .....	1-2
1.3	Power Requirements .....	1-2
1.4	DAC5675A EVM Operational Procedure .....	1-3
<b>2</b>	<b>PCB Layout and Parts List</b> .....	<b>2-1</b>
2.1	PCB Layout .....	2-2
2.2	Parts List .....	2-5
<b>3</b>	<b>Circuit Description</b> .....	<b>3-1</b>
3.1	Circuit Function .....	3-2
3.1.1	Input Clock .....	3-2
3.1.2	Input Data .....	3-2
3.1.3	Output Data .....	3-5
3.1.4	Internal Reference Operation .....	3-5
3.1.5	External Reference Operation .....	3-5
3.1.6	Sleep Mode .....	3-5
<b>4</b>	<b>Schematics</b> .....	<b>4-1</b>

# Figures

---

---

---

2-1	Top Layer 1 .....	2-2
2-2	Ground Plane 1 Layer 2 .....	2-2
2-3	AVDD Power Plane Layer 3 .....	2-3
2-4	DVDD Power Plane Layer 4 .....	2-3
2-5	Ground Plane 2 Layer 5 .....	2-4
2-6	Bottom Layer 6 .....	2-4

# Tables

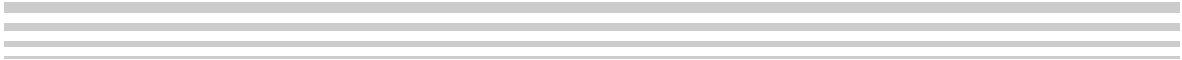
---

---

---

1-1	Two Pin Jumper List .....	1-3
1-2	Three Pin Jumper List .....	1-3
2-1	DAC5675A EVM Parts List .....	2-5
3-1	EVM Clock Configuration .....	3-2
3-2	CMOS Input Connector P2 .....	3-3
3-3	LVDS Input Connector P2 .....	3-4
3-4	Transformer Output Configuration .....	3-5

# Overview



This chapter gives a general overview of the DAC5675A evaluation module (EVM) and provides a general description of the features and functions to be considered while using this module.

<b>Topic</b>	<b>Page</b>
1.1 Purpose .....	1-2
1.2 EVM Basic Functions .....	1-2
1.3 Power Requirements .....	1-2
1.4 DAC5675A Operational Procedure .....	1-3

## 1.1 Purpose

The DAC5675A EVM provides a platform for evaluating the DAC5675A digital-to-analog converter (DAC) under various signal, reference, and supply conditions. This document must be used in combination with the EVM schematic diagram supplied.

## 1.2 EVM Basic Functions

Digital inputs to the DAC can be provided with either LVDS level inputs through a 60 pin header or CMOS inputs through a 40 pin header. This enables the user to provide high-speed digital data to the DAC5675A.

The analog output from the DAC is provided via SMA connectors. Because of its flexible design the analog output of the DAC5675A can be configured to drive a 50  $\Omega$  terminated cable using a 4:1 or 1:1 impedance ratio transformer, or single-ended referred to  $AV_{DD}$ .

The EVM allows for different clock configurations. The user can input a differential ECL/PECL or TTL/CMOS level signal, to be used to generate a single-ended or differential clock source. Refer to the clock section for proper configuration and operation.

Power connections to the EVM are via banana jack sockets. Separate sockets are provided for the analog and digital supply.

In addition to the internal bandgap reference provided by the DAC5675A device, options are provided on the EVM to allow external reference to be provided to the DAC.

## 1.3 Power Requirements

The EVM can be powered directly with a single 3.3-V supply. Provision has been made to allow the EVM to be powered with independent 3.3-V analog and digital supplies to provide higher performance.

---

**Note: Voltage Limits**

Exceeding the maximum input voltages can damage EVM components. Under voltage may cause improper operation of some or all of the EVM components.

---



## 1.4 DAC5675A EVM Operational Procedure

The DAC5675A EVM can be set up in a variety of configurations to accommodate a specific mode of operation. Before starting evaluation, the user should decide on the configuration and make the appropriate connections or changes. The following setup procedure can be used as a board confidence check:

- 1) Verify all jumper settings against the schematic jumper list in Tables 1–1 and 1–2:

*Table 1–1. Two Pin Jumper List*

Jumper	Function	Installed	Removed	Default
W4	Power for LVDS driver	Enables CMOS input circuit	CMOS input circuit is powered down	Installed

*Table 1–2. Three Pin Jumper List*

Jumper	Function	Location: Pins 1– 2	Location: Pins 2–3	Default
W1	Power down select	Power down mode	Operate mode	2–3
W2	N/A	N/A	N/A	Not Installed
W3	LVDS line driver enable	Outputs 3-state	Outputs enabled	2–3

- 2) Connect supplies to the EVM as follows:
  - 3.3 V analog supply to J1 and return to J2.
  - 3.3 V digital supply to J3 and return to J4.
- 3) Switch power supplies on.
- 4) Use a frequency generator with 50- $\Omega$  output to input a 400 Mhz, 0V offset, 150-mVpp amplitude sine wave signal into J9 to be used as the DAC clock. The frequency of the clock must be within the specification for the device speed grade.
- 5) Use a digital test pattern generator with 50  $\Omega$  outputs to input 3.3-V CMOS logic level inputs to P2. This data must be synchronized and the same frequency as the DAC input clock.
- 6) The analog output on SMA connector J8 can now be monitored using a spectrum analyzer.



# PCB Layout and Parts List

---

---

---

---

This chapter shows the PCB layout of the EVM and lists the components used on the module.

<b>Topic</b>	<b>Page</b>
2.1 PCB Layout .....	2-2
2.2 Parts List .....	2-5

## 2.1 PCB Layout

Figures 4–1 through 4–6 show the PCB layout for the EVM.

Figure 2–1. Top Layer 1

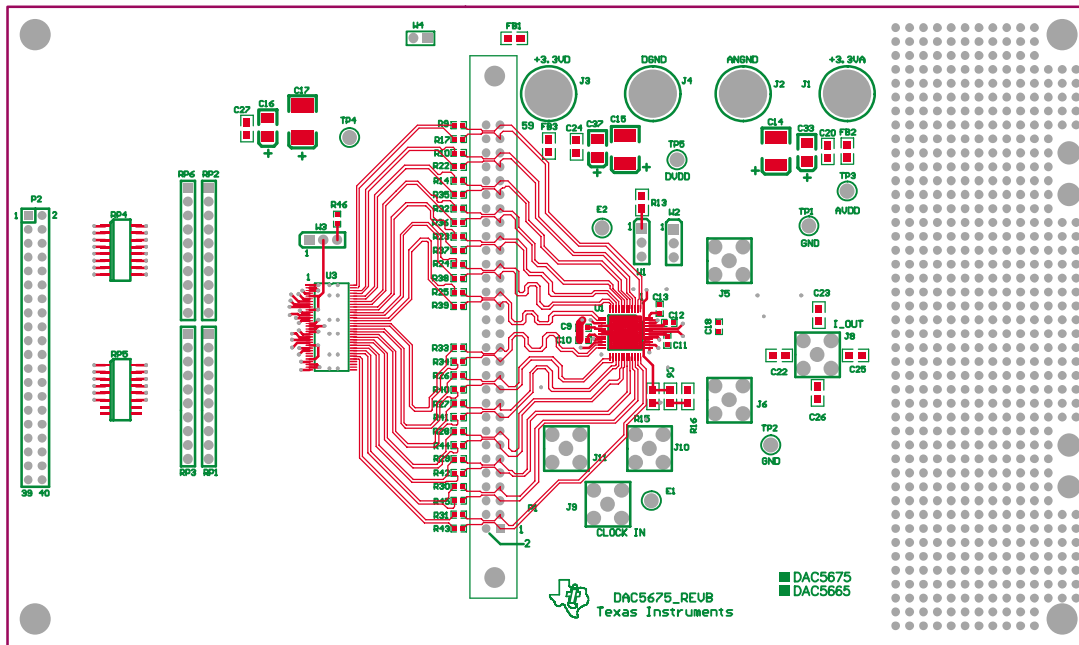


Figure 2–2. Ground Plane 1 Layer 2

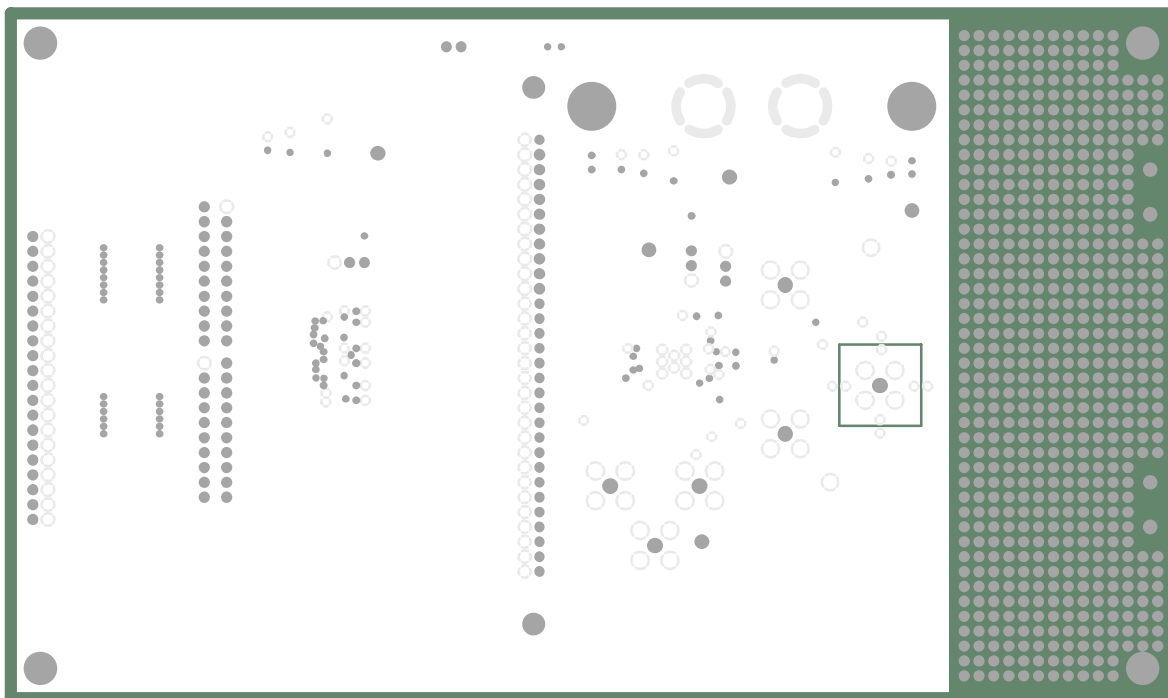


Figure 2-3. AVDD Power Plane Layer 3

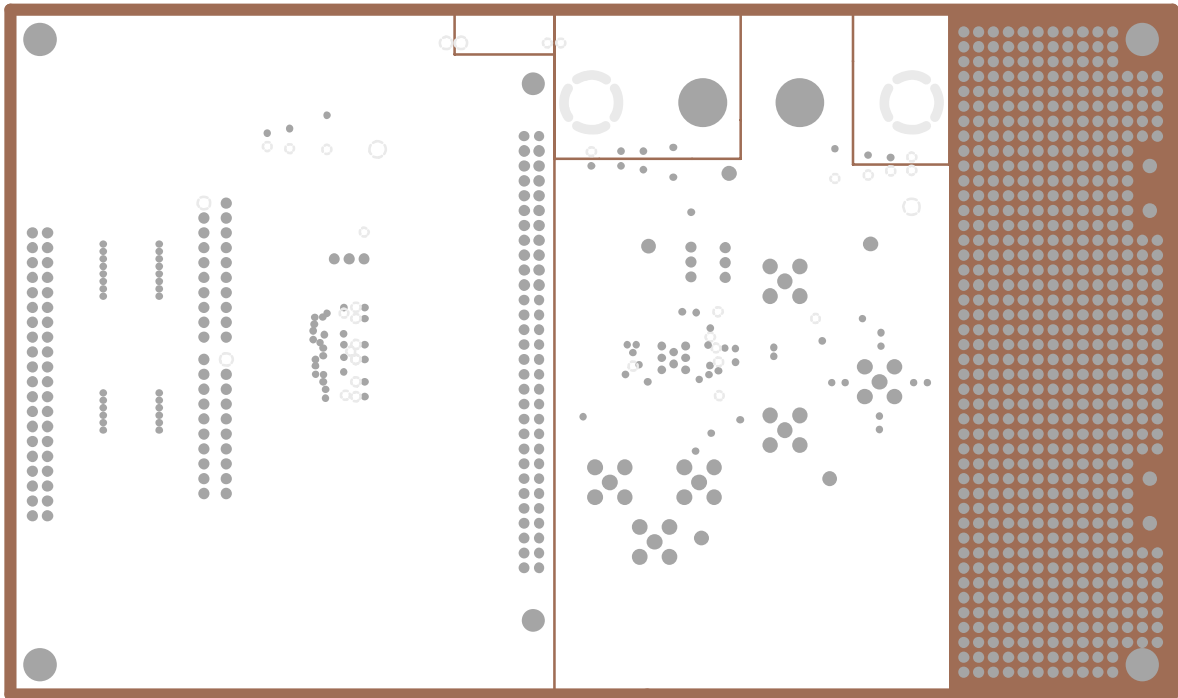


Figure 2-4. DVDD Power Plane Layer 4

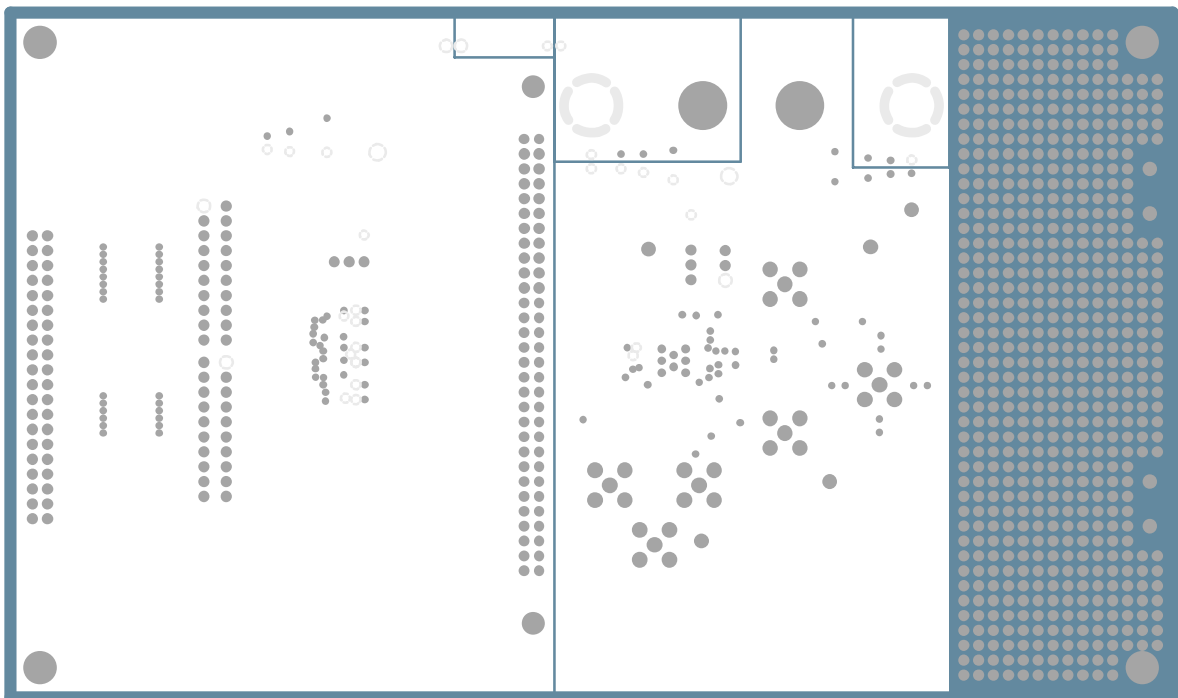


Figure 2–5. Ground Plane 2 Layer 5

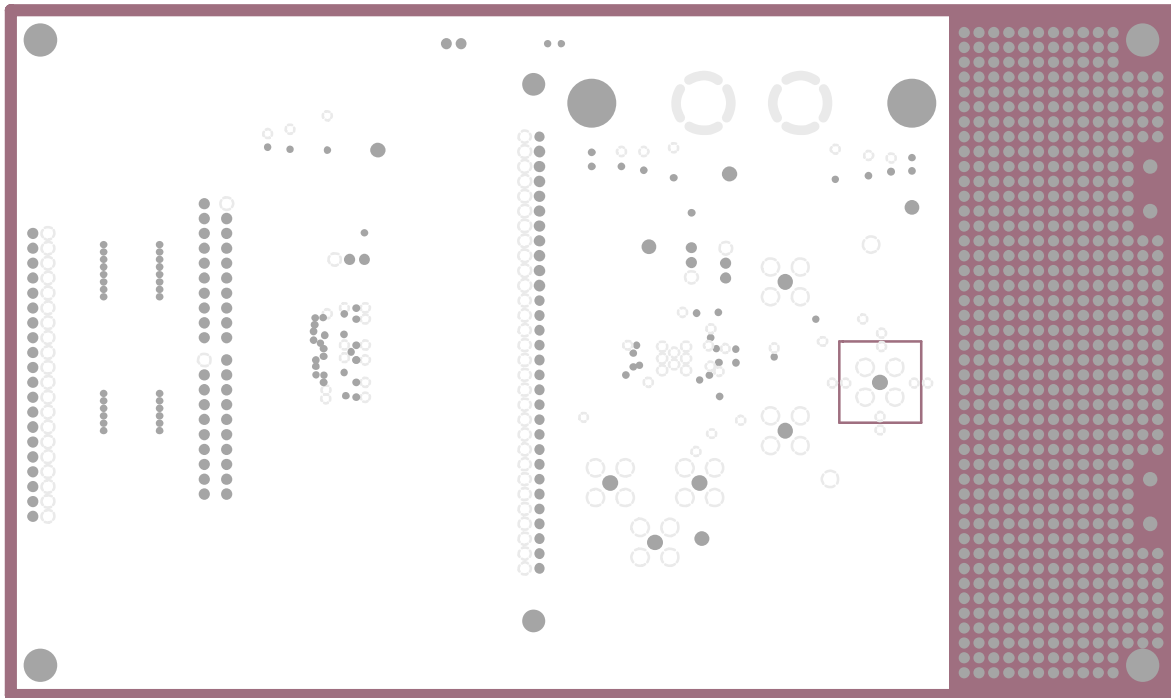
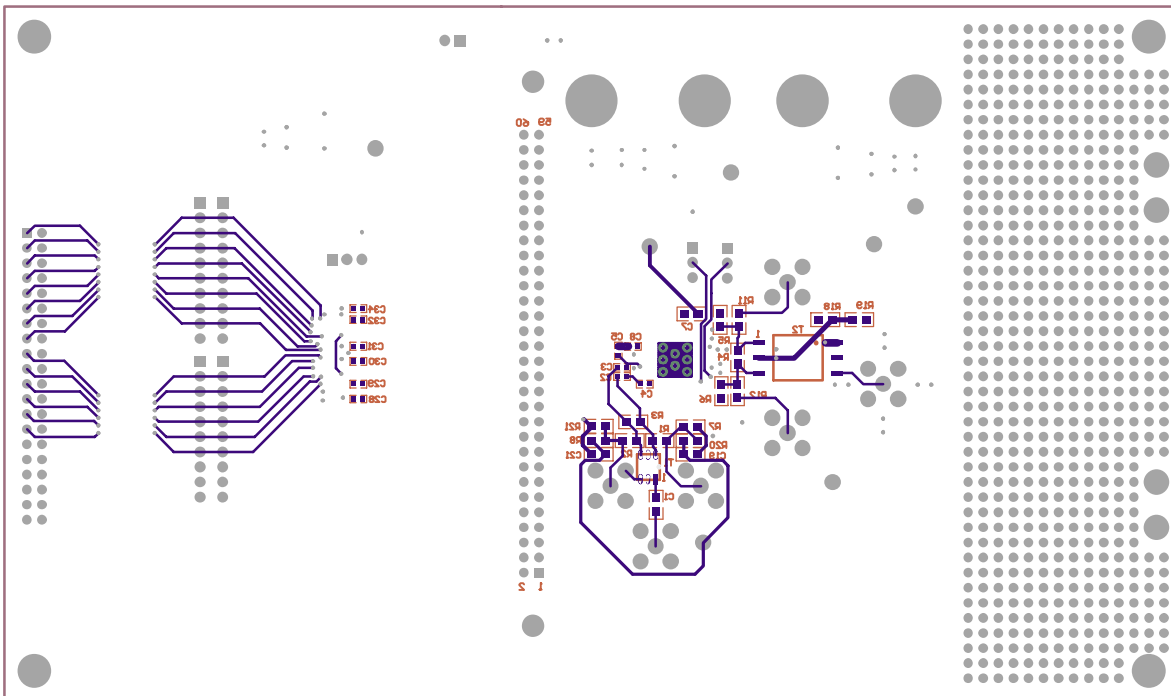


Figure 2–6. Bottom Layer 6



## 2.2 Parts List

Table 2–1 lists the parts used in constructing the EVM.

Table 2–1. DAC5675A EVM Parts List

Bill Of Material For DAC5675A					
Description	Qty	Part Number	Manufacturer	Ref Des	Not Installed
0.01- $\mu$ F, 16 V, 10% capacitor	12	ECJ–1VB1C103K	Panasonic	C8–C13 C28–C32 C34	C4 C5
0.1- $\mu$ F, 16 V, 10% capacitor	1	ECJ–1VB1C104K	Panasonic	C18	
0.1- $\mu$ F, 16 V, 10% capacitor	4	ECJ–2VB1C104K	Panasonic	C7 C20 C24 C27	C19 C21
0.01- $\mu$ F, 50 V, 10% capacitor	1	ECU–V1H103KBG	Panasonic	C1	C6
10- $\mu$ F, 10 V, 10% capacitor	3	GRM42X5R106K10	Murata	C16 C33 C37	
47- $\mu$ F, 10 V, 10% capacitor	3	10TPA47M	Sanyo	C14 C15 C17	
0- $\Omega$ resistor	30	ERJ–3EKF0R00V	Panasonic	R9 R10 R14 R17 R22–R45	
0- $\Omega$ resistor	5	ERJ–6GEY0R00V	Panasonic	R18 C22 C23 C25 C26	R1 R2 R11 R12
10-K $\Omega$ resistor	1	CRCW08051002F	Dale	R13	
49.9- $\Omega$ resistor	2	CRCW080549R9F	Dale	R5 R6	R7 R8 R20 R21
100- $\Omega$ resistor	1	CRCW08051000F	Dale	R4	
1K- $\Omega$ resistor	1	ERJ–3EKF1001	Panasonic	R46	
1-k $\Omega$ resistor	1	CRCW08051001F	Dale	R15	R16 R19
200- $\Omega$ resistor	1	CRCW08052000F	Dale	R3	
22- $\Omega$ resistor pack	2	4816P–001–220	Bourns	RP4 RP5	
100- $\Omega$ resistor pack	0	EXB–F10E101G	Panasonic		RP1 RP6
51.1- $\Omega$ resistor pack	2	770–101–R51	CTS		RP2 RP3
Ferrite bead	3	D01608C–472	Coil Craft	FB1 FB2 FB3	

Table 2-1. DAC5675A EVM Parts List (Continued)

Bill Of Material For DAC5675A					
Description	Qty	Part Number	Manufacturer	Ref Des	Not Installed
2POS_JUMPER	1	TSW-150-07-L-S	Samtec	W4	
3POS_JUMPER	3	TSW-150-07-L-S	Samtec	W1 W2 W3	
40PIN_IDC	1	TSW-120-07-L-D	Samtec	P2	
60PIN_3M	1	TSW-130-07-L-D	Samtec	P1	
Red Banana Jack	2	ST-351A	Allied	J1 J3	
Black Banana Jack	2	ST-351B	Allied	J2 J4	
BLACK TESTPOINT	2	5001K	Keystone	TP1 TP2	
RED TESTPOINT	3	5000K	Keystone	TP3 TP4 TP5	
DAC5675A	1	DAC5675AIPHP	TI	U1	
SN65LVDS387	1	SN75LVDS387DGG	TI	U3	
Transformer	1	TCM4-1W	Mini-Circuits	T1	
Transformer	1	T1-1T-KK8	Mini-Circuits	T2	
SMA connectors	2	713-4339	Allied	J8 J9	J5 J6 J10 J11



# **Circuit Description**

---

---

---

---

This chapter discusses the various functions on the EVM.

<b>Topic</b>	<b>Page</b>
<b>3.1 Circuit Function .....</b>	<b>3-2</b>

### 3.1 Circuit Function

The following paragraphs describe the functions of individual circuits. Refer to the relevant data sheet for device operating characteristics.

#### 3.1.1 Input Clock

The DAC5675A EVM default operation setting is with a differential input clock sent to the DAC5675A. An external sinewave clock is applied to SMA connector J9 and converted to a differential clock input to the DAC5675A by transformer T1. This input represents a 50- $\Omega$  load to the source. In order to preserve the specified performance of the DAC5675A converter, the clock source should feature very low jitter. Optimum clock amplitude is 150 mVpp at the J9 input. Using a clock with a 50% duty cycle will give optimum dynamic performance.

##### 3.1.1.1 Differential ECL/PECL Input Clock

The EVM can be configured for differential ECL/ PECL input clock mode by configuring the board per Table 3–1 and applying the appropriate ECL/PECL common mode voltage at terminal E1 (VTT). Use J10 and J11 to input the external differential ECL/PECL clock signals.

##### 3.1.1.2 Single-Ended Input Clock

The EVM can be configured for single-ended input clock mode by configuring the board per Table 3–1. Use J10 SMA to input the external TTL/CMOS clock signal.

Table 3–1. EVM Clock Configuration

Clock Configuration	Components Installed†	Components Not Installed
Differential (default)	R3, T1, C1, C2 (short), C3 (short)	R1, R2, R7, R8, R20, R21, C4, C5
ECL or PECL	R1, R2, R20, R8, C2, C3	R3, R7, R21, T1, C4, C5, C19, C21
Single ended TTL/CMOS	R1, R7, C5, C2 (short),	R2, R3, R20, T1, C3, C4

† All component values are per the schematic except where shown in parenthesis.

#### 3.1.2 Input Data

The DAC5675A EVM can be configured to accept either 3.3-V CMOS logic level or LVDS logic level input data.

### 3.1.2.1 CMOS Input Data

The DAC5675A EVM can accept 3.3 V CMOS logic level data inputs. With 0 ohm resistors installed for R9, R10, R14, R17, R22–R45, Jumper W4 installed, and Jumper W3 inserted between pins 2 and 3, CMOS level data present at P2 is converted to LVDS levels by the LVDS driver U3. The DAC5675A features internal 100 ohm resistors eliminating the need for external termination resistors. More information on the data inputs can be found in the data sheet. 14-bit CMOS input data is brought in through the 40 pin header P2 per Table 3–2.

Table 3–2. CMOS Input Connector P2

P2 pin	Description	P2 pin	Description
1	CMOS data bit 13 (MSB)	21	CMOS data bit 3
2	GND	22	GND
3	CMOS data bit 12	23	CMOS data bit 2
4	GND	24	GND
5	CMOS data bit 11	25	CMOS data bit 1
6	GND	26	GND
7	CMOS data bit 10	27	CMOS data bit 0 (LSB)
8	GND	28	GND
9	CMOS data bit 9	29	
10	GND	30	GND
11	CMOS data bit 8	31	
12	GND	32	GND
13	CMOS data bit 7	33	
14	GND	34	GND
15	CMOS data bit 6	35	
16	GND	36	GND
17	CMOS data bit 5	37	
18	GND	38	GND
19	CMOS data bit 4	39	
20	GND	40	GND

### 3.1.2.2 LVDS Input Data

The DAC5675A EVM can accept LVDS (low voltage differential signaling) data inputs per TIA/EIA-644 standard compliant electrical interface. For this mode of operation, R9, R10, R14, R17, R22-R45, and Jumper W4 should be removed for optimal operation. 14-bit input data is brought in through the 60 pin header P1 per Table 3-3.

Table 3-3. LVDS Input Connector P2

P1 Pin	Description	P1 Pin	Description
1	LVDS negative data bit 0 (LSB)	31	
2	GND	32	GND
3	LVDS positive data bit 0 (LSB)	33	LVDS negative data bit 7
4	GND	34	GND
5	LVDS negative data bit 1	35	LVDS positive data bit 7
6	GND	36	GND
7	LVDS positive data bit 1	37	LVDS negative data bit 8
8	GND	38	GND
9	LVDS negative data bit 2	39	LVDS positive data bit 8
10	GND	40	GND
11	LVDS positive data bit 2	41	LVDS negative data bit 9
12	GND	42	GND
13	LVDS negative data bit 3	43	LVDS positive data bit 9
14	GND	44	GND
15	LVDS positive data bit 3	45	LVDS negative data bit 10
16	GND	46	GND
17	LVDS negative data bit 4	47	LVDS positive data bit 10
18	GND	48	GND
19	LVDS positive data bit 4	49	LVDS negative data bit 11
20	GND	50	GND
21	LVDS negative data bit 5	51	LVDS positive data bit 11
22	GND	52	GND
23	LVDS positive data bit 5	53	LVDS negative data bit 12
24	GND	54	GND
25	LVDS negative data bit 6	55	LVDS positive data bit 12
26	GND	56	GND
27	LVDS positive data bit 6	57	LVDS negative data bit 13 (MSB)
28	GND	58	GND
29		59	LVDS positive data bit 13 (MSB)
30	GND	60	GND

### 3.1.3 Output Data

The DAC5675A EVM can be configured to drive a doubly terminated 50-Ω cable or provide unbuffered differential outputs.

#### 3.1.3.1 Transformer Coupled Signal Output

The factory-set configuration of the demonstration board provides the user with a single-ended output signal at SMA connector J8. The DAC5675A is configured to drive a doubly terminated 50-Ω cable using a 1:1 impedance ratio transformer, a 100-Ω terminating resistor R4, and the center tap of T2 connected to AV<sub>DD</sub> per Table 3–4. When using a 4:1 impedance ratio transformer, configure the EVM per Table 3–4.

Table 3–4. Transformer Output Configuration

Configuration	Components Installed†	Components Not Installed
1:1 Impedance ratio transformer	R4, R5, R6, R18, C18 T2 (1:1)	R11, R12, R19
4:1 Impedance ratio transformer	R18, R5 (100), R6 (100), C18, T2 (4:1)	R4, R11, R12, R19

† All component values are per the schematic except where shown in parenthesis.

#### 3.1.3.2 Unbuffered Differential Output

To provide unbuffered differential outputs, the EVM must be configured as follows: Remove R4 and T2; Install R11, R12, J5 and J6; Replace R5 and R6 with 25-Ω resistors.

### 3.1.4 Internal Reference Operation

The full-scale output current is set by applying an external resistor (R15) between the BIASJ pin of the DAC5675A and ground. The full-scale output current can be adjusted from 20 mA down to 2 mA by varying R15 or changing the externally applied reference voltage. The full-scale output current, I<sub>OUTFS</sub>, is defined as follows:

$$I_{OUT_{FS}} = 16 \times \left( \frac{V_{EXTIO}}{R15} \right)$$

where V<sub>EXTIO</sub> is the voltage at pin EXTIO. This voltage is 1.2 V typical when using the internally provided bandgap reference voltage source.

### 3.1.5 External Reference Operation

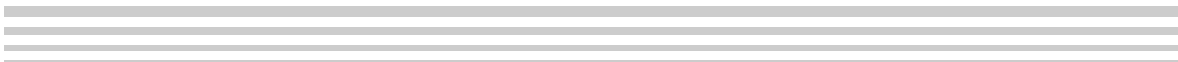
The internal reference can be disabled and overridden by an external reference by connecting a voltage source to terminal E2 (EXT\_I/O). The specified range for external reference voltages should be observed (see the DAC5675A data sheet for details).

### 3.1.6 Sleep Mode

The DAC5675A EVM provides a means of placing the DAC5675A into a power-down mode. This mode is activated by placing Jumper W1 between pins 1 and 2.

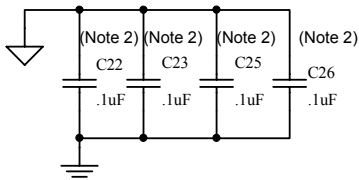
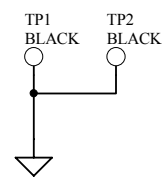
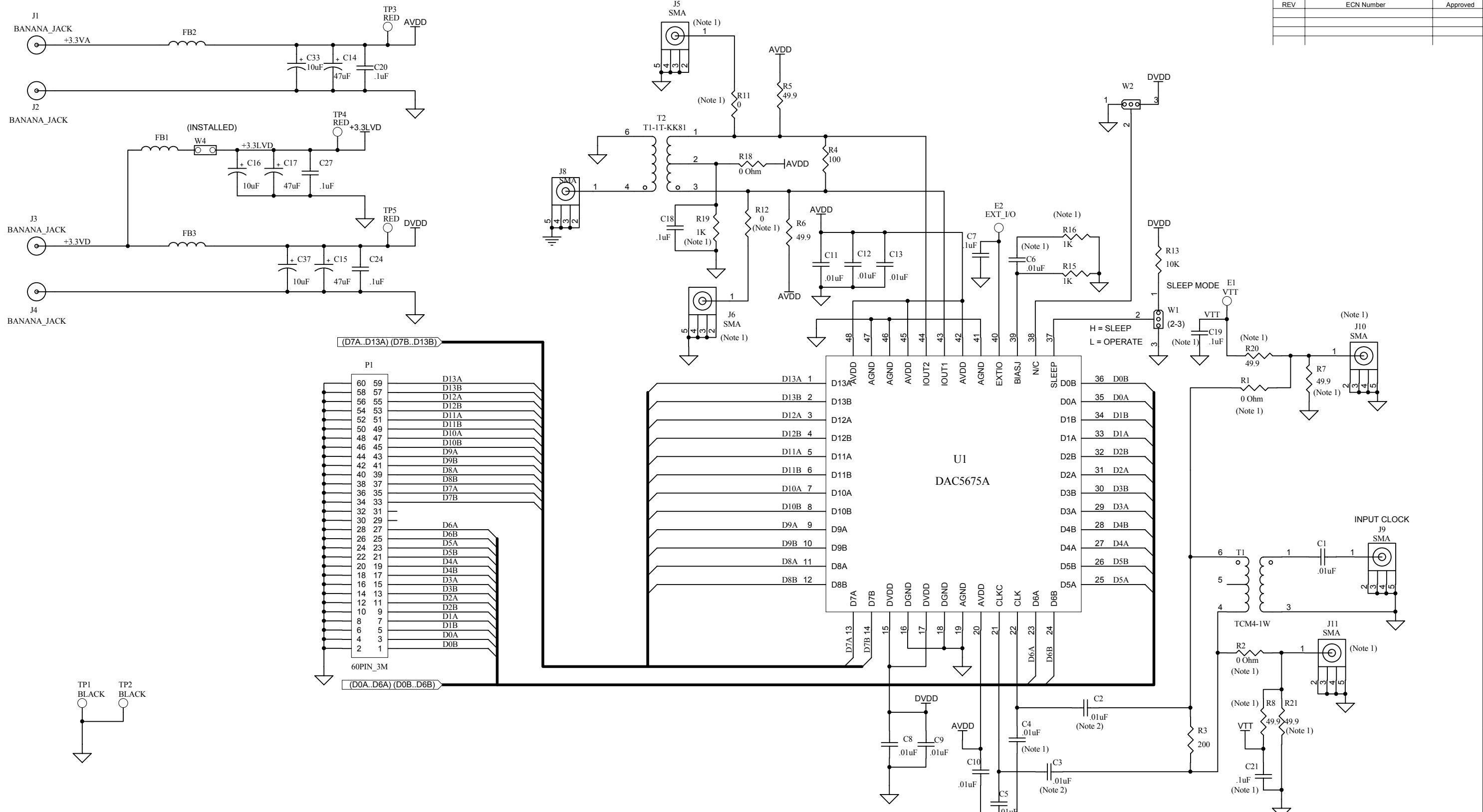


# **Schematics**



This chapter contains the EVM schematic diagrams.

Revision History		
REV	ECN Number	Approved



NOTE 1. PART IS NOT INSTALLED  
 NOTE 2. PART IS REPLACED WITH A SHORT

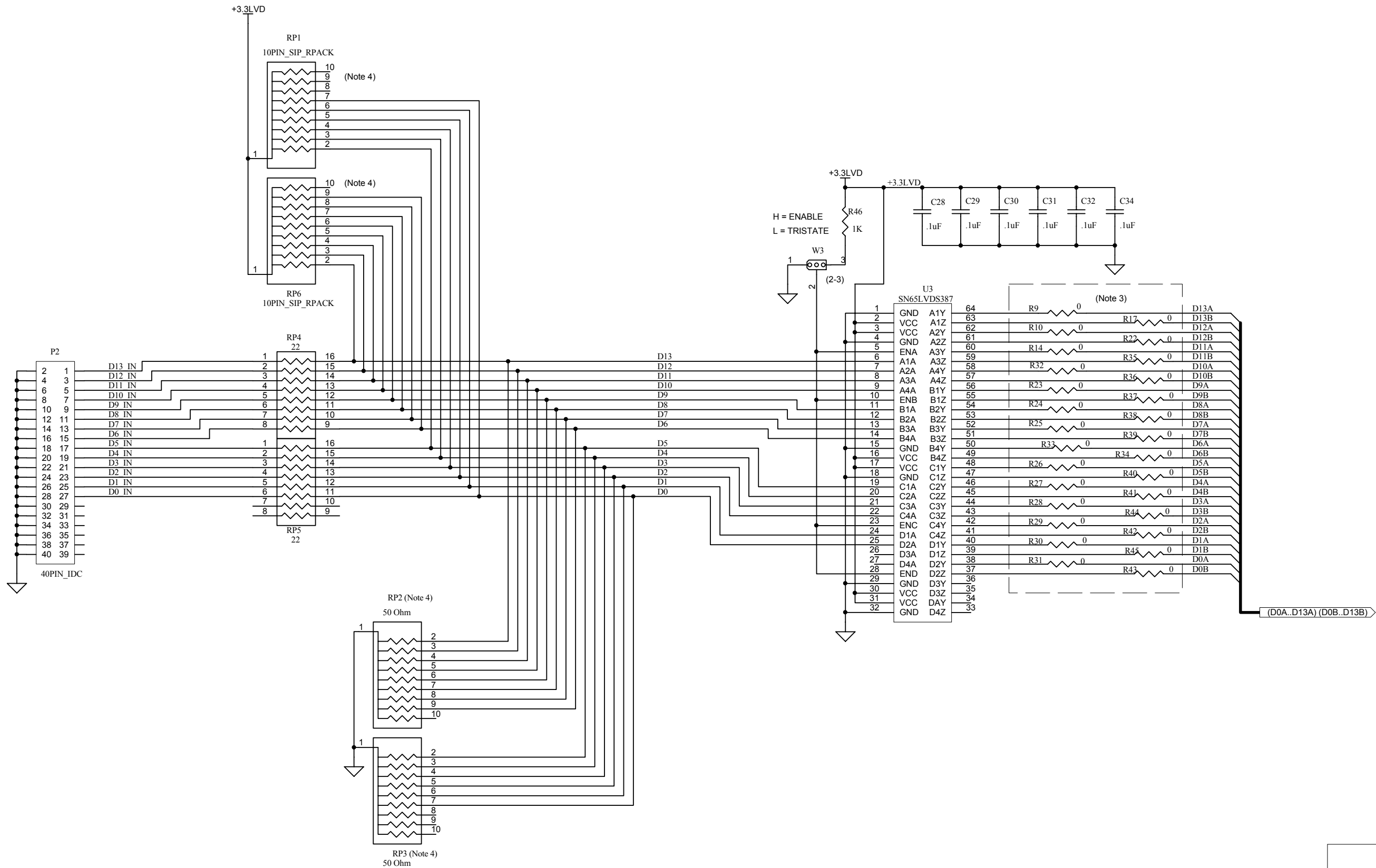


12500 TI Boulevard, Dallas, Texas 75243

Title: DAC5675 SCHEMATIC

Engineer: JIM SETON	DOCUMENTCONTROL # 6435814	REV: B
Drawn By: Y. DEWONCK	DATE: 29-Mar-2005	SIZE: SHEET: 1 OF: 2
FILE: 6435814 REVB SH1.SCH		





NOTE 3: REMOVE 0 OHM RESISTORS WHEN USING P1 FOR INPUT DATA  
 NOTE 4: PART IS NOT INSTALLED



12500 TI Boulevard, Dallas, Texas 75243

Title: DAC5675 SCHEMATIC

Engineer: JIM SETON	DOCUMENTCONTROL # 6435814	REV: B
Drawn By: Y. DEWONCK	DATE: 29-Mar-2005	SIZE: SHEET: 2 OF: 2
FILE:		