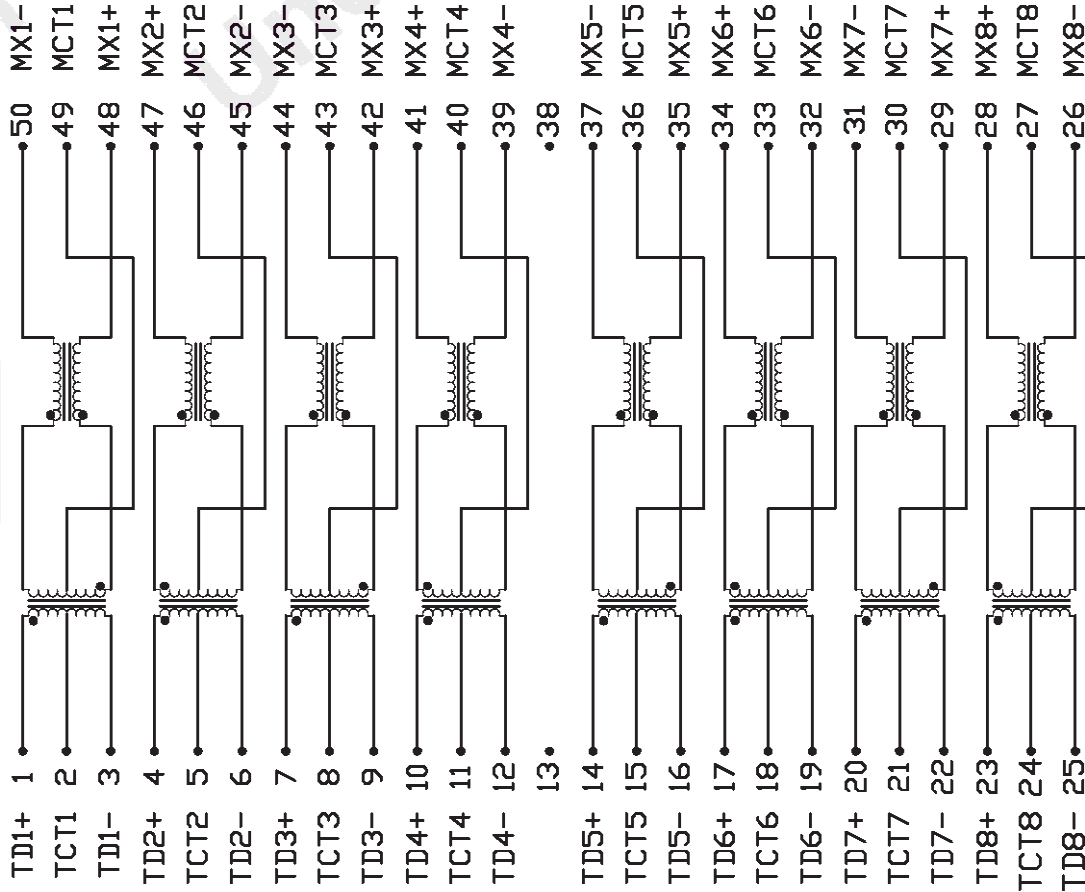


THE INFORMATION CONTAINED HEREIN IS CONSIDERED "PROPRIETARY" TO BEL FUSE INC. AND SHALL NOT BE COPIED, REPRODUCED OR DISCLOSED WITHOUT THE WRITTEN APPROVAL OF BEL FUSE INC.



ELECTRICAL CHARACTERISTICS @ 25°C

SCHEMATIC



TURNS RATIO 1CT : 1CT
 POLARITY PER DOT CONVENTION

DCL 350µH MIN @100KHZ, 100mV
 WITH 8mA DC BIAS
 -40°C TO +85°C
 PINK(1-3), (4-6), (7-9), (10-12)
 PINK(14-16), (17-19), (20-22), (23-25)

INSERTION LOSS 1.0dB MAX @1 TO 100MHZ

FREQ(MHZ)	1-30	40	50	60-80	100
dB MIN	18	14.4	13.1	12	10

RETURN LOSS MEASURED UNDER
 100Ω ENVIRONMENT

DIFFERENTIAL TO COMMON 40dB MIN @30MHZ
 MODE REJECTION 35dB MIN @60MHZ
 30dB MIN @100MHZ

CROSSTALK 40dB MIN @30MHZ
 33dB MIN @60MHZ
 28dB MIN @100MHZ

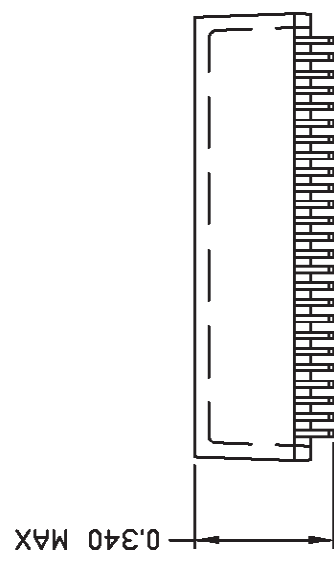
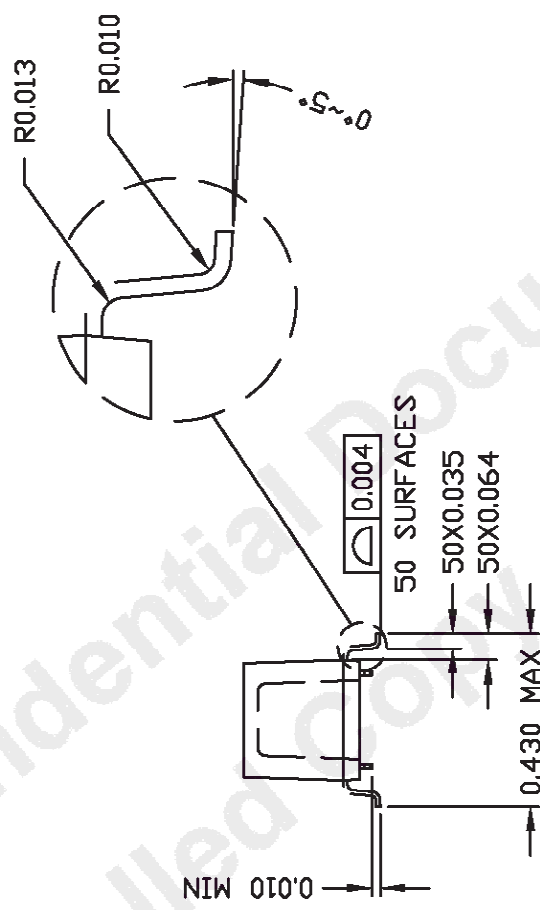
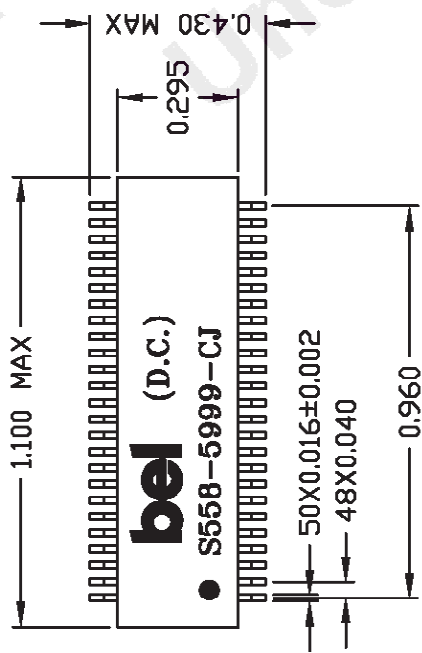
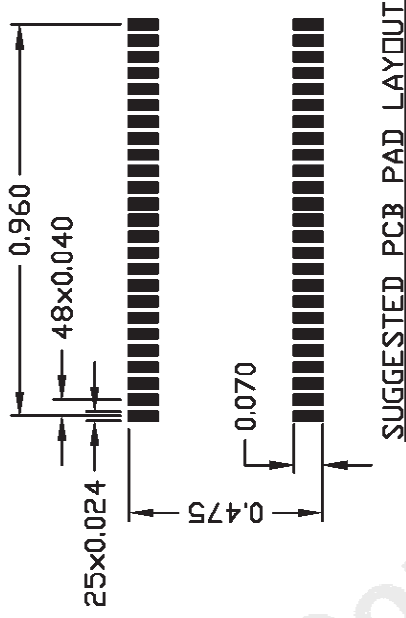
HIPOT 1500Vrms

ORIGINATED BY Alice Pang DRAWN BY ZC Guo DATE 2015-11-27 DATE 2015-11-27	TITLE ELECTRICAL SPECIFICATION	PART NO. / DRAWING NO. S558-5999-CJ FILE NAME S5585999CJB.DWG	STANDARD DIM. [] METRIC DIM. AS REF. TOL. IN INCH .X .XX .XXX	UNIT : INCH [mm] SCALE : N/A 	SIZE : A4
---	--------------------------------	--	--	-------------------------------------	-----------

This document is electronically generated. This is a controlled copy if used internally

THE INFORMATION CONTAINED HEREIN IS CONSIDERED "PROPRIETARY" TO BEL FUSE INC. AND SHALL NOT BE COPIED, REPRODUCED OR DISCLOSED WITHOUT THE WRITTEN APPROVAL OF BEL FUSE INC.

RoHS



NOTES:

1. STANDARD MARKING REFER TO DDC. HAND-WORK-04.
2. PACKAGE CODE: "RUS001".

ORIGINATED BY	DATE	TITLE	PART NO. / DRAWING NO.	STANDARD DIM.	[] METRIC DIM. AS REF.
Lawrence Tsang	2015-11-27	MECHANICAL OUTLINE	S558-5999-CJ	TOL. IN INCH	UNIT : INCH [mm]
DRAWN BY	DATE		FILE NAME	.X	SCALE : N/A
ZC Guo	2015-11-27		S5585999CJB.DWG	.XX	SIZE : A4
				.XXX	±0.005

REV. : B PAGE : 3



This document is electronically generated. This is a controlled copy if used internally

DC002(2)120214