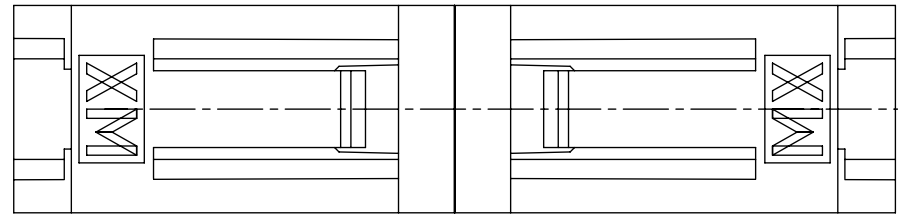
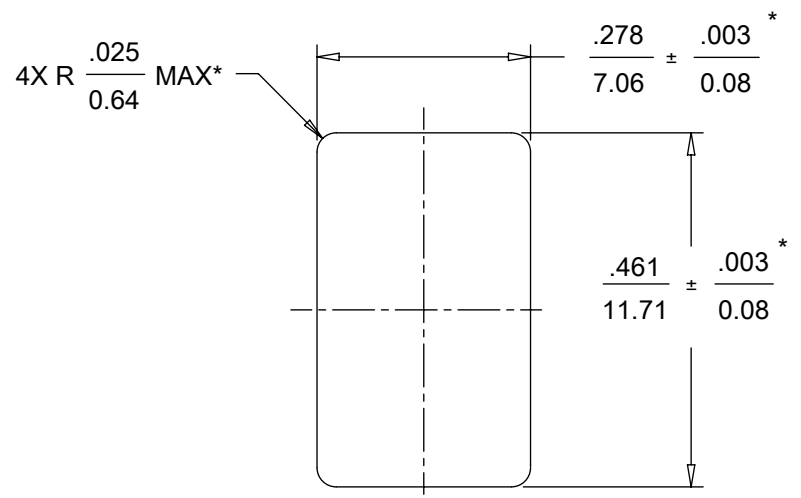
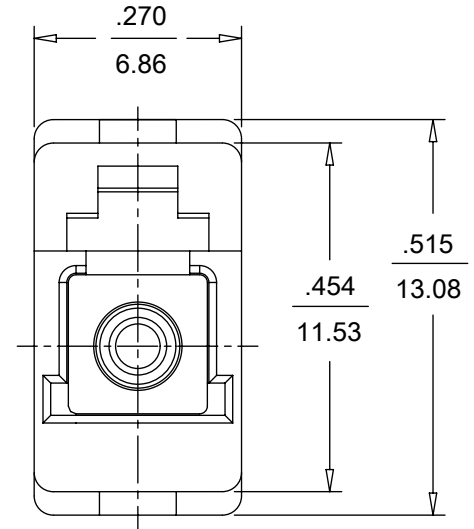
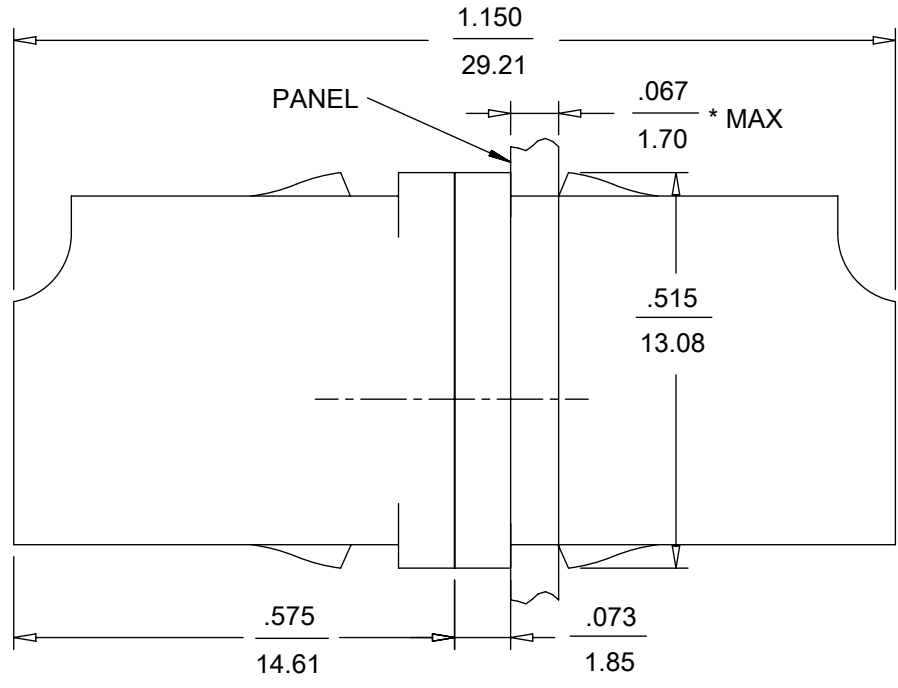


	10	9	8	7	6	5	4	3	2	1
F	ADAPTER P/N	COLOR	SPLIT SLEEVE MATERIAL							
	106124-1100	BLUE	ZIRCONIA - ZrO <sub>2</sub>							
	106124-0110	BEIGE								
	106124-1110	BEIGE								
E	106124-1130	BLACK								



(DUST CAPS ARE NOT SHOWN)



RECOMMENDED PANEL CUTOUT  
 PANEL THICKNESS  $\frac{.067}{1.70}$  MAX.

NOTES:  
 1. ALL DIMENSIONS ARE FOR REFERENCE ONLY, EXCEPT WHEN MARKED WITH (\*).

THIS DRAWING CONTAINS INFORMATION THAT IS PROPRIETARY TO MOLEX ELECTRONIC TECHNOLOGIES, LLC AND SHOULD NOT BE USED WITHOUT WRITTEN PERMISSION									
DIMENSION UNITS	SCALE	CURRENT REV DESC: REMOVED OBSOLETE PART NUMBER AS PER PCN#512063.							
INCH/MM	1:1	<b>molex</b> LC ADAPTER PRODUCT CUSTOMER DRAWING							
GENERAL TOLERANCES (UNLESS SPECIFIED)									
ANGULAR TOL	± 0.5°								
4 PLACES	±								
3 PLACES	±								
2 PLACES	±	EC NO: 713759	2022/08/09	DOCUMENT NUMBER: SD-106124-X1X0 DOC TYPE: PSD DOC PART: 001 REVISION: C1					
1 PLACE	±	DRWN: SUGEEB	2022/10/07						
0 PLACES	±	CHKD: GB	2022/10/07						
		APPR: GB	2022/10/07						
INITIAL REVISION:		2005/10/25		MATERIAL NUMBER: SEE TABLE CUSTOMER: GENERAL MARKET SHEET NUMBER: 1 OF 1					
DRWN: PGIBLIN		2005/10/26							
APPR: IGUMIN									
DRAFT WHERE APPLICABLE MUST REMAIN WITHIN DIMENSIONS		THIRD ANGLE PROJECTION	DRAWING	SERIES					
			B-SIZE	106124					