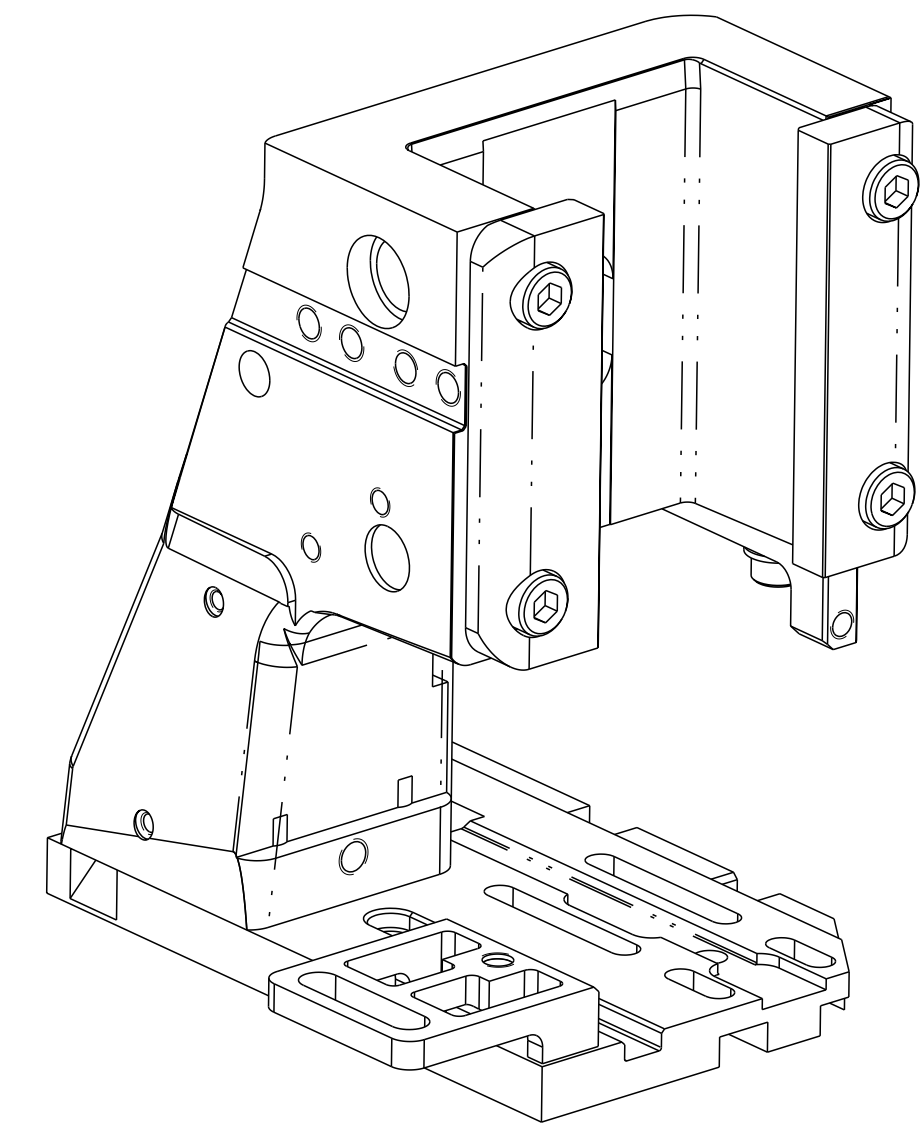
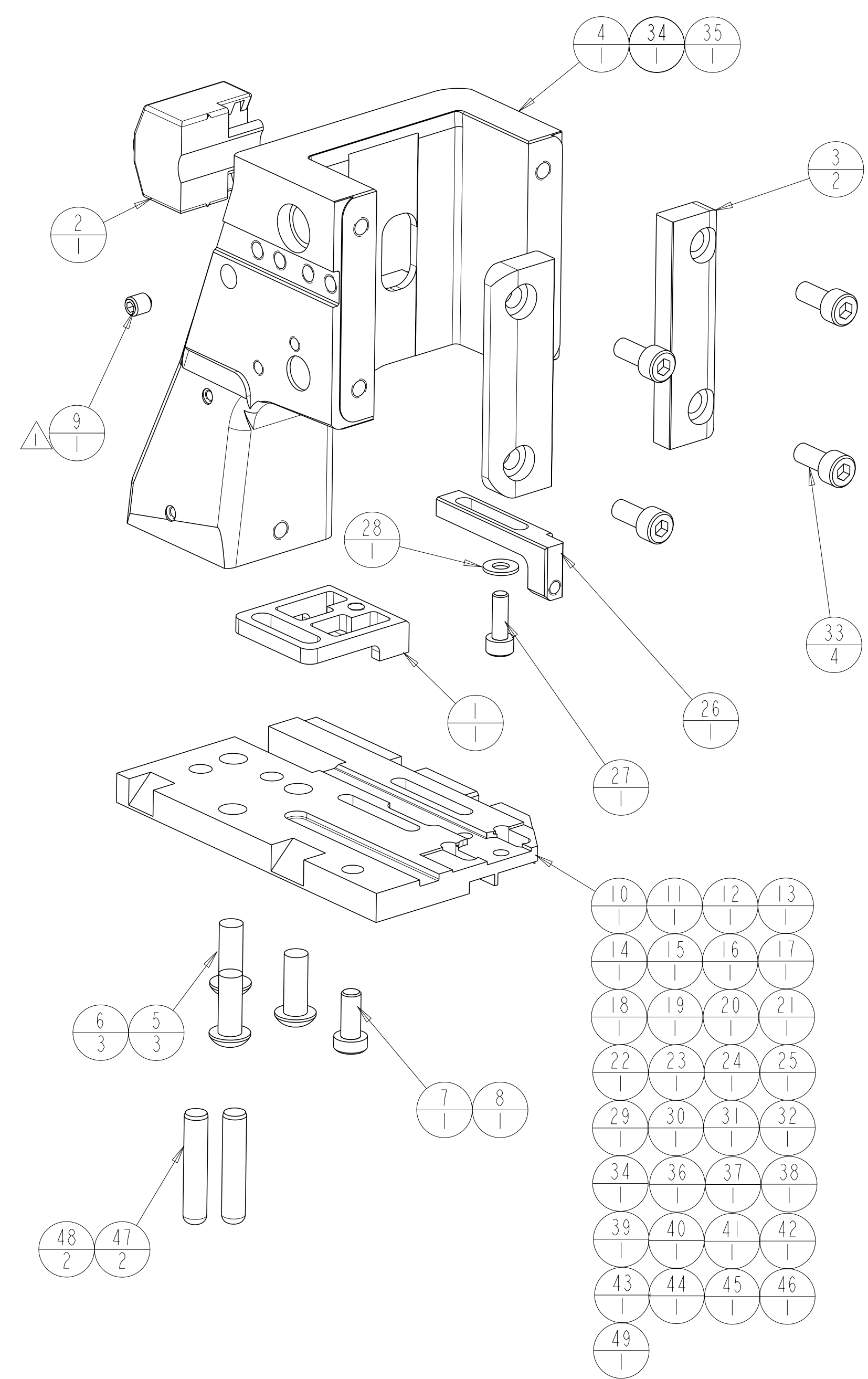


THIS DRAWING IS UNPUBLISHED. RELEASED FOR PUBLICATION
 COPYRIGHT © 2016 TE Connectivity. ALL RIGHTS RESERVED.

REVISIONS				
P.	LY#	DESCRIPTION	DATE	APVD
-	-	SEE SHEET 1	-	-

OCEAN APPLICATOR



THIS DRAWING IS A CONTROLLED DOCUMENT.		OWN: GOPALAKRISHNA HV CHK: T. ELBIN APVD: T. ELBIN	05MAY2016 05MAY2016 05MAY2016		NAME: APPLICATOR BASIC ASSEMBLY, SF		
DIMENSIONS:	TOLERANCES UNLESS OTHERWISE SPECIFIED:	PRODUCT SPEC	APPLICATION SPEC		SIZE: A1	CAGE CODE: -	DRAWING NO: C=2119656
mm	0 PLC ± 1 PLC ± 2 PLC ± 3 PLC ± 4 PLC ±	ANGLE FINISH	WEIGHT	SCALE: 1:1	SHEET: 2	OF: 2	REV: D
MATERIAL:		CUSTOMER DRAWING					