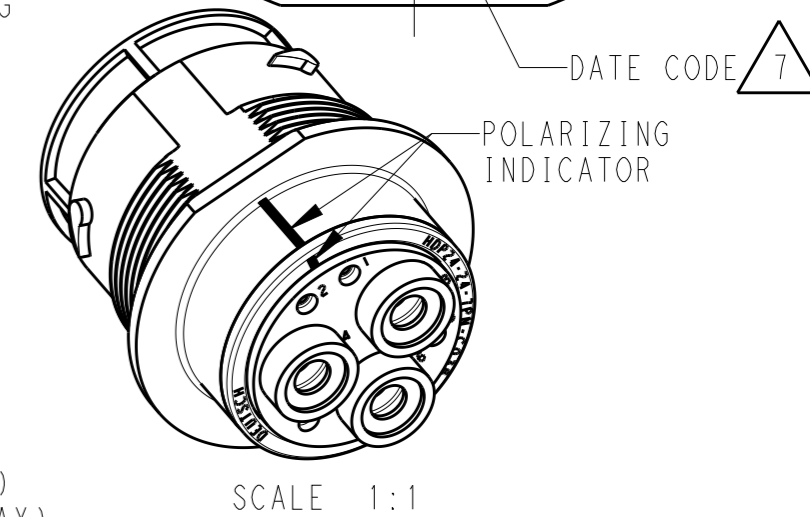
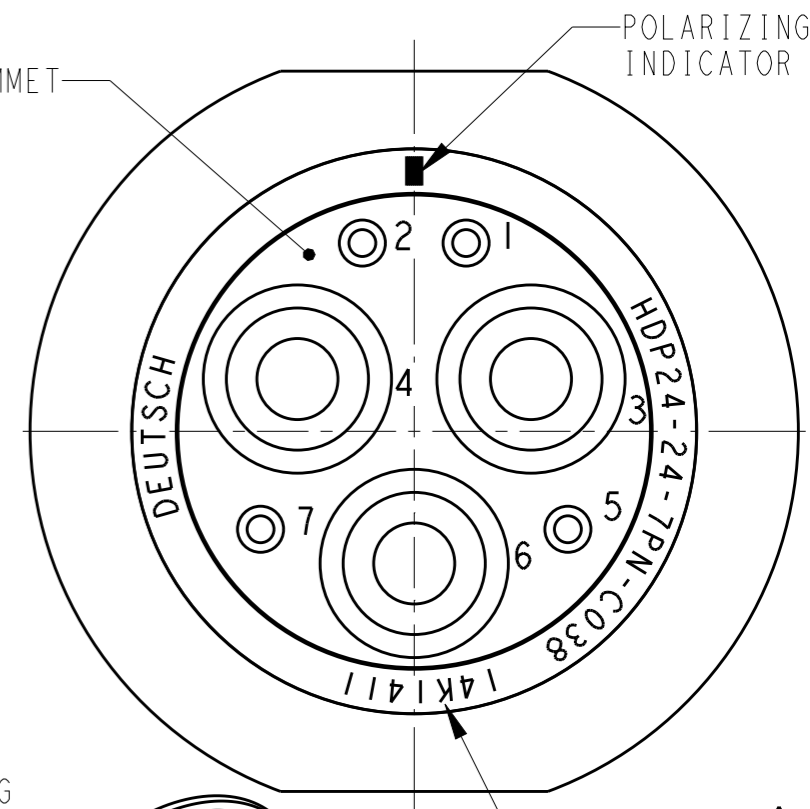
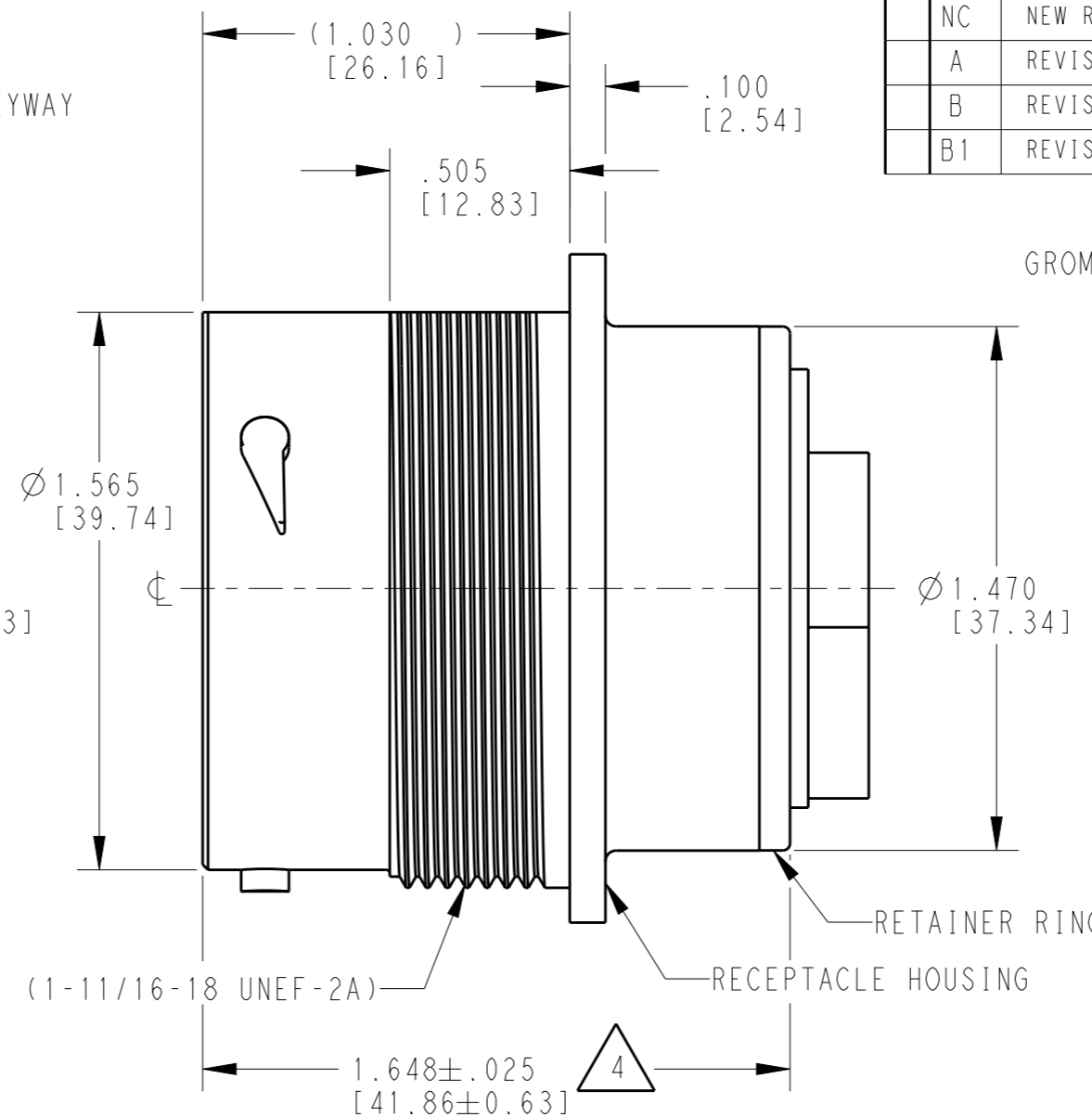
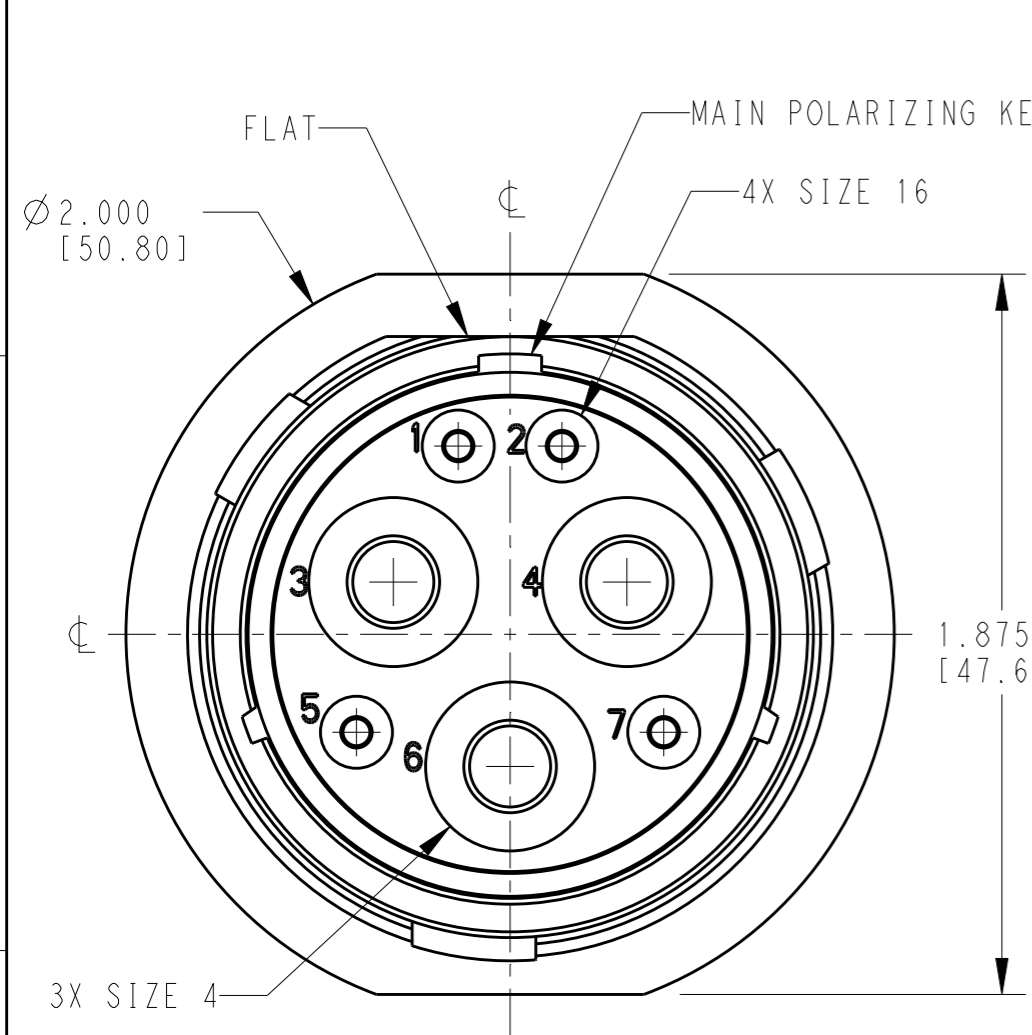


| LOC | DIST | REVISIONS   |                             |           |        |
|-----|------|-------------|-----------------------------|-----------|--------|
| P   | LTR  | DESCRIPTION | DATE                        | DWN       | APVD   |
|     |      | NC          | NEW RELEASE PER E.O. P20485 | 06AUG2010 | IG RDR |
|     |      | A           | REVISED PER E.O. P20776     | 04FEB2011 | JA RDR |
|     |      | B           | REVISED PER ECO-14-019072   | 23FEB2015 | JA DM  |
|     |      | B1          | REVISED PER ECO-16-013285   | 08SEP2016 | DD DM  |



6. PART MODIFICATION:  
 3 SIZE 4: 4 AWG [21.0-25.0 mm<sup>2</sup>] AND 4 SIZE 16.

5. RECEPTACLE IS SUPPLIED WITH DUST CAP (2415-001-2405).

4 NOTED DIMENSION DOES NOT INCLUDE GROMMET PROTRUSION.

3 MATERIAL: RECEPTACLE HOUSING: PA66 GF10 (BLACK)  
 RETAINER RING: PA66 GF10 (GREEN, GRAY, BLUE)  
 GROMMET: SILICONE (ORANGE-RED)

2 SEE 0425-021-0000 APPLICATION SPECIFICATION  
 A. RECOMMENDED WIRE INSULATION RANGE  
 B. CONTACT REMOVAL TOOLS  
 C. RECOMMENDED MOUNTING HOLE & PANEL THICKNESS  
 D. MOUNTING HARDWARE & MOUNTING TORQUE.

1. THIS RECEPTACLE MATES WITH HDP26-24-7SX-XXXX PLUG  
 X = SEAL TYPE (N,T,E)  
 XXXX = MODIFICATION

7 DATE CODE: IDENTIFIES THE YEAR, MONTH, DAY AND HOUR OF ASSEMBLY.  
 YEAR: FIRST AND SECOND DIGITS. (14 = 2014)  
 MONTH: THRID DIGIT, EXCLUDING I. A = JAN., B = FEB., C = MARCH... (K = OCTOBER)  
 DAY: FOURTH AND FIFTH DIGITS (14 = 14th DAY)  
 HOUR: SIXTH AND SEVENTH DIGITS (11 = 11AM)

|                   |                   |
|-------------------|-------------------|
| TE INTERNAL PN    | DEUTSCH PN        |
| HDP24-24-7PN-C038 | HDP24-24-7PN-C038 |

|  |  |                                     |   |                               |
|--|--|-------------------------------------|---|-------------------------------|
| THIS DRAWING IS A CONTROLLED DOCUMENT. |  | DWN 01APR2010<br>ILINA GRANICHAROVA | TE Connectivity   |                               |
| DIMENSIONS: INCHES [mm]                |  | CHK 21JUL2010<br>JAIME C. APOSTOL   |   |                               |
| TOLERANCES UNLESS OTHERWISE SPECIFIED: |  | APVD 12JUL2010<br>STEVE BEARD       | NAME RECEPTACLE, THREADED SIZE 24, -C038 MOD HDP SERIES |                               |
| 0 PLC ±                                |  | PRODUCT SPEC 0425-021-0000          | SIZE A3   |                               |
| 1 PLC ±                                |  | APPLICATION SPEC 2                  | CAGE CODE 4AFU8   | DRAWING NO. HDP24-24-7PN-C038 |
| 2 PLC ±                                |  | WEIGHT 48.28g                       | RESTRICTED TO -   |                               |
| 3 PLC ±.015 [0.38]                     |  | Customer Drawing                    | SCALE 2:1   | SHEET 1 OF 1                  |
| 4 PLC ±                                |  |                                     | REV B1  |                               |
| ANGLES ±0°30'0"                        |  |                                     |   |                               |
| FINISH N/A                             |  |                                     |   |                               |