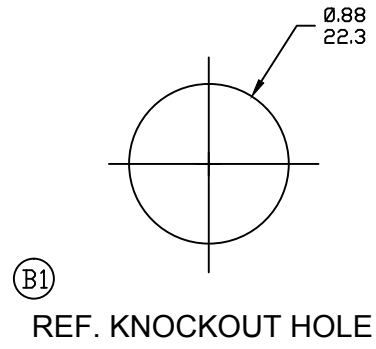


(B1) CHART

PART NO.	ENGINEERING NO.	FINISHED LENGTH
1300150117	3R9004A20A120	12IN
1300150029	3R1004A20F020	2.0FT
1300150070	3R2004A20M005	0.5M

- NOTES:
- MATERIAL: AS NOTED
 - FINISH: AS NOTED
 - ELECTRICAL:
 - VOLTAGE: 320V PER IEC60664
600V PER UL2238
 - CURRENT: 9 POLE: 7A
10 POLE: 7A
12 POLE: 5A
 - TEMP RATING: -20°TO +105°C
 - PROTECTION: IP67 (WHEN MATED)
 - UL RECOGNIZED, FILE: E152210
 - DIMS ARE FOR REFERENCE UNLESS OTHERWISE NOTED



PART NUMBER LEGEND

3R1004A20F0101

COUPLING: BLANK= STD (SEE BOM)
1= 303 STAINLESS ST.

LENGTH:
 A120= 12 INCHES
 F001= .1 FT
 F020= 2 FT
 F200= 20 FT

M005= 0.5 METER
 M010= 1 METER
 M100= 10 METER

POLES
 9= 9 POLES
 1=10 POLES
 2=12 POLES

(B1) CABLE LENGTH TOLERANCES

>.3M [1FT]: +19mm-0 [+1.75in-0]
.3 - .9M [1 - 3FT]: +44.5mm-0 [+1.75in-0]
.9 - 1.8M [3 - 6FT]: +55.6mm-0 [+2.19in-0]
1.8 - 3.7M [6 - 12FT]: +88.9mm-0 [+3.50in-0]
3.7 - 7.3M [12 - 24FT]: +165.1mm-0 [+6.50in-0]
7.3-14.6M [24 - 48FT]: +317.5mm-0 [+12.50in-0]
14.6 - 30.5M [48-100FT]: +622.3mm-0 [+24.50in-0]
OVER 30M [100FT] +2% OF FINISHED LENGTH

ITEM	DESCRIPTION	MATERIAL	FINISH
6	FLAG LABEL	VINYL	BLACK/YELLOW
5	POTTING MATERIAL	EPOXY	
4	WIRE, 16 AWG UL (1015)	PVC INSULATION	SEE CHART
3	CONTACT SOCKET	COPPER ALLOY	GOLD PLATED
2	FEMALE INSERT (C-SIZE)	PVC	YELLOW
1	RECEPTACLE SHELL	ZINC DIE-CAST	BLACK

REVD IEC VOLTS; ADD UL FILE, CHART & TOOLS EC NO: IPG2017-1018 DRWN: RSTONE 5/11/17 CHKD: M ZIELIN 2017/05/08 APPR: BWOODMAN 2016/08/19	DESCRIPTION REV B1	QUALITY SYMBOLS	GENERAL TOLERANCES (UNLESS SPECIFIED)	DIMENSION STYLE	SCALE	DESIGN UNITS	THIRD ANGLE PROJECTION															
		$\nabla=0$ $\sphericalangle=0$	<table border="1" style="width: 100%; border-collapse: collapse;"> <thead> <tr> <th></th> <th>mm</th> <th>INCH</th> </tr> </thead> <tbody> <tr> <td>4 PLACES</td> <td>±---</td> <td>±---</td> </tr> <tr> <td>3 PLACES</td> <td>±---</td> <td>±---</td> </tr> <tr> <td>2 PLACES</td> <td>±---</td> <td>±---</td> </tr> <tr> <td>1 PLACE</td> <td>±---</td> <td>±---</td> </tr> </tbody> </table>		mm	INCH	4 PLACES	±---	±---	3 PLACES	±---	±---	2 PLACES	±---	±---	1 PLACE	±---	±---	IN/MM	---	INCH	
			mm	INCH																		
		4 PLACES	±---	±---																		
3 PLACES	±---	±---																				
2 PLACES	±---	±---																				
1 PLACE	±---	±---																				
	DRAFT WHERE APPLICABLE MUST REMAIN WITHIN DIMENSIONS	<table border="1" style="width: 100%; border-collapse: collapse;"> <thead> <tr> <th>DRAWN BY</th> <th>DATE</th> </tr> </thead> <tbody> <tr> <td>RSTONE</td> <td>2016/07/11</td> </tr> <tr> <th>CHECKED BY</th> <th>DATE</th> </tr> <tr> <td>K COX</td> <td>2016/12/15</td> </tr> <tr> <th>APPROVED BY</th> <th>DATE</th> </tr> <tr> <td>TWOLDEGE</td> <td>2016/08/19</td> </tr> </tbody> </table>	DRAWN BY	DATE	RSTONE	2016/07/11	CHECKED BY	DATE	K COX	2016/12/15	APPROVED BY	DATE	TWOLDEGE	2016/08/19	TITLE							
DRAWN BY	DATE																					
RSTONE	2016/07/11																					
CHECKED BY	DATE																					
K COX	2016/12/15																					
APPROVED BY	DATE																					
TWOLDEGE	2016/08/19																					
						MOLEX INCORPORATED																
						DOCUMENT NO. SD-130015-026	SHEET NO. 1 OF 1															
						THIS DRAWING CONTAINS INFORMATION THAT IS PROPRIETARY TO MOLEX INCORPORATED AND SHOULD NOT BE USED WITHOUT WRITTEN PERMISSION																