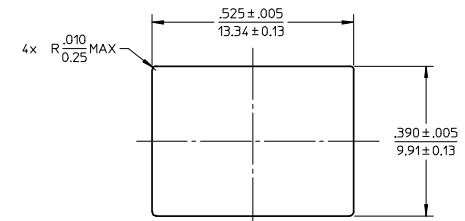
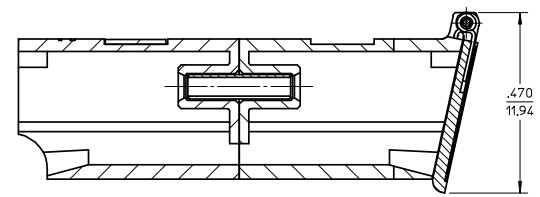
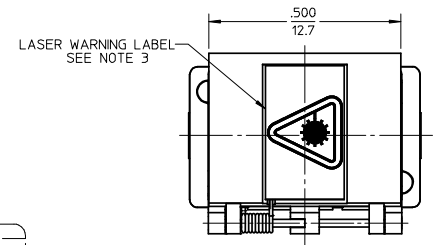
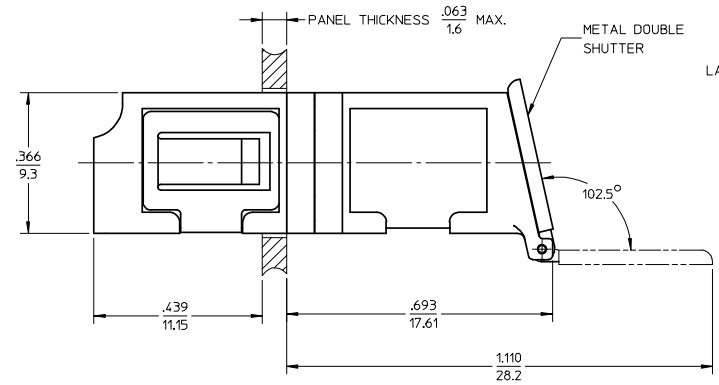
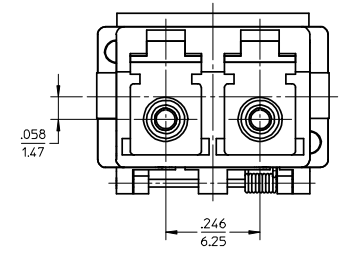


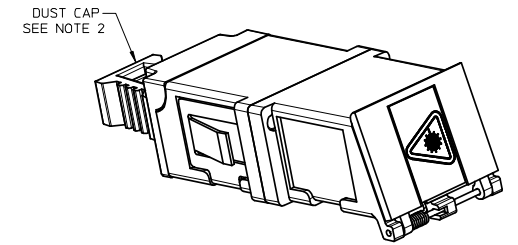
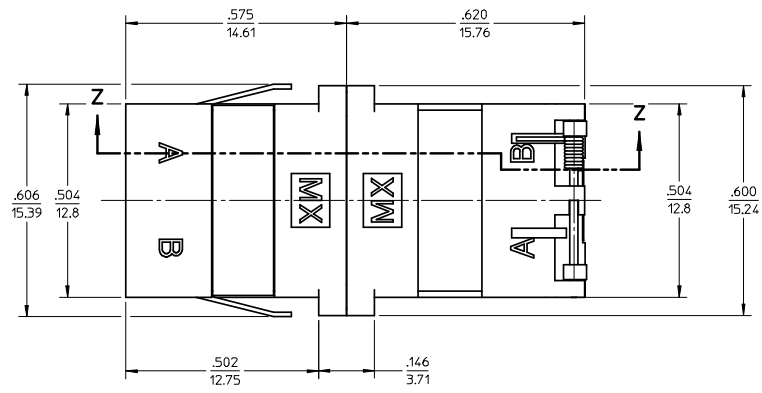
LC ADAPTER P/N	COLOR	SPLIT SLEEVE MATERIAL
106127-1407	BLUE	ZR
106127-1408	BEIGE	PH. BRONZE
106127-1421	GREEN	ZR



RECOMMENDED MOUNTING CUTOUT  
 PANEL THICKNESS .063"/1.6 mm MAX.



SECTION Z-Z

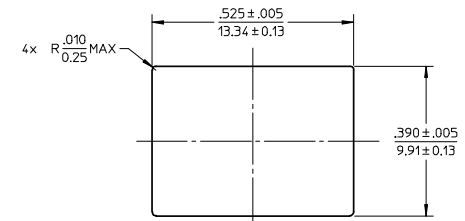


ISO VIEW  
 SCALE 3:1

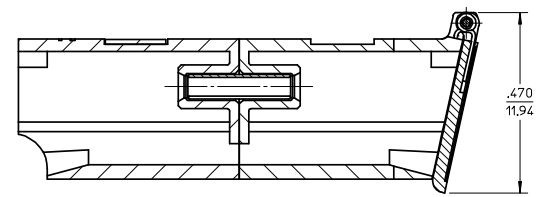
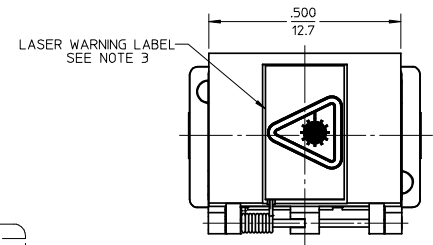
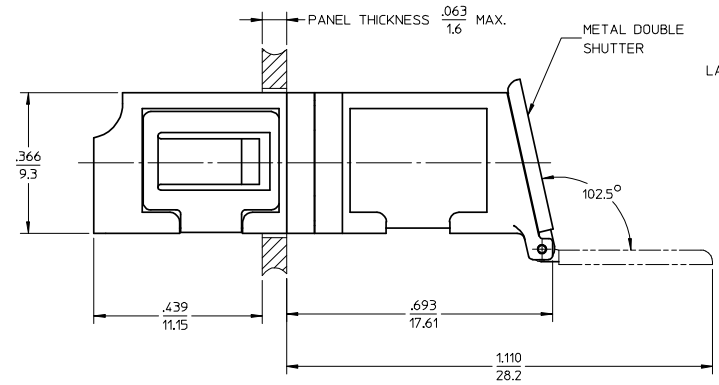
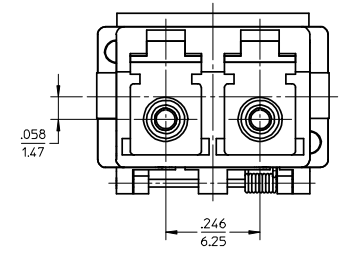
- NOTES:
1. ALL DIMENSIONS ARE FOR REFERENCE.
  2. DUST CAP SHOWN IN ISO VIEW ONLY.
  3. P/N 106127-1403 SHALL BE BULK PACKED IN QUANTITY OF 100 PCS.
  4. FOR P/N 106127-1404 LASER WARNING LABEL IS SUPPLIED UNATTACHED WITH ADAPTER AND SHALL BE INSTALLED BY CUSTOMER.

ENTER DESCRIPTION EC NO: MF2008-0325 DRWN: IGUMIN 2008/02/13 CHKD: 2008/02/13 APPR: IGUMIN 2008/02/13 REV: A1	QUALITY SYMBOLS ▽=0 ▽=0	GENERAL TOLERANCES (UNLESS SPECIFIED) <table border="1"> <thead> <tr> <th></th> <th>mm</th> <th>INCH</th> </tr> </thead> <tbody> <tr> <td>4 PLACES</td> <td>± ---</td> <td>± ---</td> </tr> <tr> <td>3 PLACES</td> <td>± ---</td> <td>± ---</td> </tr> <tr> <td>2 PLACES</td> <td>± ---</td> <td>± ---</td> </tr> <tr> <td>1 PLACE</td> <td>± ---</td> <td>± ---</td> </tr> </tbody> </table>		mm	INCH	4 PLACES	± ---	± ---	3 PLACES	± ---	± ---	2 PLACES	± ---	± ---	1 PLACE	± ---	± ---	DIMENSION STYLE IN/MM DRAWN BY: IGUMIN DATE: 2008/02/11 CHECKED BY: DATE:	SCALE: 4:1 DESIGN UNITS: INCH THIRD ANGLE PROJECTION
		mm	INCH																
	4 PLACES	± ---	± ---																
	3 PLACES	± ---	± ---																
2 PLACES	± ---	± ---																	
1 PLACE	± ---	± ---																	
DRAFT WHERE APPLICABLE MUST REMAIN WITHIN DIMENSIONS	MATERIAL NO. SEE TABLE	APPROVED BY: IGUMIN DATE: 2008/02/11 DOCUMENT NO. SD-106127-14XX	TITLE: LC DUPLEX ADAPTER, METAL DOUBLE SHUTTER SMALL FLANGE, SNAP MOUNT	SHEET NO. 1 OF 1															
THIS DRAWING CONTAINS INFORMATION THAT IS PROPRIETARY TO MOLEX INCORPORATED AND SHOULD NOT BE USED WITHOUT WRITTEN PERMISSION																			

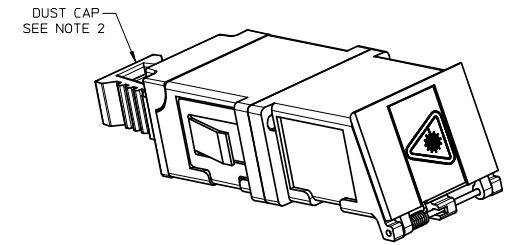
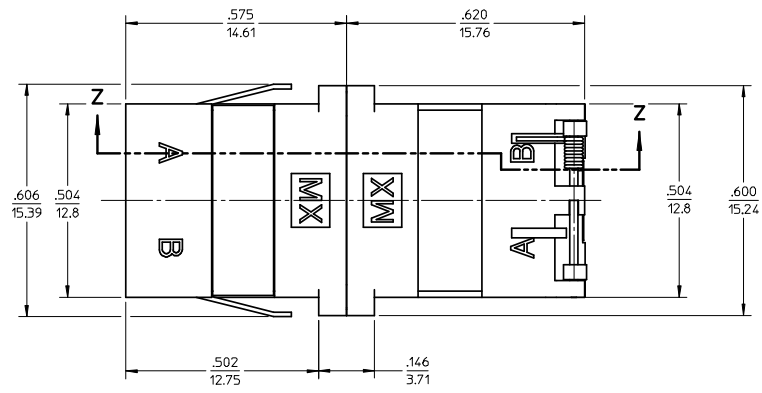
LC ADAPTER P/N	COLOR	SPLIT SLEEVE MATERIAL
106127-1407	BLUE	ZR
106127-1408	BEIGE	PH. BRONZE
106127-1421	GREEN	ZR



RECOMMENDED MOUNTING CUTOUT  
 PANEL THICKNESS .063"/1.6 mm MAX.



SECTION Z-Z



ISO VIEW  
 SCALE 3:1

- NOTES:
1. ALL DIMENSIONS ARE FOR REFERENCE.
  2. DUST CAP SHOWN IN ISO VIEW ONLY.
  3. P/N 106127-1403 SHALL BE BULK PACKED IN QUANTITY OF 100 PCS.
  4. FOR P/N 106127-1404 LASER WARNING LABEL IS SUPPLIED UNATTACHED WITH ADAPTER AND SHALL BE INSTALLED BY CUSTOMER.

ENTER DESCRIPTION EC NO: MF2008-0325 DRWN: IGUMIN 2008/02/13 CHKD: 2008/02/13 APPR: IGUMIN 2008/02/13 REV: A1	QUALITY SYMBOLS ▽=0 ▽=0	GENERAL TOLERANCES (UNLESS SPECIFIED) <table border="1"> <thead> <tr> <th></th> <th>mm</th> <th>INCH</th> </tr> </thead> <tbody> <tr> <td>4 PLACES</td> <td>± ---</td> <td>± ---</td> </tr> <tr> <td>3 PLACES</td> <td>± ---</td> <td>± ---</td> </tr> <tr> <td>2 PLACES</td> <td>± ---</td> <td>± ---</td> </tr> <tr> <td>1 PLACE</td> <td>± ---</td> <td>± ---</td> </tr> </tbody> </table>		mm	INCH	4 PLACES	± ---	± ---	3 PLACES	± ---	± ---	2 PLACES	± ---	± ---	1 PLACE	± ---	± ---	DIMENSION STYLE IN/MM DRAWN BY: IGUMIN DATE: 2008/02/11 CHECKED BY: DATE:	SCALE: 4:1 DESIGN UNITS: INCH THIRD ANGLE PROJECTION
		mm	INCH																
	4 PLACES	± ---	± ---																
	3 PLACES	± ---	± ---																
2 PLACES	± ---	± ---																	
1 PLACE	± ---	± ---																	
DRAFT WHERE APPLICABLE MUST REMAIN WITHIN DIMENSIONS	MATERIAL NO. SEE TABLE SIZE: C	APPROVED BY: IGUMIN DATE: 2008/02/11 DOCUMENT NO. SD-106127-14XX SHEET NO. 1 OF 1	MOLEX INCORPORATED																
THIS DRAWING CONTAINS INFORMATION THAT IS PROPRIETARY TO MOLEX INCORPORATED AND SHOULD NOT BE USED WITHOUT WRITTEN PERMISSION																			