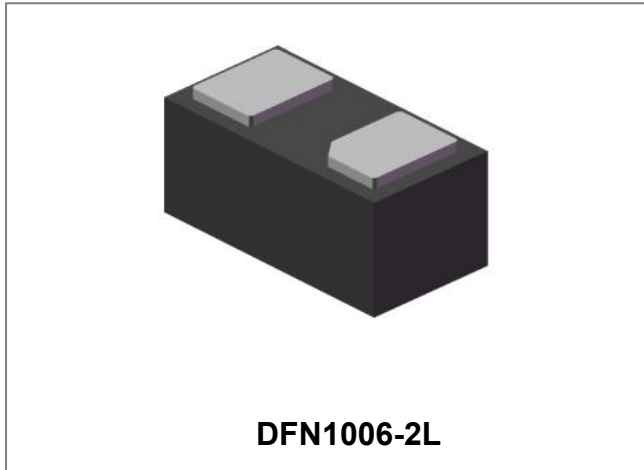


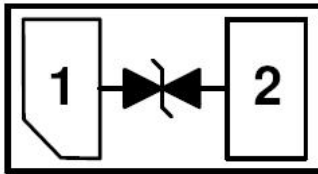
ESD133C Transient Voltage Suppressor



Features

- ESD Protection for 1 Line with Bi-directional
- Provide ESD protection for the protected line to IEC 61000-4-2 (ESD) $\pm 15\text{kV}$ (contact)
- Suitable for, 33V and below, operating voltage applications
- Protect one I/O line or power line
- Fast turn-on and low clamping voltage
- Solid-state silicon-avalanche and active circuit triggering technology
- This is a Halogen Free Device

Circuit Diagram



Applications

- Cellular Handsets and Accessories
- Small Pane Modules
- Control Signal Line Protection
- Power Line Protection
- Portable Devices
- Touch Panels
- Notebooks and Handhelds
- Peripherals

Mechanical Characteristics

- DFN1006-2L package
- Marking : Marking Code
- RoHS Compliant

Maximum Ratings

Characteristics	Symbol	Max.	Units
pin-1 to pin-2 ESD per IEC 61000-4-2(Contact)	V_{ESD-1}	± 15	KV
Lead Soldering Temperature	T_{SOL}	260(10 sec.)	$^{\circ}\text{C}$
Operating Temperature	T_{OP}	-55 to +85	$^{\circ}\text{C}$
Storage Temperature	T_{STO}	-55 to +150	$^{\circ}\text{C}$

Electrical Characteristics(T=25°C unless otherwise specified)

Characteristics	Symbol	Condition	Min.	Typ.	Max.	Units
Reverse Stand-Off Voltage	V_{RWM}	T=25°C	-33	-	33	V
Reverse Breakdown Voltage	V_{BV}	$I_{BV}=1mA, T=25°C$	35	36	42	V
Reverse Leakage Current	I_R	$V_{RWM}=\pm 33V, T=25°C$	-	0.001	1	uA
Clamping Voltage	V_C	$I_{PP}=4A, t_p=8/20\mu s, T=25°C$	-	57	60	V
Diode Capacitance	C_d	$V_R=0V, f=1MHz, T=25°C$	-	12	20	pF

Ratings and Characteristics Curves

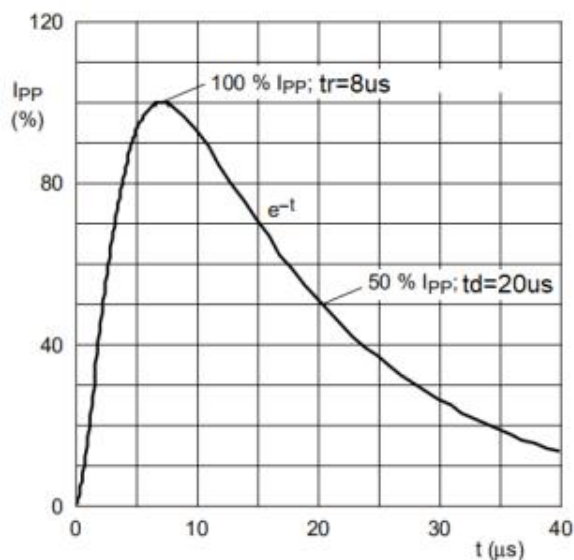


Fig. 1 8/20us Pulse Waveform

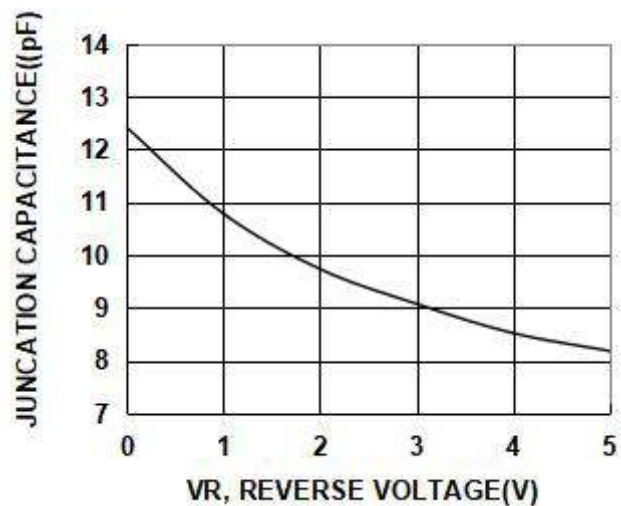


Fig. 2 Typical Capacitance vs. Reverse Voltage

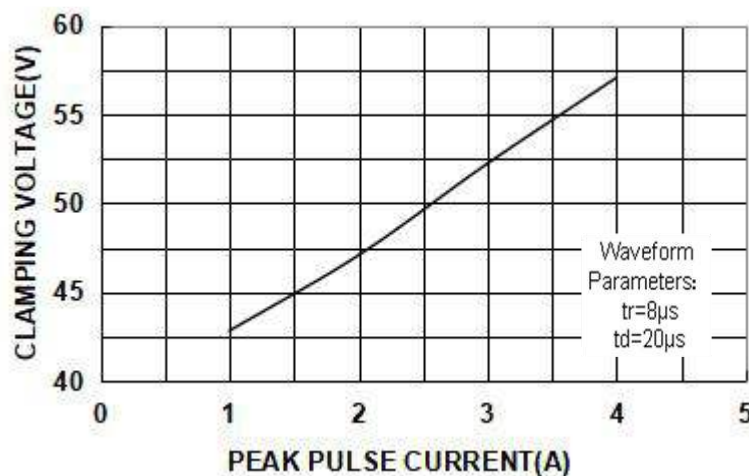


Fig. 3 Typical Clamping Voltage vs. Peak Pulse Current

Ordering Information:

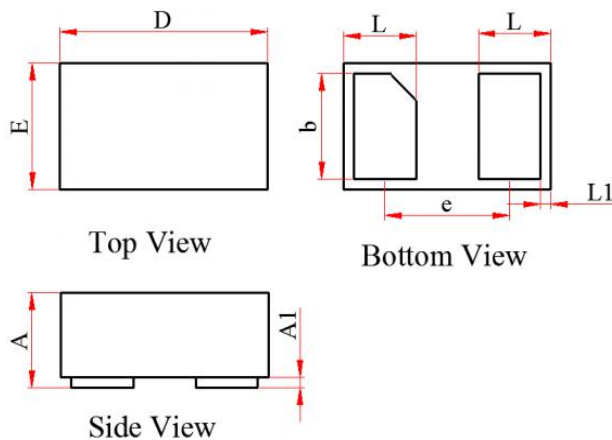
Device	Package	Shipping
ESD133C	DFN1006-2L	10000pcs/ reel

For information on tape and reel specifications, including part orientation and tape sizes, please refer to our tape and reel packaging specification.

Marking Diagram


33C = Marking code

Notes: ESD133C is printed in the direction of 1 for reference.

Mechanical Dimensions


Symbol	Dimension In Millimeters			Dimension In Inches		
	Normal	Min	Max	Normal	Min	Max
A	--	0.400	0.500	--	0.016	0.020
A1	--	--	0.075	--	--	0.003
D	1.000	0.950	1.050	0.039	0.037	0.041
E	0.600	0.550	0.650	0.024	0.022	0.026
b	0.500	0.450	0.550	0.020	0.018	0.022
L	0.350	0.300	0.400	0.014	0.012	0.016
L1	0.050 REF			0.002 REF		
e	0.600 BSC			0.024 BSC		

DISCLAIMER:

- 1- The information given herein, including the specifications and dimensions, is subject to change without prior notice to improve product characteristics. Before ordering, purchasers are advised to contact the SMC Diode Solutions sales department for the latest version of the datasheet(s).
- 2- In cases where extremely high reliability is required (such as use in nuclear power control, aerospace and aviation, traffic equipment, medical equipment, and safety equipment), safety should be ensured by using semiconductor devices that feature assured safety or by means of users' fail-safe precautions or other arrangement.
- 3- In no event shall SMC Diode Solutions be liable for any damages that may result from an accident or any other cause during operation of the user's units according to the datasheet(s). SMC Diode Solution assumes no responsibility for any intellectual property claims or any other problems that may result from applications of information, products or circuits described in the datasheets.
- 4- In no event shall SMC Diode Solutions be liable for any failure in a semiconductor device or any secondary damage resulting from use at a value exceeding the absolute maximum rating.
- 5- No license is granted by the datasheet(s) under any patents or other rights of any third party or SMC Diode Solutions.
- 6- The datasheet(s) may not be reproduced or duplicated, in any form, in whole or part, without the expressed written permission of SMC Diode Solutions.
- 7- The products (technologies) described in the datasheet(s) are not to be provided to any party whose purpose in their application will hinder maintenance of international peace and safety nor are they to be applied to that purpose by their direct purchasers or any third party. When exporting these products (technologies), the necessary procedures are to be taken in accordance with related laws and regulations..