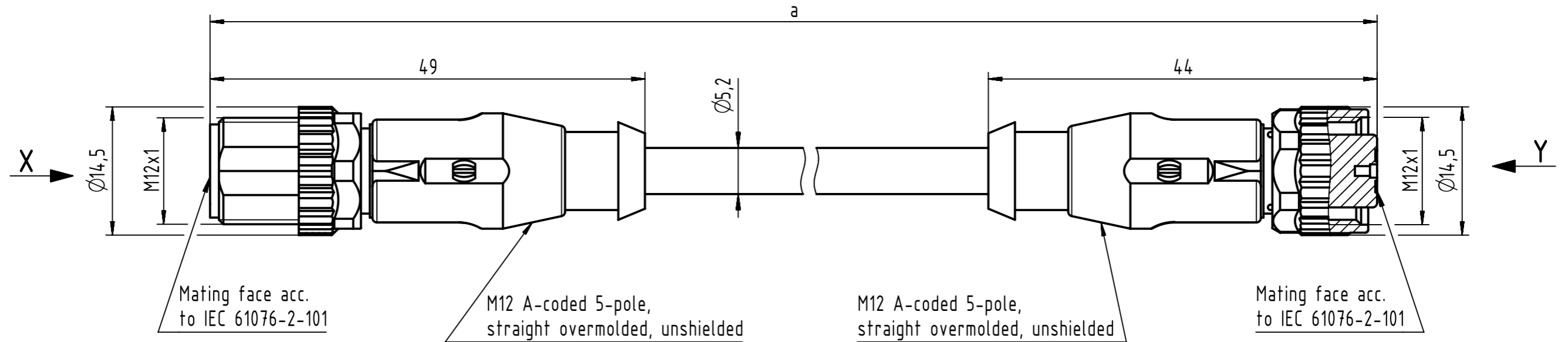


Connector Location A

Connector Location B



Mating face acc. to IEC 61076-2-101

M12 A-coded 5-pole, straight overmolded, unshielded

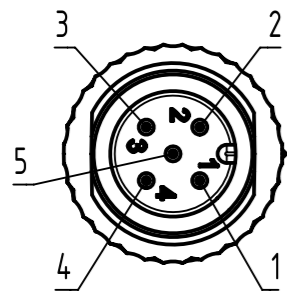
M12 A-coded 5-pole, straight overmolded, unshielded

Mating face acc. to IEC 61076-2-101

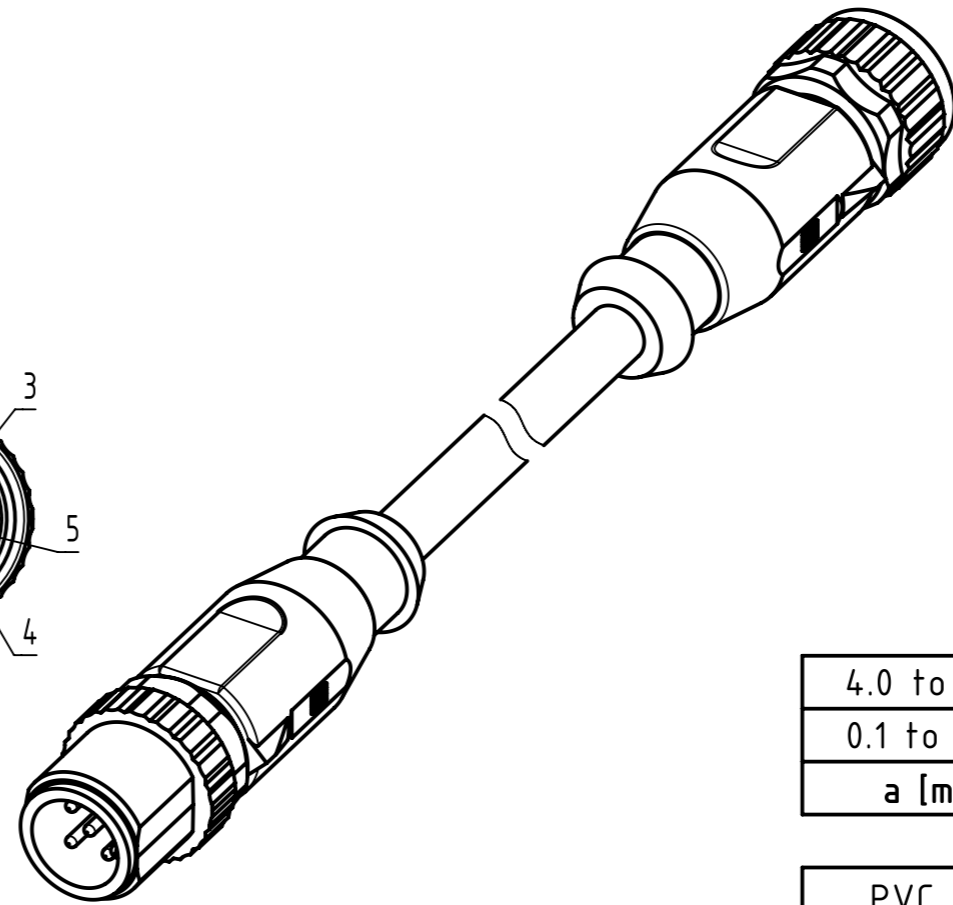
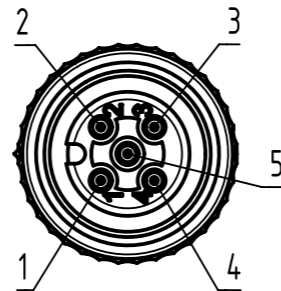
X male

Loading-Plan

Y female



- 1 brown 1
- 2 white 2
- 3 blue 3
- 4 black 4
- 5 green-yellow 5



length in "1m" step	40	XXX=400
	39	XXX=390
	.	.
	12	XXX=120
	11	XXX=110
length in "0.1m" step	10	XXX=100
	9.9	XXX=099
	9.8	XXX=098
	.	.
	0.4	XXX=004
	0.3	XXX=003
	0.2	XXX=002
	0.1	XXX=001
Step	a [m]	XXX

4.0 to 40	±1%
0.1 to 3.9	+0.04
a [m]	Tolerance

PVC grey, 5x0.34mm ²	21348485585XXX
Type of cable	Part no.

- Protection level: IP67
- Temperature range: -25°C ... +80°C

	All rights reserved	Created by STOCHECIC Stocheci	Inspected by COSTEA Costea	Standardisation MUNTEANV Muntean	Date 2018-12-14	State Final Release	
	Department HCS - RO	Title M12 Cable Assembly A-cod st/st m/f				Doc-Key / ECM-Nr. 100578788/UGD/009/D 500000144869	
HARTING Customised Solutions D-32339 Espelkamp		Type TB	Number 21348485585XXX			Rev. D	Page 1/1