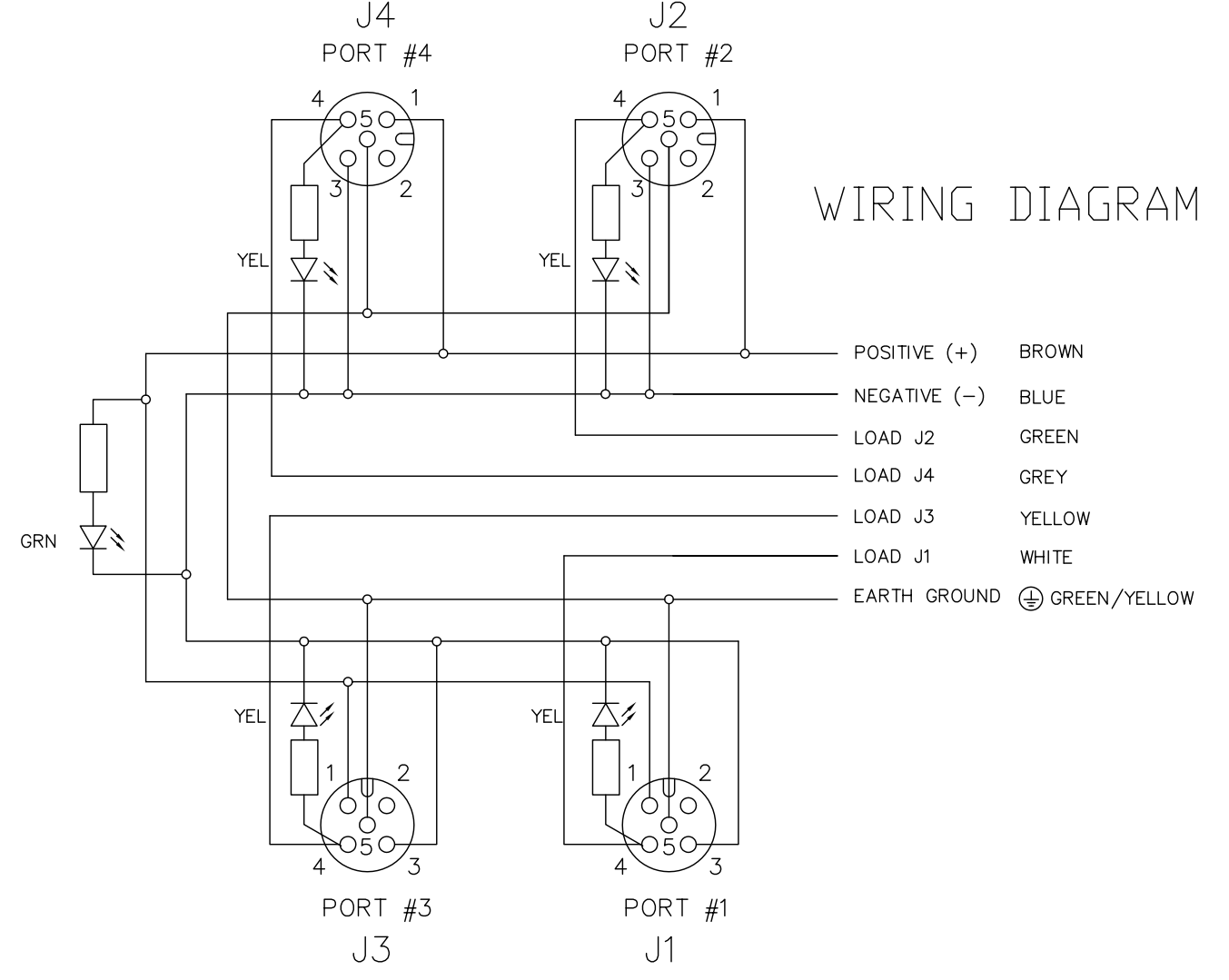
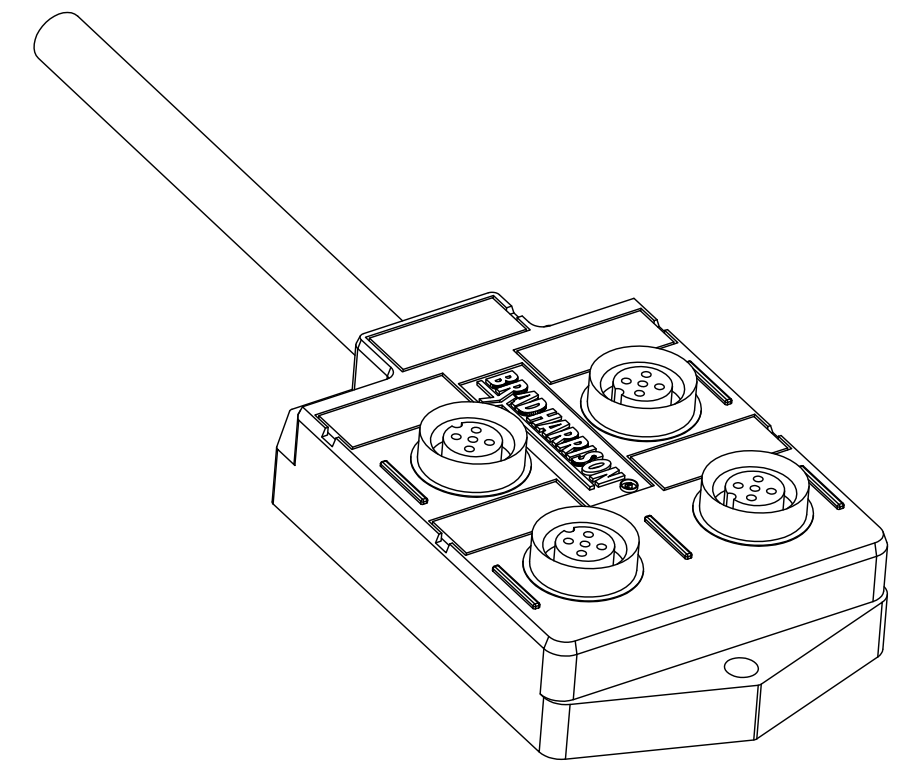
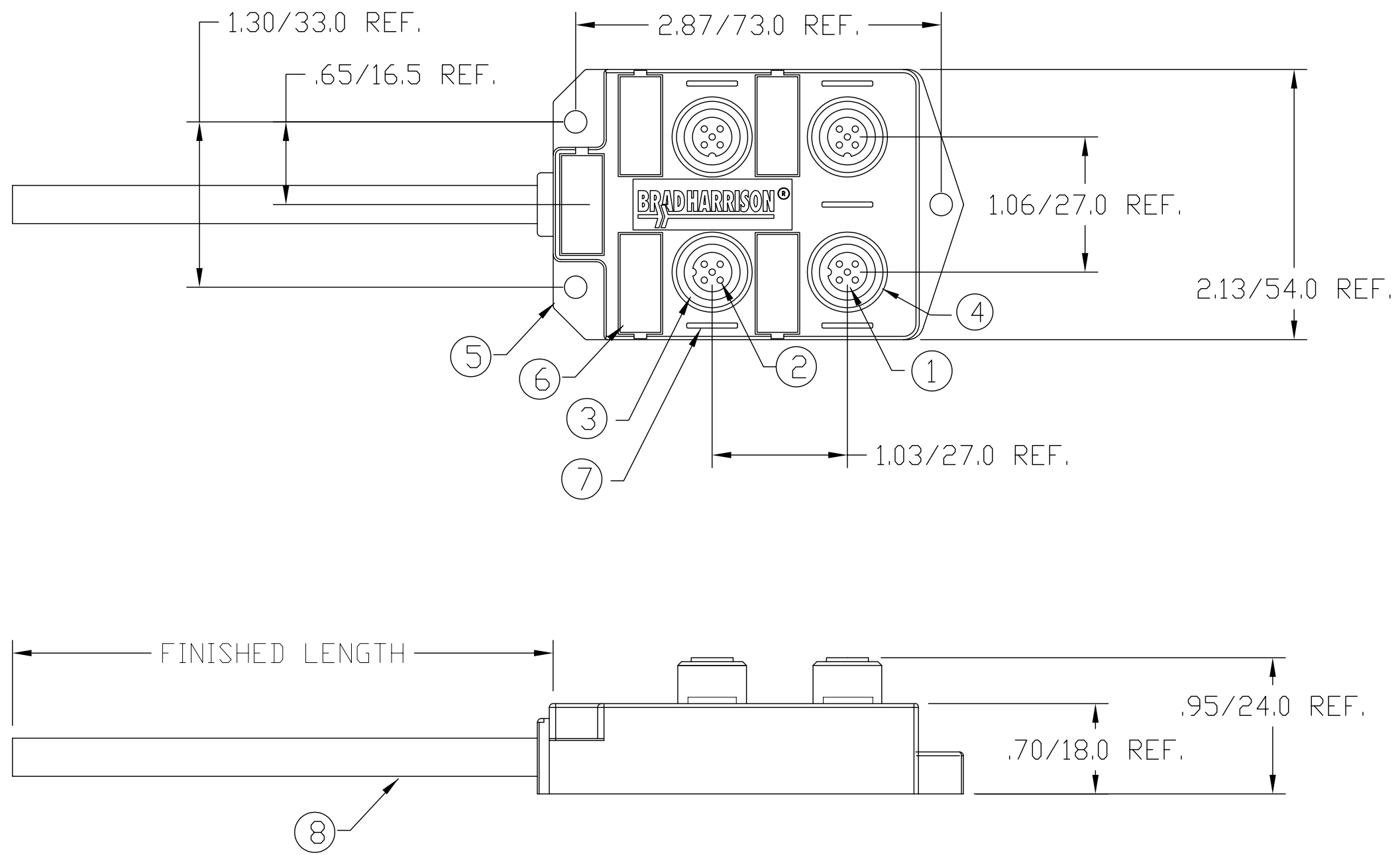


MATERIAL NUMBER	OLD PART NUMBER	FINISHED LENGTH	CABLE JACKET MATERIAL
1201140021	BTY401P-FBE-05	16.40' +6.50" -0 [5.0M +165.1 -0]	PVC
1201140022	BTY401P-FBE-10	32.81' +12.50" -0 [10.0M +317.5 -0]	PVC
1201140024	BTY401P-FBP-05	16.40' +6.50" -0 [5.0M +165.1 -0]	PUR
1201140023	BTY401P-FBE-20	65.60' +12.50" -0 [20.0M +317.5 -0]	PVC
1201140025	BTY401P-FBP-10	32.81' +12.50" -0 [10.0M +317.5 -0]	PUR
1201140026	BTY401P-FBP-20	65.60' +12.50" -0 [20.0M +317.5 -0]	PUR



VOLTAGE RATING	10-30 VDC
AMPERAGE RATING PER PORT	4 AMPS
PROTECTION	IP67
OPERATING TEMPERATURE	-20°C TO 90°C
UL CERTIFICATIONS	UL RECOGNIZED, FILE NO. E46237
CSA CERTIFICATIONS	CSA CERTIFIED, FILE NO. LR6837

ITEM	COMPONENT	MATERIAL	FINISH
1	INSERT	NYLON	BLACK
2	CONTACT SOCKET	COPPER ALLOY	GOLD OVER NICKEL
3	O-RING	NITRILE	RED
4	RECEPTACLE SHELL	BRASS	NICKEL PLATED
5	HOUSING	PBT	YELLOW
6	LABEL	ABS	WHITE
7	LENS	NYLON	CLEAR
8	CABLE, 18AWG, 3 CONDUCTOR, 22AWG, 4 CONDUCTOR, 300V	SEE P/N TABLE	YELLOW

ADD 2 PINS TO TABLE EC NO: WEU2010-0374 DRWN: FPACHER 2/16/10 CH'KD: NSTAUDIG 2009/08/27 APPR: NSTAUDIG 2010/02/18	QUALITY SYMBOL	GENERAL TOLERANCES (UNLESS SPECIFIED)	DIMENSION STYLE	SCALE	DESIGN UNITS	THIRD ANGLE PROJECTION
	▽=0	4 PLACES ±-	IN/MM	NTS	METRIC	
	∇=0	3 PLACES ±-	mm INCH	DRAWN BY DATE	TITLE	
	REV	1 PLACE ±0.3 ±-	ANGULAR ±°	BW 2009/04/02	SEE CHART	

DRAFT WHERE APPLICABLE MUST REMAIN WITHIN DIMENSIONS	THIS DRAWING CONTAINS INFORMATION THAT IS PROPRIETARY TO MOLEX INCORPORATED AND SHOULD NOT BE USED WITHOUT WRITTEN PERMISSION	MATERIAL NO. SEE CHART DOCUMENT NO. SD-120114-002 SHEET NO. 1 OF 1
		APPROVED BY DATE NSTAUDIG 2010/02/18
		CHECKED BY DATE TW 2009/04/02
		TITLE MICRO-CHANGE MPIS 4 PORT TOP MOUNT PNP #18/3 + #22/4 CABLE MOLEX INCORPORATED