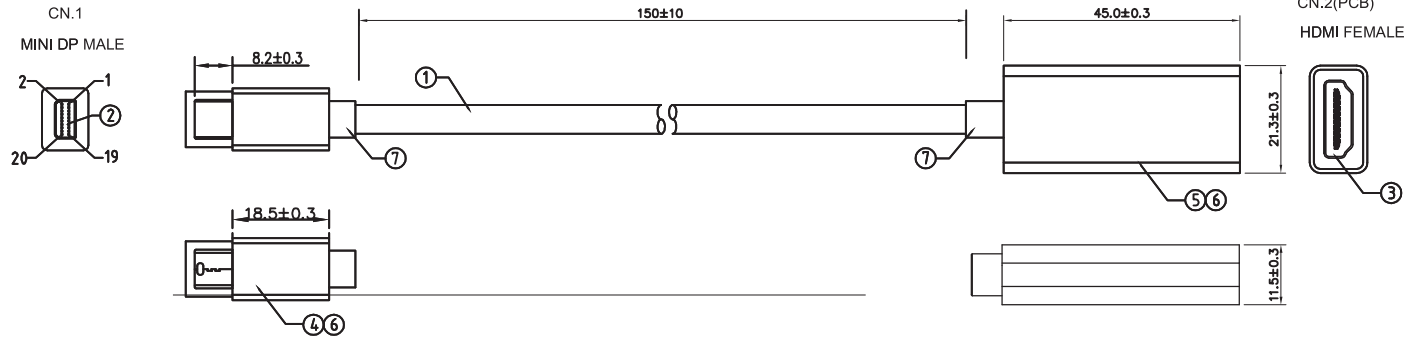
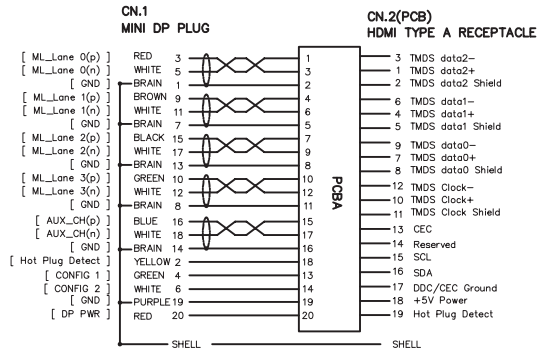


NOTE: ALL MATERIAL COMPLIANT ROHS STANDARD

REVISION INFORMATION			
Rev.	Rev. Date	Modified By	Brief Description




PIN ASSIGNMENT:



Electrical performance test: (MINI DP TO HDMI machine testing)

1. signal source UXGA: 1280*720P, 1920*1080P
2. refresh rate: 60HZ
3. The video has no signal jitter, smearing, ghosting, missing color and other abnormal
4. Audio format: L-PCM @ 32KHz, 44.1KHz, Dolby, 8 channels 1 bit Audio
5. Clear voice, no noise
6. The Max distance for cable's 2 sides: 500mm.

NO.	PART NAME	SPECIFICATION DESCRIPTION	QTY	UNIT
7	outside shell	45P PVC, WHITE	1	
6	inside shell	low-density PE	1	
5	plastic shell	HDMI A FEMALE plastic white body, HDMI A FEMALE plastic white front shell	1	
4	plastic shell	MINI DP MALE plastic white body, MINI DP MALE plastic white front shell	1	
3	Connector 2	HDMI A FEMALE, gold-plated terminal, white plastic core, nickel-plated connector + PCB'A	1	
2	Connector 1	MINI DP MALE, gold-plated terminal, white plastic core, nickel-plated connector	1	
1	CABLE	UL20276 (32#*1P+D+AL/MY) *5+32#*5C+AL+B outside, white PVC, OD:5.0mm	1	PCS



DRAWN BY KEVIN	DATE: 2013/02/03	DESCRIPTION: Mini Display Port Male to HDMI Adapter
CHECKED BY JACK	SHEET 1 of 1	ITEM NO. MDPHDMI-06I-ADPT
APPROVED BY JON	SCALE 1:1	REV. 01 UNIT: mm