

6

5

4

3

2

1

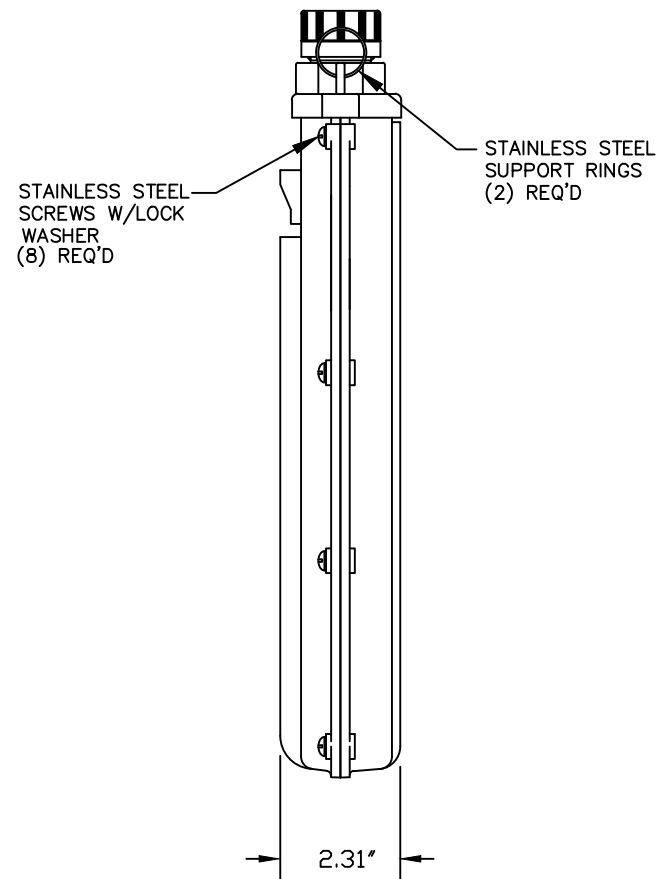
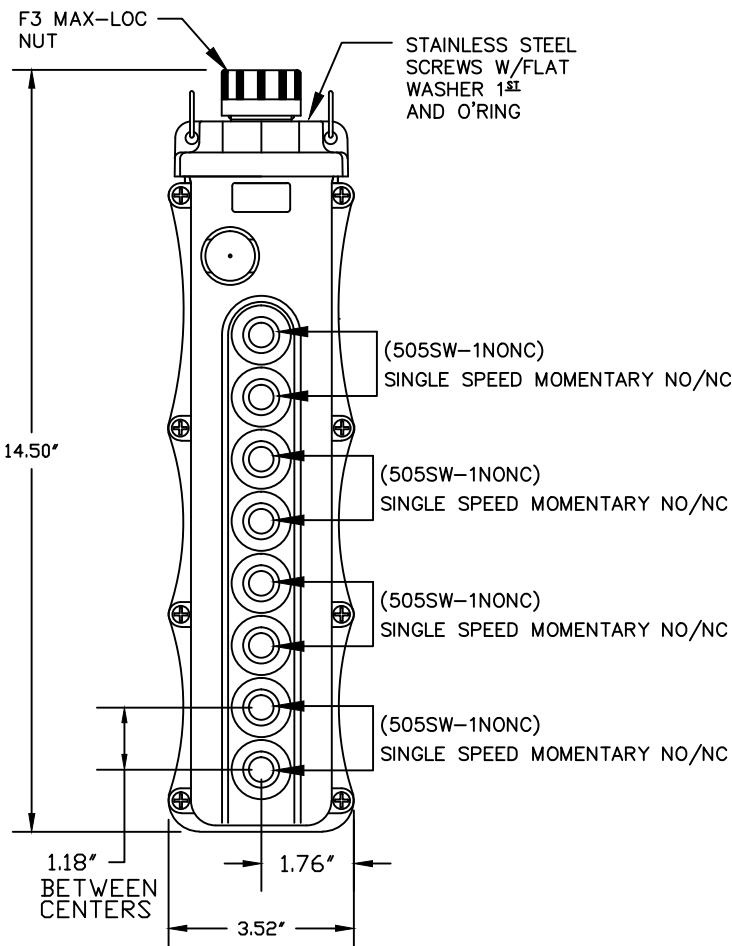
E

D

C

B

A



NOTES:

1. INSTALLATION INSTRUCTIONS, BUTTON ID. LABELS. ARE PACK WITH THE PART.
2. ALL BUTTONS ARE HIGH AMBIENT, CHEMICALLY RESISTANT MATERIAL - COLOR BLACK

CUSTOMER APPROVAL DWG EC NO: IPC2013-0340 DRWN: HKNEELAN 2012/09/06 CHKD: HKNEELAN APPR: DTITUS 2012/10/15	DESCRIPTION REV	QUALITY SYMBOLS	GENERAL TOLERANCES (UNLESS SPECIFIED)		DIMENSION STYLE INCH		SCALE NTS	DESIGN UNITS INCH	THIRD ANGLE PROJECTION	
		$\nabla = 0$ $\nabla C = 0$	mm	INCH	DRAWN BY	DATE	TITLE			
		4 PLACES	±---	±---	HKNEELAN	2009/04/03	8 POS PENDANT W/ (4) 505SW-1NONC ----			
		3 PLACES	±---	±.020	CHECKED BY	DATE				
			2 PLACES	±0.05	±.010	DTITUS	2012/09/06	MOLEX INCORPORATED		
			1 PLACE	±0.10	±.005	APPROVED BY	DATE			
			ANGULAR ±5°		MATERIAL NO. 1301260340		DOCUMENT NO. SD-130126-058		SHEET NO. 1 OF 1	
DRAFT WHERE APPLICABLE MUST REMAIN WITHIN DIMENSIONS			THIS DRAWING CONTAINS INFORMATION THAT IS PROPRIETARY TO MOLEX INCORPORATED AND SHOULD NOT BE USED WITHOUT WRITTEN PERMISSION							

6

5

4

3

2

1

E

D

C

B

A