

Shielded, SMT Power Inductors

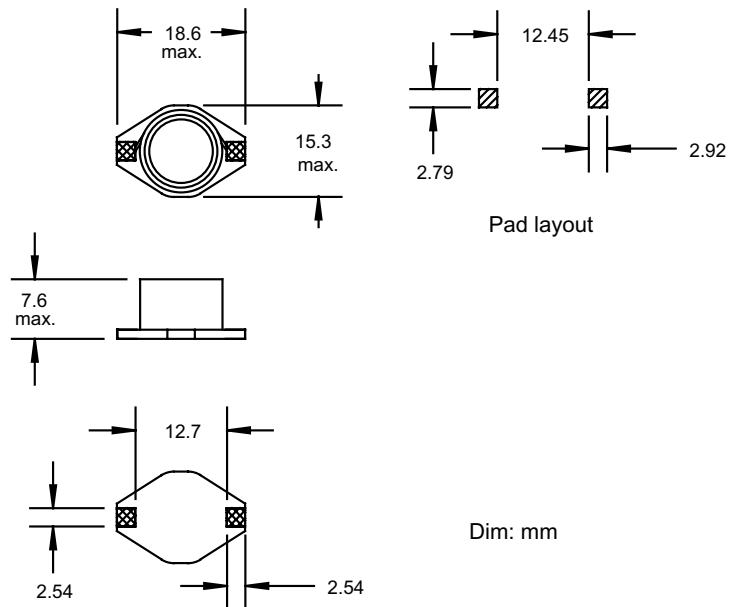
Special Features

- High current capacity
- Magnetically shielded
- Low DCR
- Ferrite bobbin core
- Compact size
- High heat resistance, ideal for reflow soldering
- High reliability
- Test frequency 100KHz
- Operating temperature -40 to +85°C
- Saturation current to cause 10% inductance drop
- Rms current to cause 40°C temperature rise
- Tape & reel packaged 250/reel

Typical Applications

- High reliability, low magnetic coupling and densely packed board design
- Small cell phones
- PDAs
- Pagers
- Flash memory programmers
- Notebook computers
- Battery chargers
- DC-DC converters
- Network cards
- Switching boards
- Industrial electronics
- Entertainment electronic devices

PM5022S Series				
Part Number	L (uH) ± 20%	DCR (Ω) Max.	I, sat. (A)	I, rms (A)
PM5022S-100M	10	0.04	8.0	3.9
PM5022S-150M	15	0.048	7.0	3.4
PM5022S-220M	22	0.059	6.0	3.1
PM5022S-330M	33	0.075	5.0	2.8
PM5022S-470M	47	0.097	4.0	2.4
PM5022S-680M	68	0.138	3.0	2.0
PM5022S-101M	100	0.207	2.4	1.7
PM5022S-151M	150	0.293	2.1	1.3
PM5022S-221M	220	0.47	1.9	1.1
PM5022S-331M	330	0.78	1.1	0.86
PM5022S-471M	470	1.08	1.1	0.73
PM5022S-681M	680	1.4	0.96	0.64
PM5022S-102M	1000	2.01	0.8	0.53



J.W. Miller
M A G N E T I C S

306 E. Alondra Blvd., Gardena, CA 90247-1059 • (310) 515-1720 • FAX (310) 515-1962

www.jwmiller.com