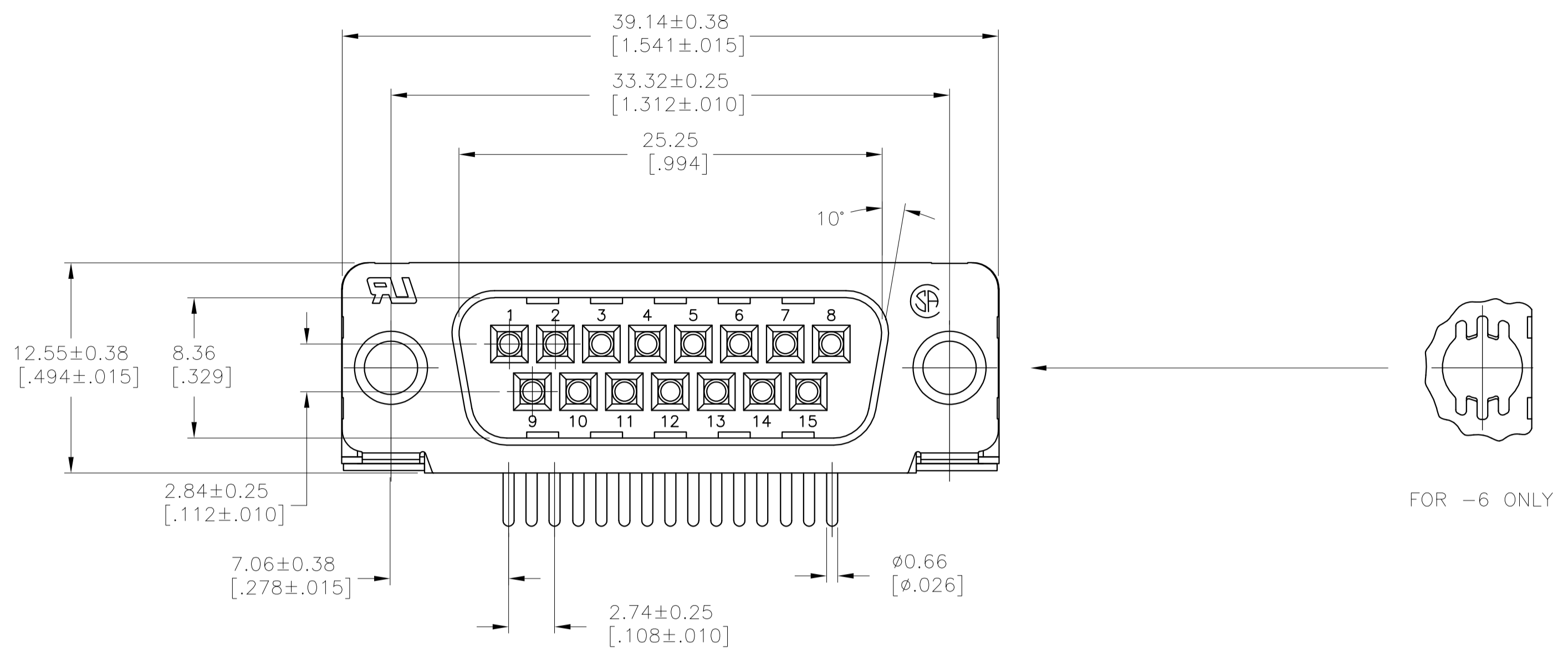


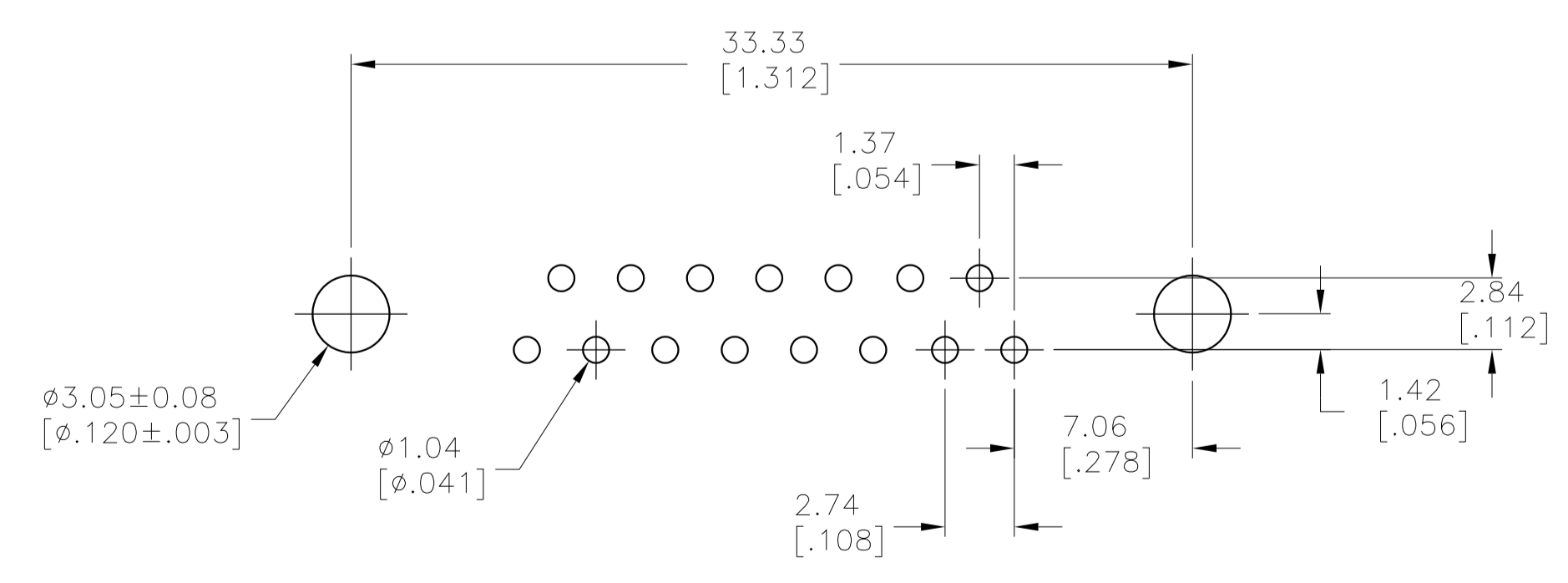
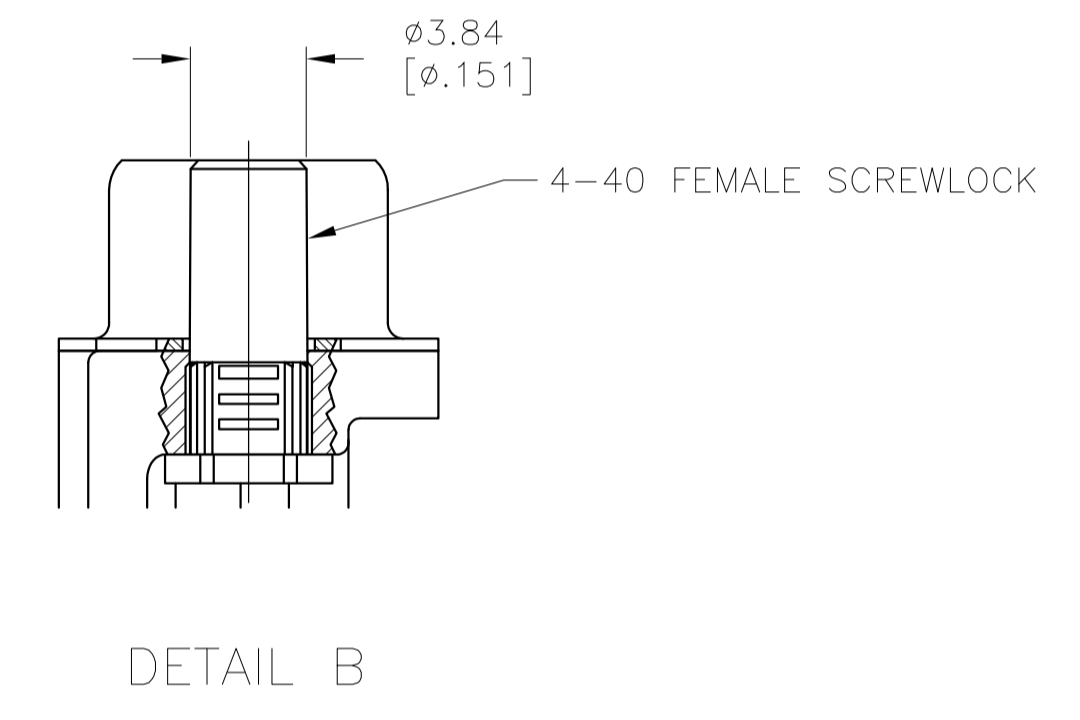
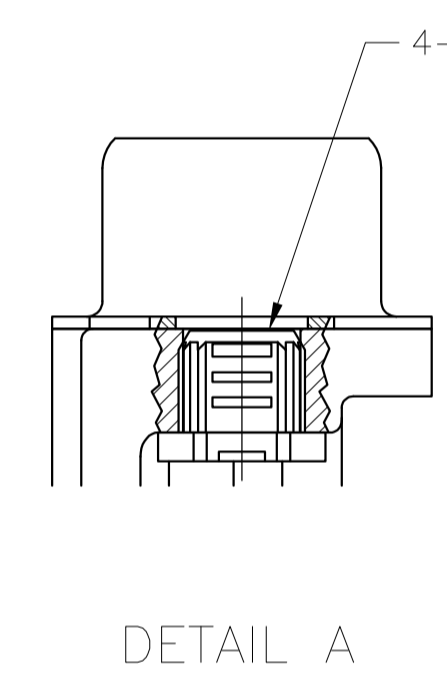
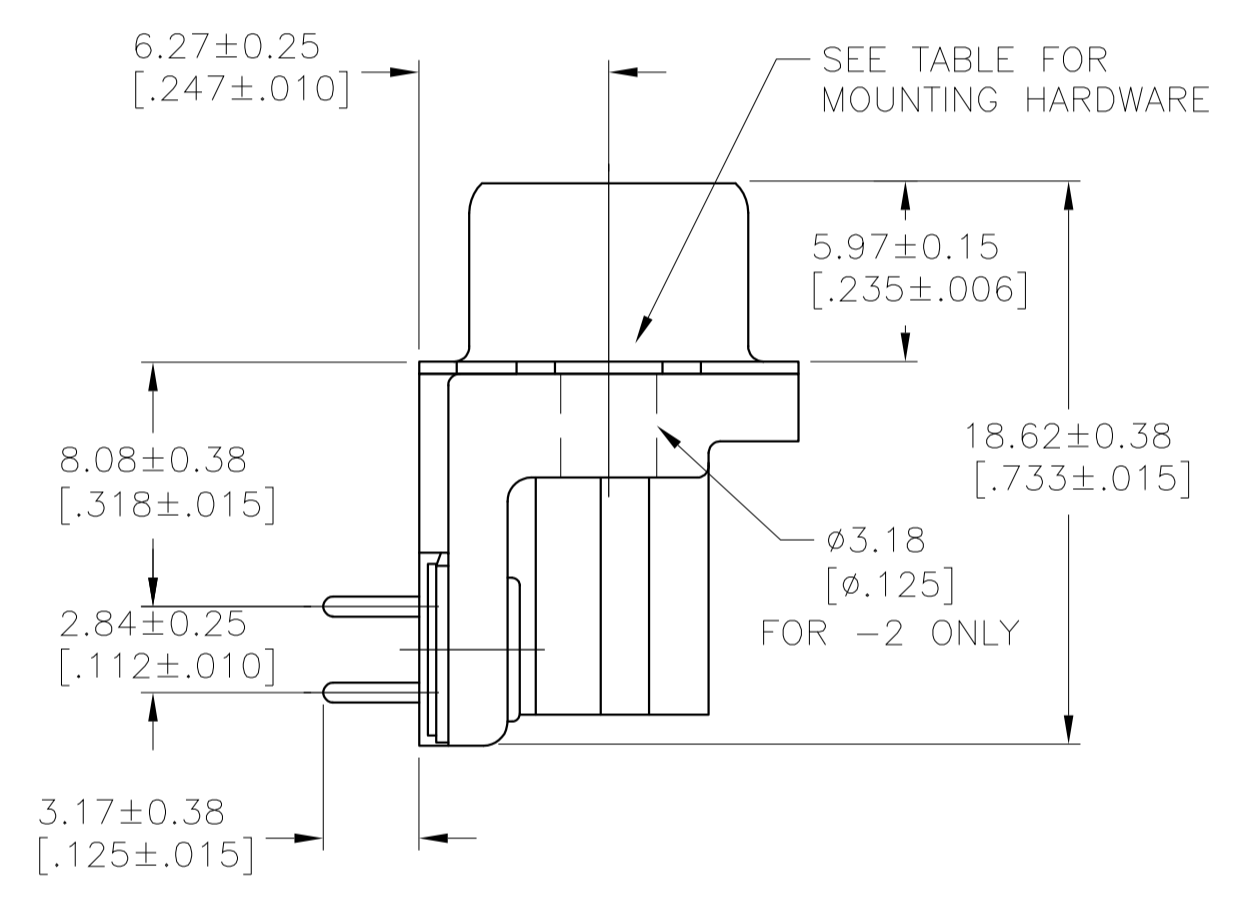
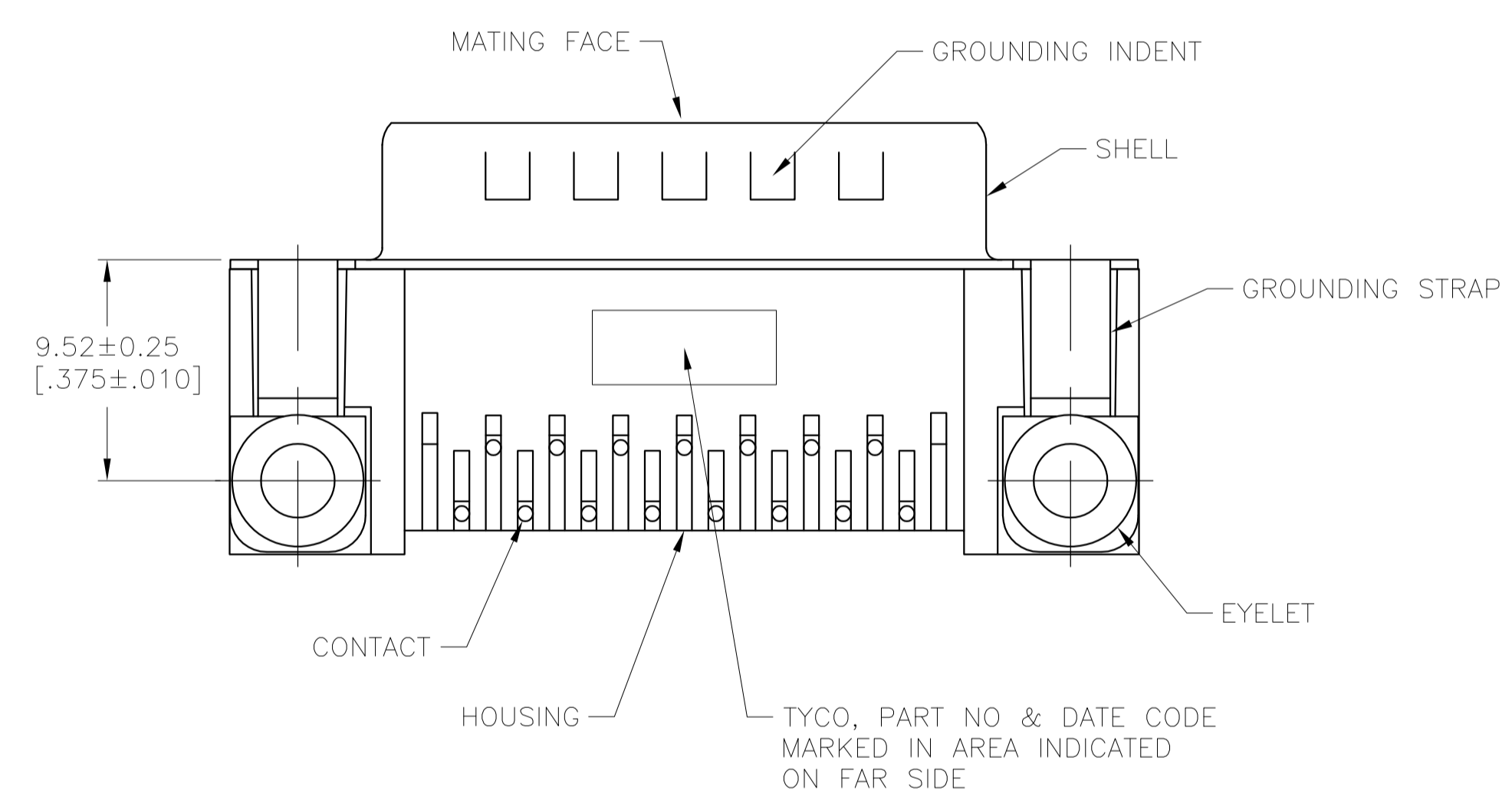
LOC		DIST		REVISIONS				
GP	00	REV	DATE	BY	CHK	APPV		
C		REVISED PER ECO-12-022391	02JAN2013	CJV	SLB			



⚠ HOUSING: NYLON OR POLYESTER, FLAME RETARDANT, 94V-0 RATED, COLOR BLACK.
 SHELL: CARBON STEEL.
 CONTACTS: BRASS.
 EYELETS: BRASS.
 INSERTS: ZINC.
 SCREWLOCKS: ZINC.

⚠ SHELL: 0.00254[.000100] MIN TIN OVER 0.00127[.000050] MIN COPPER.
 CONTACTS: 0.76 μ m (.000030) MIN GOLD PLATE ON THE MATING SURFACES, 2.54 μ m (.000100) MIN TIN PLATE ON THE SOLDER END, 1.27 μ m (.000050) MIN NICKEL UNDERPLATE ON THE ENTIRE CONTACT
 -OR-
 GOLD FLASH OVER PALLADIUM-NICKEL PLATE, 0.76 μ m (.000030) MIN TOTAL ON THE MATING SURFACES, 2.54 μ m (.000100) MIN TIN PLATE ON THE SOLDER END, 1.27 μ m (.000050) MIN NICKEL UNDERPLATE ON THE ENTIRE CONTACT.

EYELETS: 0.00508[.000200] MIN TIN OVER COPPER FLASH.
 INSERTS: CLEAR CHROMATE.
 SCREWLOCKS: CLEAR CHROMATE.



RECOMMENDED PC BOARD LAYOUT
 1.57[.062] PC BOARD
 (VIEWED FROM CONNECTOR SIDE)

**COPYRIGHT 2005
 TYCO ELECTRONICS CORP
 ALL RIGHTS RESERVED**

SEE DETAIL B	5747236-6
SEE DETAIL A	5747236-4
NONE	5747236-2
MOUNTING HARDWARE	PART NUMBER

THIS DRAWING IS A CONTROLLED DOCUMENT. DIMENSIONING AND TOLERANCING PER ASME Y14.5M-2009		DWG: J.GERACE 14JAN05	STE TE Connectivity	
DIMENSIONS: mm(INCHES)		CHK: S.BOLASH 14JAN05	NAME: M.WALMSLEY 14JAN05	
TOLERANCES UNLESS OTHERWISE SPECIFIED:		PRODUCT SPEC: 108-40025		
0. PLC	± .005	APPLICATION SPEC: 114-40010		
1. PLC	± .005	SIZE: A1		
2. PLC	± .005	CAGE CODE: 00779		
3. PLC	± 0.13(.005)	DRAWING NO: 5747236		
4. PLC	± .005	RESTRICTED TO: CUSTOMER DRAWING		
ANGLES	± .2°	SCALE: 4:1 SHEET: 1 OF 1 REV: C		
MATERIAL	FINISH	WEIGHT: -		