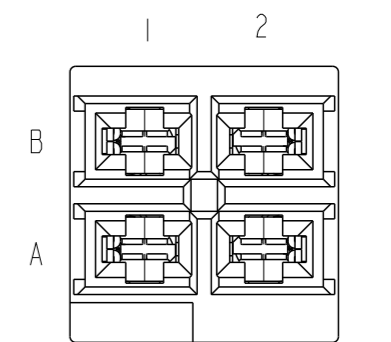


PLUG KIT PART NUMBER
SEE TABLE

OCTIS PLUG KIT, 2X2 POWER FIELD TERMINAL, 26 MM PITCH



CONNECTOR FRONT VIEW

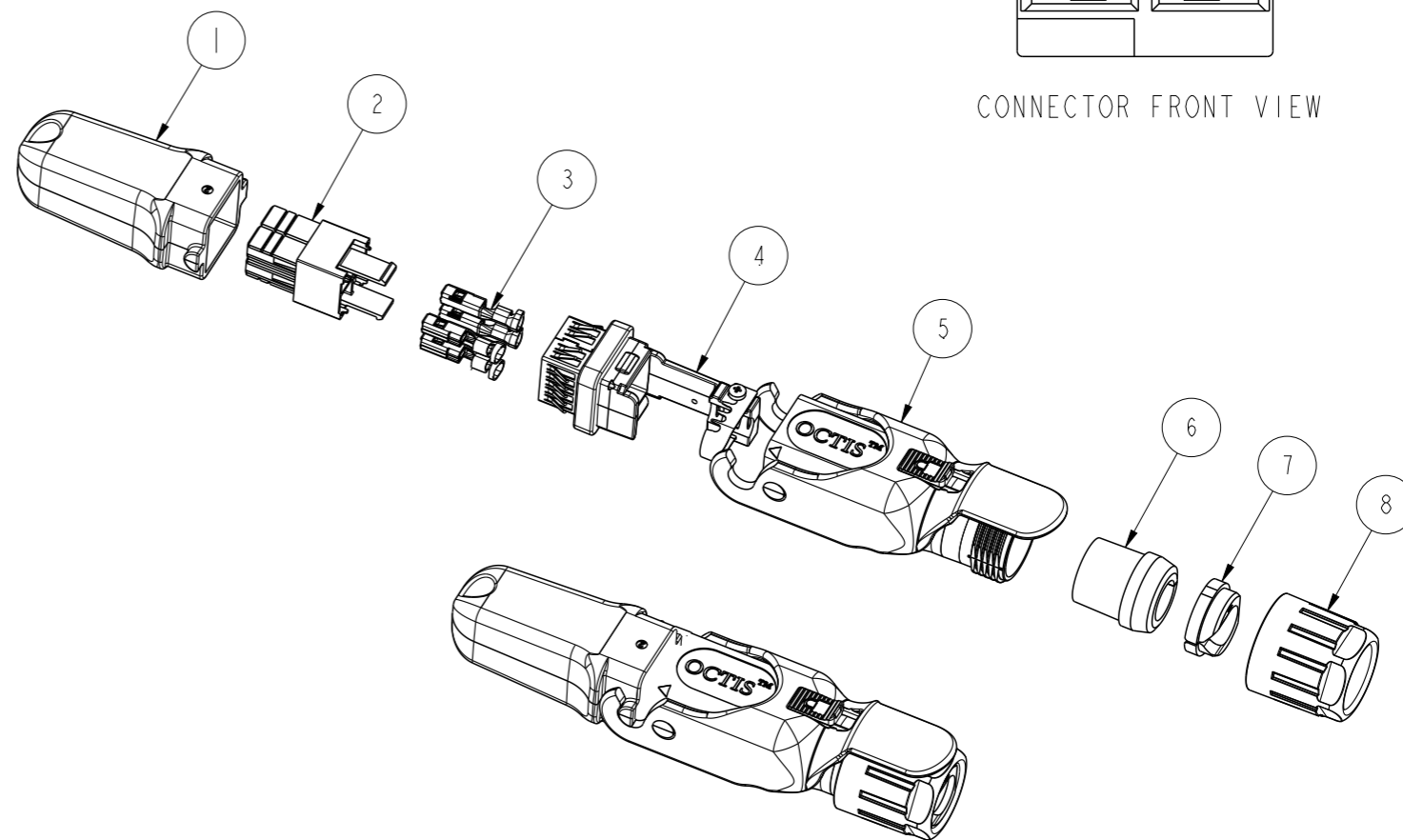
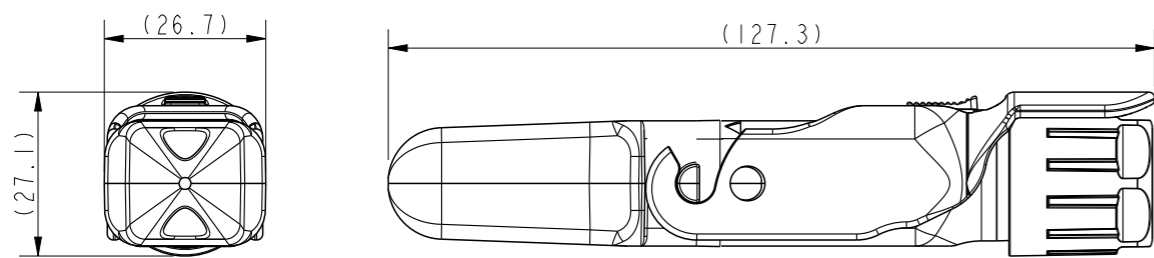


TABLE 1

SL NO.	COMPONENT	MATERIALS	REMARKS
1	PLUG CAP	PBT GF	-
2	CABLE CONNECTOR HOUSING	PBT GF	-
3	POWER CONTACTS	COPPER ALLOY	
4	HOLDER SUBSET KIT	-	PASSIVATED
5	HOUSING SUBSET KIT	-	-
6	RUBBER GLAND	SILICONE	*INNER DIA-10MM (Ø10 FOR CABLE OD 8.6 MIN TO 9.95MM MAX)
7	TIGHTENING CONE	PA	-
8	GLAND NUT	PBT GF	COLOUR GREEN

RUBBER GLAND USE GUIDE

RECOMMENDED GLAND SIZE	ØD (OUTER DIA OF CABLE JACKET)(MM)
"6"	4.6 MIN TO 5.95MM MAX
"7"	5.6 MIN TO 6.95MM MAX
"8"	6.6 MIN TO 7.95MM MAX
"9"	7.6 MIN TO 8.95MM MAX
"10"	8.6 MIN TO 9.95MM MAX
"11.5"	10.1 MIN TO 11.45MM MAX

TABLE 2

CABLE CONNECTOR KIT/PIN	ROW	COLUMN		WIRE DIA
		1	2	
10139481-101LF	B	X	X	1.5 SQ MM-2.5 SQ MM (AWG 16- AWG 14)
	A	X	X	
10139481-102LF	B	-	X	
	A	X	X	

* STANDARD RUBBER GLAND DIA OFFERED IS 10MM; OPTIONAL RUBBER GLAND DIA OF 6,7,8,9 & 11.5 MM ARE AVAILABLE ON REQUEST

spec ref	dr	Jibin John	2016/12/02	projection	mm	size	A3	scale	1:1
tolerance std	eng	Aloisius, Stali	2020/05/22			ecn no	ELX-I-37060-1	rel level	Released
ISO 406 ISO 1101	chr	-	-						
surface	linear	0.X	±0.3		OCTIS PLUG KIT- 2X2 PWR FIELD TERMINABLE, 26 MM PITCH	dwg no	10139481	rev	C
		0.XX	±0.13						
		0.XXX	±0.050						
ISO 1302	angular	0°	±2°	cat. no.	-	Product - Customer Drw	sheet 1 of 1		

Amphenol
FCi

© 2016 AFCI