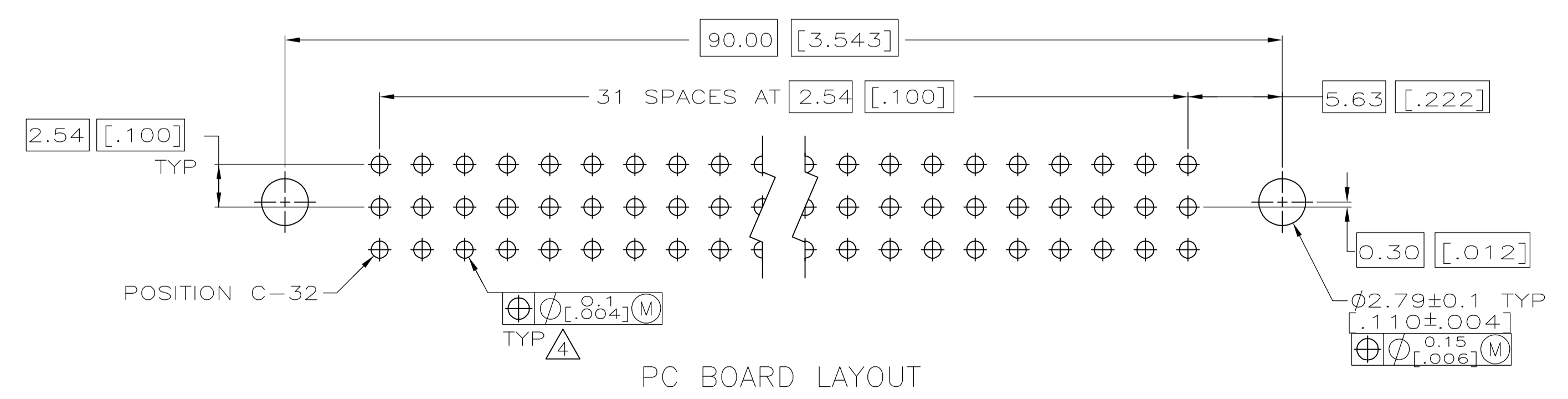
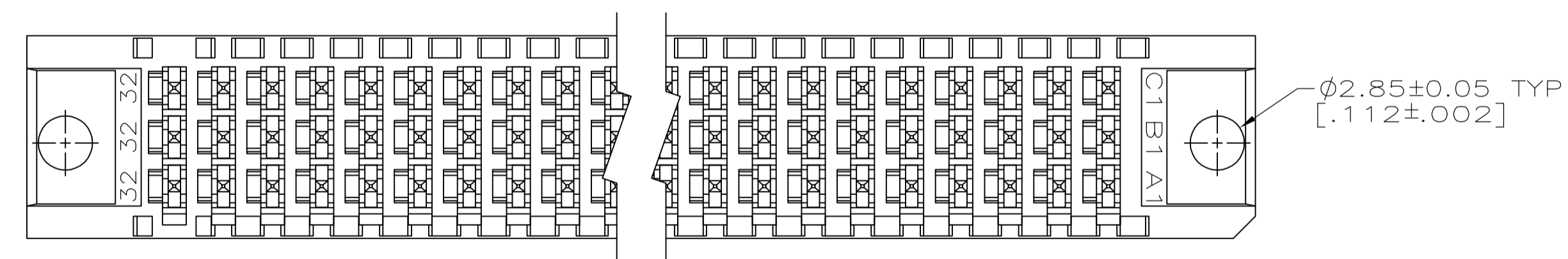
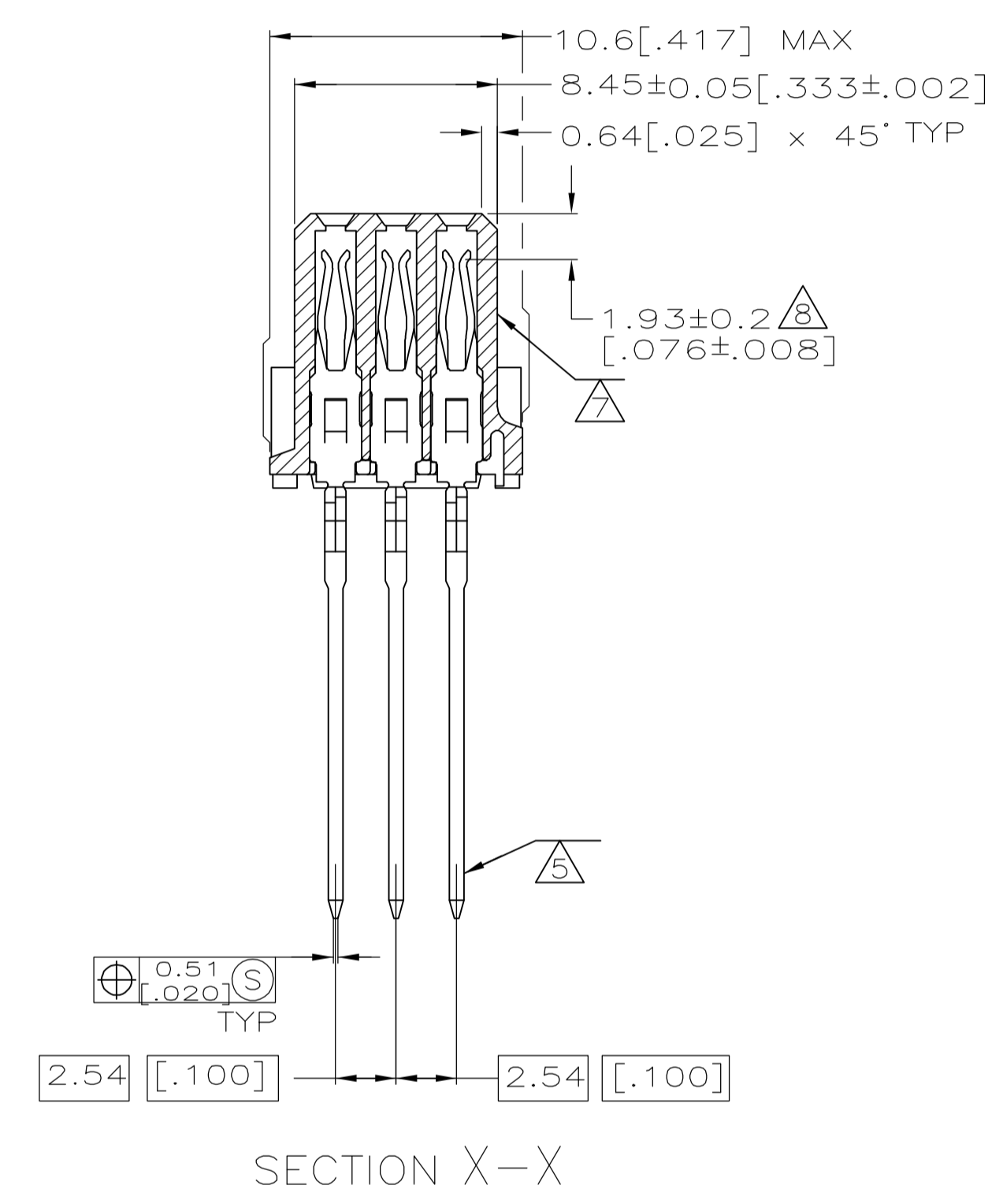
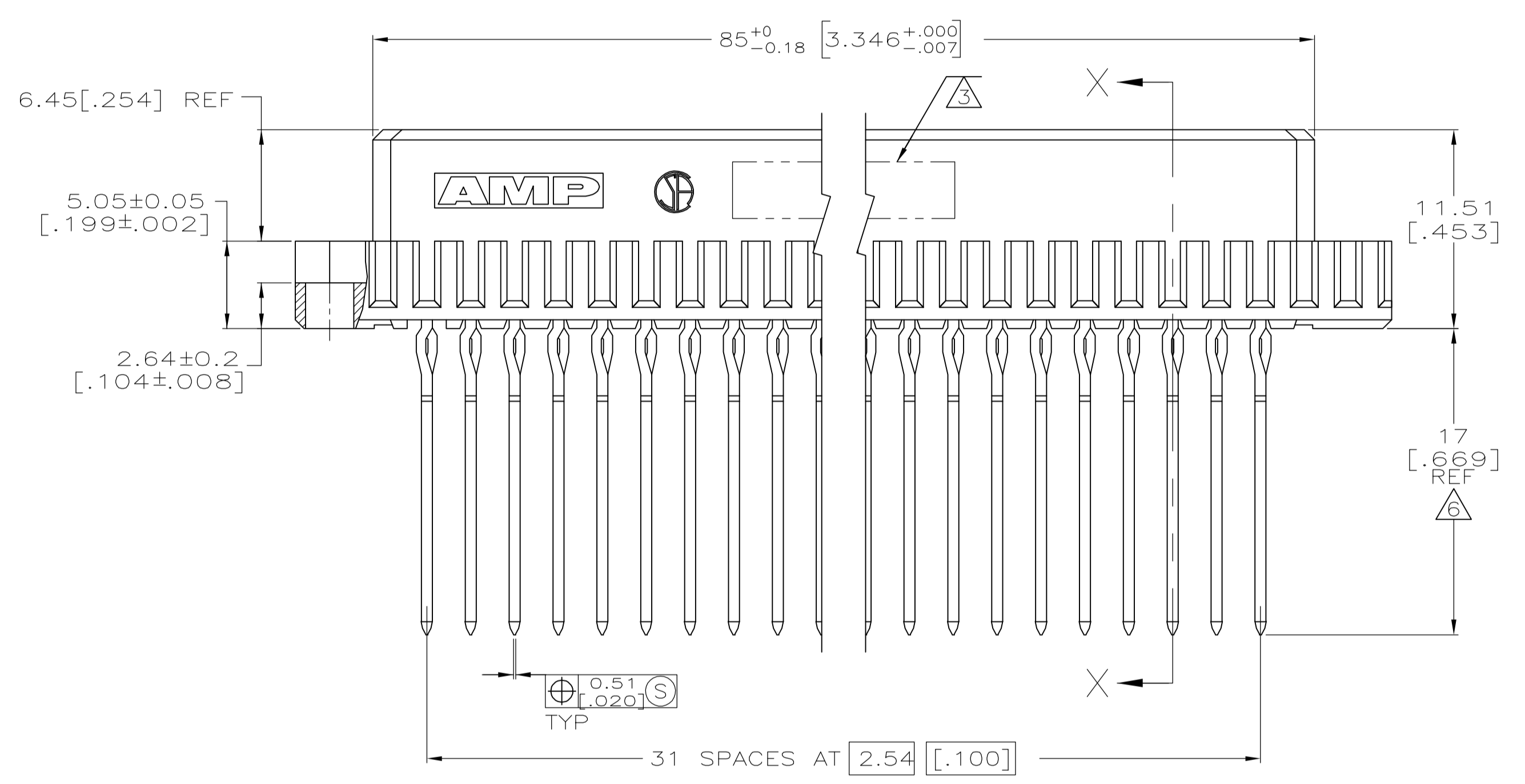
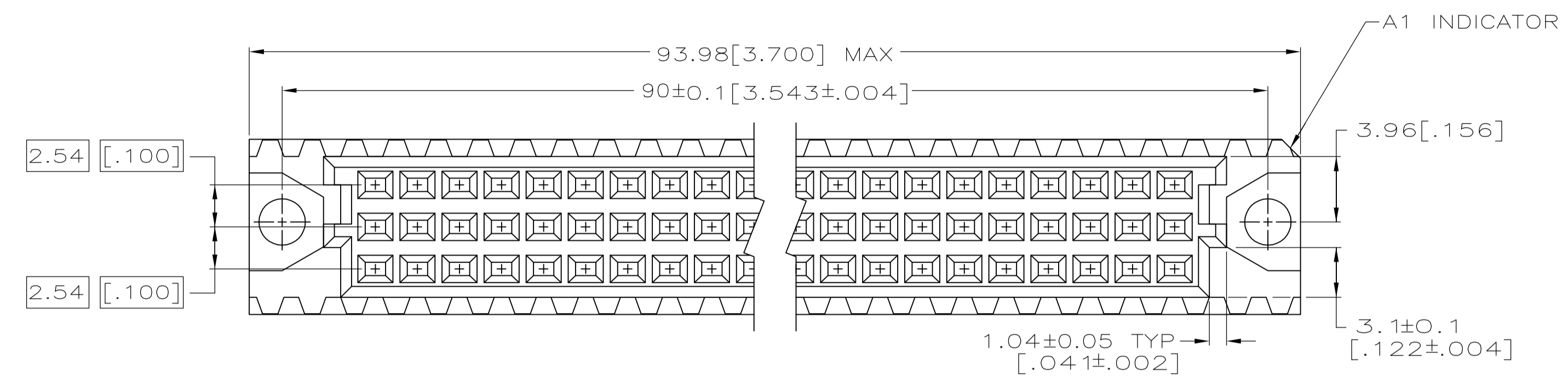


- ① HOUSING MATERIAL: GLASS-FILLED POLYMER.
- ② CONTACT MATERIAL: COPPER ALLOY.
- ③ PART NUMBER AND DATE CODE, IN THIS APPROXIMATE AREA, ON REVERSE SIDE.
- ④ ACTION PIN POSTS REQUIRE 1.57[.062] MINIMUM THICK PC BOARD. RECOMMENDED PC BOARD DRILLED HOLES ARE 1.15±0.025[.0453±0.010] DIAMETER WITH 0.02-0.08[.001-.003] COPPER AND 0.008[.0003] MINIMUM TIN-LEAD PLATING. FINISHED HOLE AFTER PLATING IS 0.94-1.09[.037-.043] DIAMETER.
- ⑤ CONTACT FINISH: DIN 41612 CLASS 2 IN CONTACT AREA. TIN PLATE ON POSTS.
- ⑥ TAIL LENGTH AFTER SEATING IN PC BOARD.
- ⑦ MARKING ON THIS SIDE.
- ⑧ CONTACT POINT AFTER SEATED IN PC BOARD.



5148059-5
PART NO

THIS DRAWING IS A CONTROLLED DOCUMENT.		DIN J. POLIGNONE 03JUN05		Tyco Electronics Corporation Harrisburg, PA 17105-3608	
DIMENSIONS: mm [INCHES]		GIK A. SHARPE 03JUN05		NAME	ASSEMBLY, RECEPTACLE, EUROCARD, TYPE C 96 POSITION, 18.06[.711] PRESS-FIT
TOLERANCES UNLESS OTHERWISE SPECIFIED:		APVD A. SHARPE 03JUN05	PRODUCT SPEC	SIZE	CAGE CODE DRAWING NO
0 PLC ± -		PRODUCT SPEC	APPLICATION SPEC	A1	00779C=5148059
1 PLC ± -		RESTRICTED TO	WEIGHT	CUSTOMER DRAWING	
2 PLC ± 0.13[.005]		SCALE	4:1	SHEET	1 OF 1
3 PLC ± -		REV	0		
4 PLC ± -					
ANGLES ± 0° 30'					
MATERIAL					
FINISH					