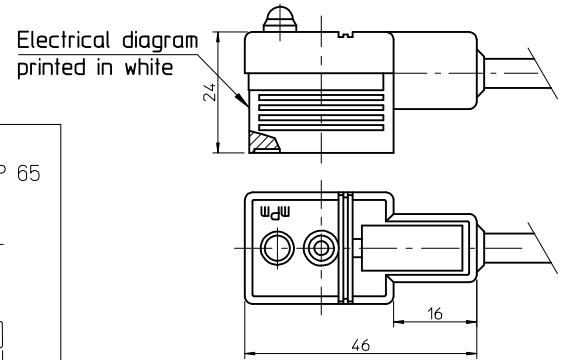
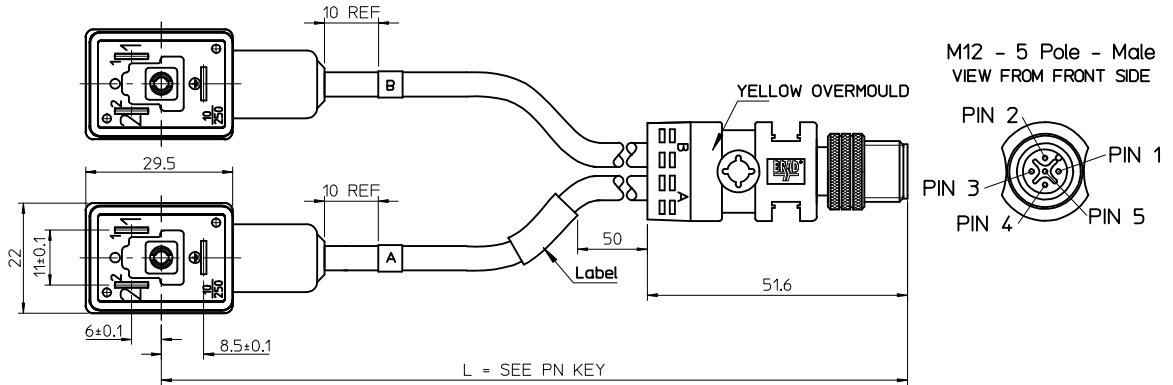
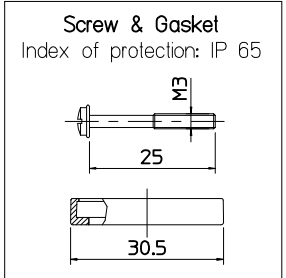


Table of length tolerances

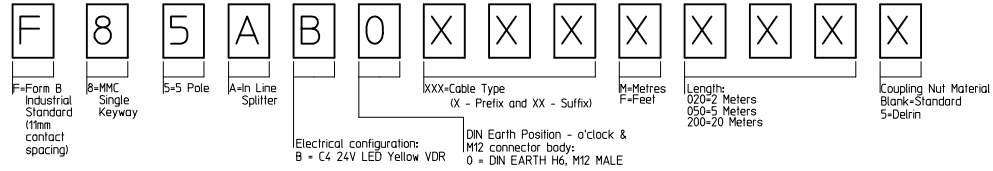
Over	Up to and including	Tolerance (+)
0	305	+19
305	915	+45
915	1830	+56
1830	3660	+89
3660	7320	+165
7320	14640	+317
14640	30500	+610
30500	>	+2% of length



PN's List

Engineering number	SAP Part Number	Cable Length [mm]	Cable type
F85AB0I12M010	1210360267	1000	CEI PVC Grey 0.5mm ²
F85AB0P12M010	1210360378	1000	PUR Black 0.5mm ²
F85AB0E12M006	1210360610	600	PVC Black 0.5mm ²
F85AB0E12M010	1210360611	1000	PVC Black 0.5mm ²
F85AB0P12M0105	1210360612	1000	PUR Black 0.5mm ²
F85AB0P82M008	1210360770	800	PUR Orange 0.34mm ²

PART No MATRIX - PN KEY



Notes:
1. Dimensions without tolerance are referential.

ORIGINAL RELEASE EC NO: IPG2014-1345 DRWN: JMARSZALEK 2013/07/12 CHKD: MSZWAJKOWSKI 2013/07/12 APPR: MIWASIECZKO 2014/01/30	QUALITY SYMBOLS	GENERAL TOLERANCES (UNLESS SPECIFIED)	DIMENSION STYLE	SCALE	DESIGN UNITS	THIRD ANGLE PROJECTION
	▼=0 ◻=0	mm INCH 4 PLACES ± --- ± --- 3 PLACES ± --- ± --- 2 PLACES ± --- ± --- 1 PLACE ± --- ± --- 0 PLACE ± --- ± ---	MM ONLY	-	METRIC	
	DESCRIPTION	ANGULAR ±---°	DRAWN BY DATE	TITLE	F85AB0XXXXXXX ILS - 2 X DIN-B H6 C4H M12 5P AC MA	
	REV	DRAFT WHERE APPLICABLE MUST REMAIN WITHIN DIMENSIONS	CHECKED BY DATE	MATERIAL NO.	DOCUMENT NO.	SHEET NO. 1 OF 1

DIN Earth Position - o'clock & M12 connector body:
0 = DIN EARTH H6, M12 MALE

molex

SEE PN KEY
SD-121036-009
THIS DRAWING CONTAINS INFORMATION THAT IS PROPRIETARY TO MOLEX INCORPORATED AND SHOULD NOT BE USED WITHOUT WRITTEN PERMISSION