



## GENERAL DESCRIPTION

The 9157 series was specifically designed for portable equipment.

AVX now offers this two-part system as a standard product. The fixed SMT socket is designed to be housed within the confined dimensional constraints of the portable device.

The plug/cover connector has sprung contacts and is designed for termination to accessory equipment. The connector is designed to house fifteen signal contacts on a 1mm pitch rated at 1.5A. There is the option to include a switching RF coax.

A cradle SMT plug connector for docking applications is also available as standard and has the option of including a SMT RF coax.

Whatever your requirements, the 9157 series can also be customized to suit your application.

## APPLICATIONS

Suitable applications include:

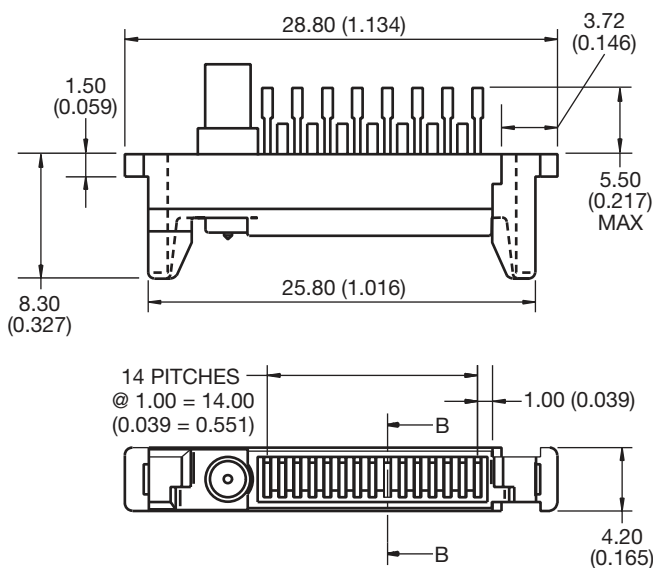
- Mobile Phones
- PDA
- Medical
- Docking/Charging for any portable device

## KEY FEATURES AND BENEFITS

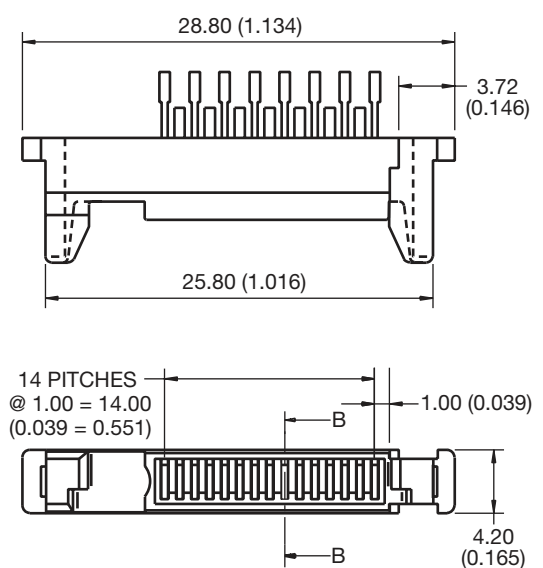
- Patented 20° angled face on the socket gives self-cleaning face when mated with plug.
- Metal Latching area integral to socket which saves PCB real estate.
- Integral to socket is a mechanical 50Ω switching coax for SMT termination.
- Single sprung plug contact design gives ten thousand mating cycles and cleaning/wiping action.
- Customer has option to terminate own RF coax using AVX custom tooling: 06-9157-7116-01-000.
- SMT plug has unique location pyramids that give positive alignment to portable device, and assist blind mating.
- RoHS Compliant available.



### Plug Wire with Coax



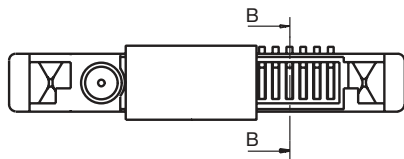
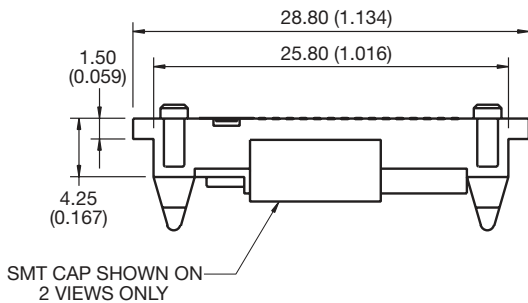
### Plug Wire without Coax



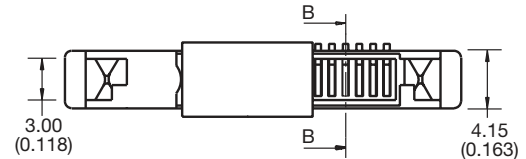
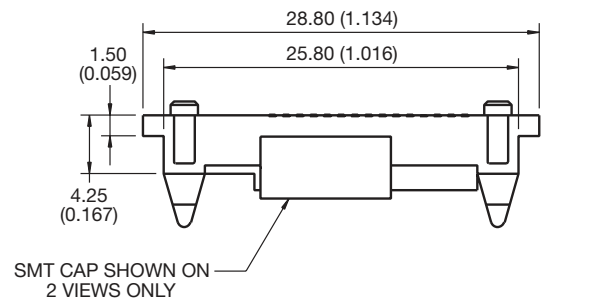
# 9157 I/O Connector



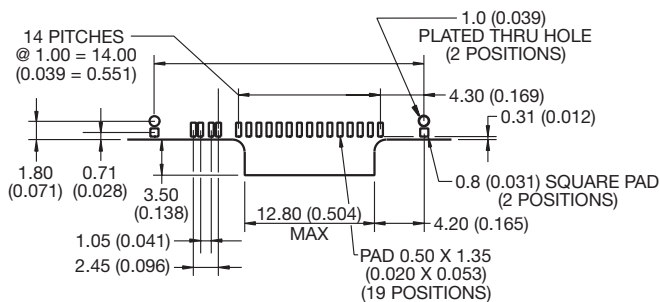
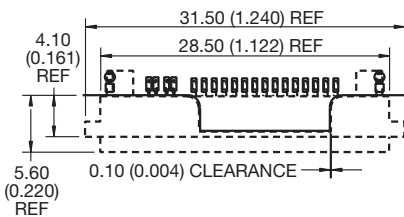
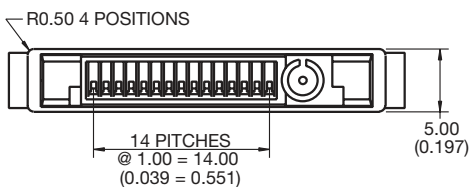
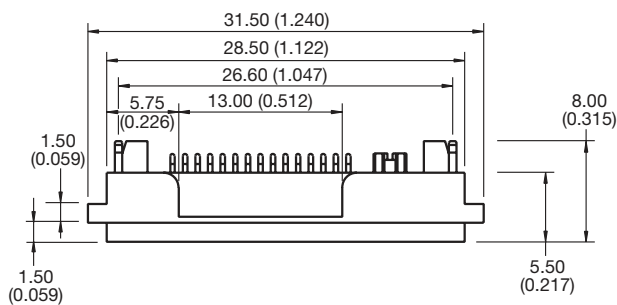
## SMT Plug with Coax



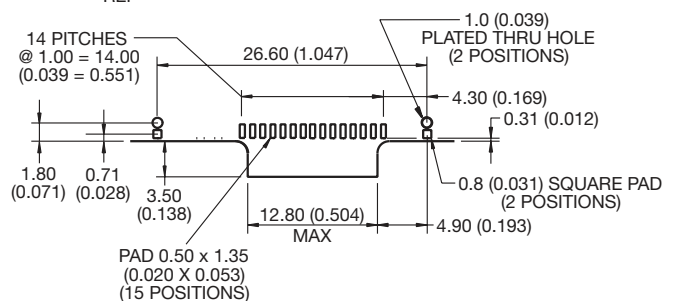
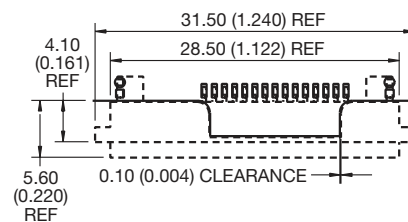
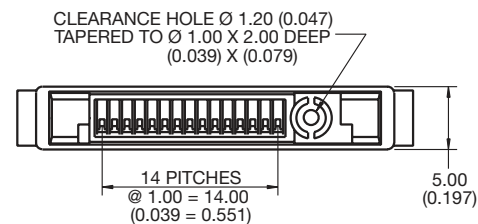
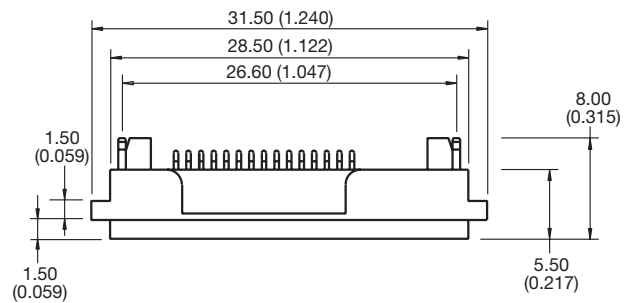
## SMT Plug without Coax



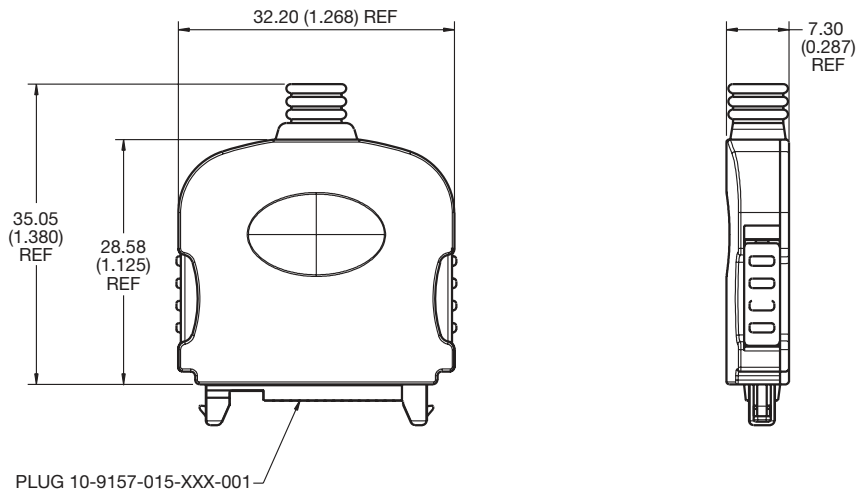
## SMT Socket with Coax



## SMT Socket without Coax



## Cover Kit



## HOW TO ORDER

### Plug Options – Example

<b>10</b>	<b>9157</b>	<b>015</b>	<b>000</b>	<b>006</b>
<b>Prefix</b> 10 = Plug 58 = Special	<b>Series</b>	<b>No of Ways</b> 15 = 015	<b>RF Coax Option</b> 000 = No RF Coax 001 = With RF Coax	<b>Contact Type</b> 006 = Solder Wire 007 = SMT

### Socket Options – Example

<b>20</b>	<b>9157</b>	<b>015</b>	<b>000</b>	<b>001</b>
<b>Prefix</b> 20 = Socket 58 = Special	<b>Series</b>	<b>No of Ways</b> 15 = 015	<b>RF Coax Option</b> 000 = No RF Coax 001 = With RF Coax	<b>Contact Type</b> 001 = SMT

### Cover Options – Example \* Parts supplied in kit form

<b>30</b>	<b>9157</b>	<b>9700</b>	<b>00</b>	<b>000</b>
<b>Prefix</b> 30 = Sub Assembly 58 = Special	<b>Series</b>	<b>Cover Version</b> 9700 = Screw/Press-fit Version 9701 = Ultrasonically Welded Version	<b>Standard</b>	<b>Grommet Variation</b> 000 = No Grommet 035 = to suit $\phi$ 3.50 cable 050 = to suit $\phi$ 5.00 cable

Patent: 2276285  
5540599

Note: Application tooling to terminate coax cable 06-9157-7116-01-000.