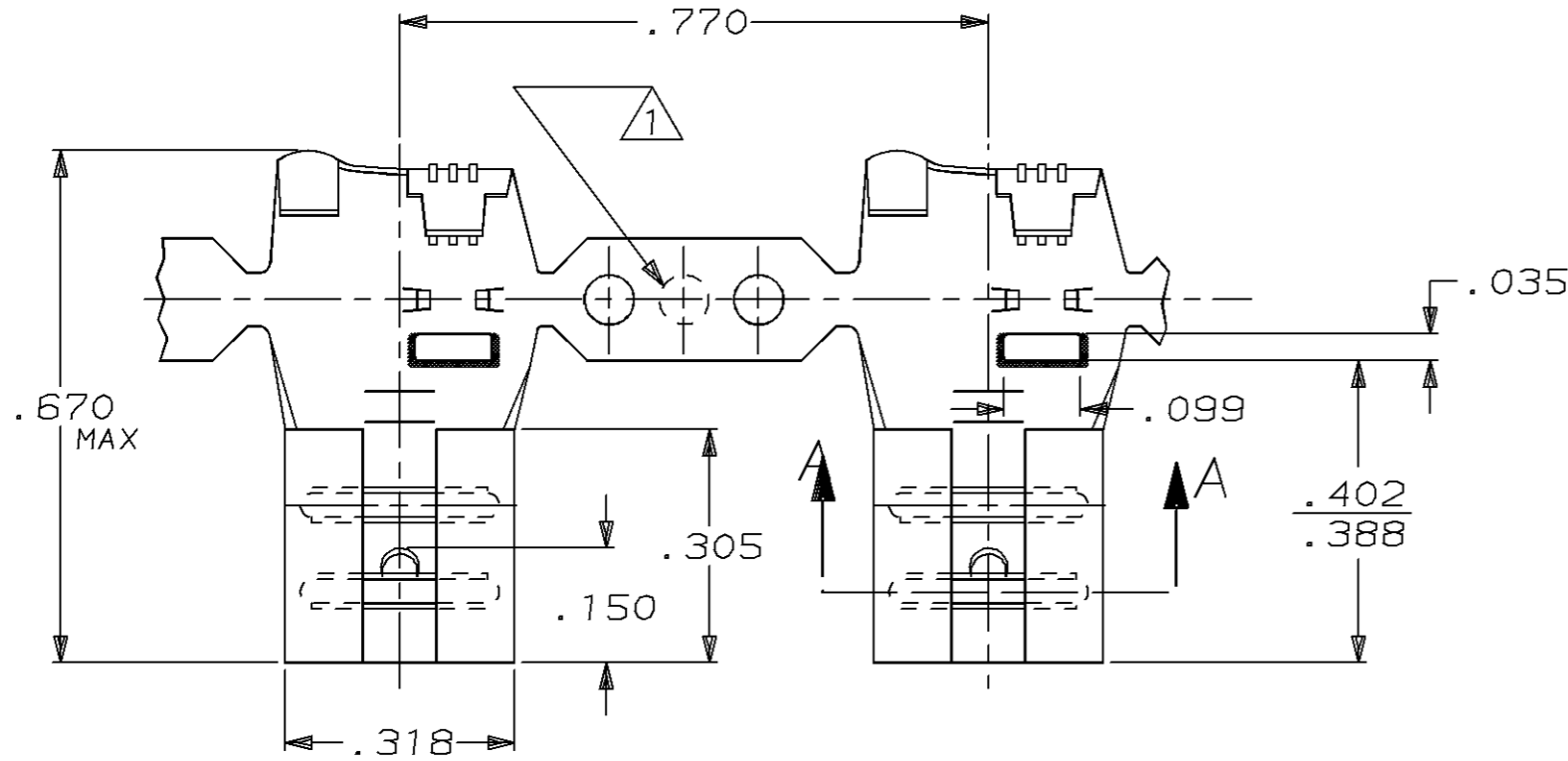
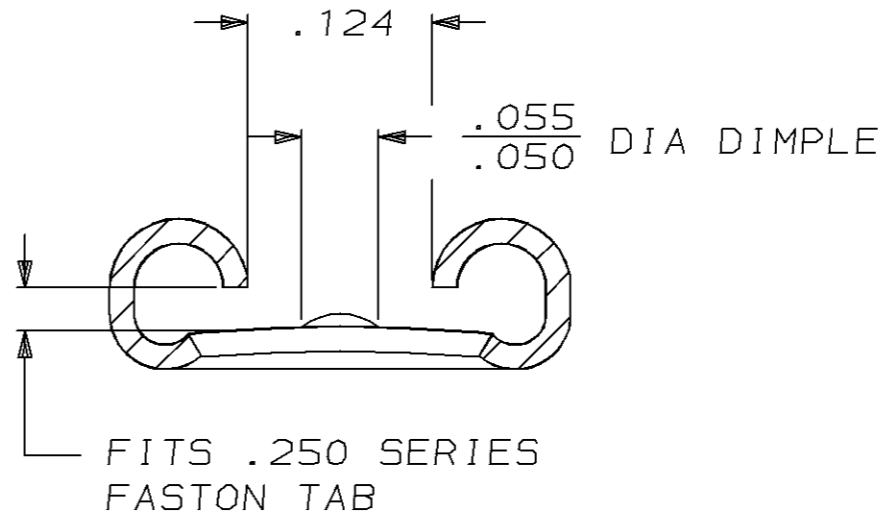


THIS DRAWING IS UNPUBLISHED. RELEASED FOR PUBLICATION, 19
 © COPYRIGHT 19 BY AMP INCORPORATED. ALL INTERNATIONAL RIGHTS RESERVED.

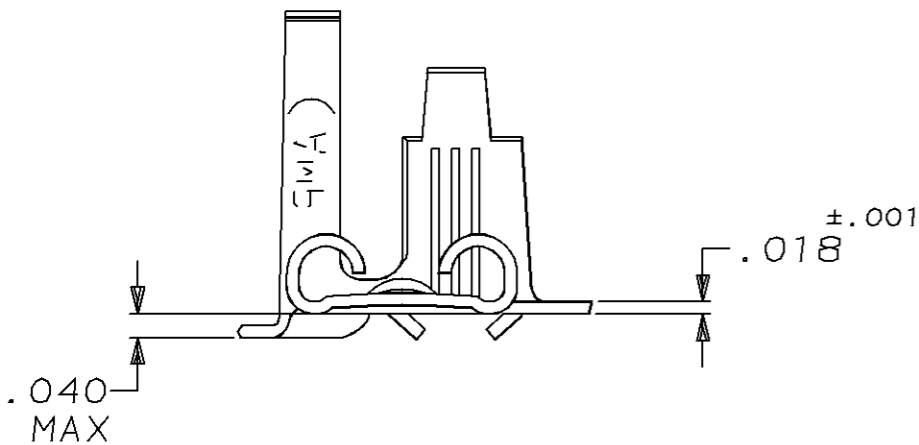
| LOC | DIST | P | F | ZONE | LTR | REVISIONS | | |
|-----|------|---|---|------|-----|----------------------------|----------|-------|
| AF | 50 | | | | U | NO CHANGE PER 0710-0498-95 | DATE | APPD |
| | | | | | | | 11/14/95 | JR/PD |



- 1 SINGLE OR DOUBLE PILOT HOLE OPTIONAL
- 2 MAX FIRST INSERTION FORCE, 20 LBS. USING GAGE 100505.



SECTION A-A
SCALE 8:1



| | | | |
|---|--|---|--------------------|
| .110-.210 | 18-12 | .032 | 41800 |
| INSULATION RANGE | WIRE SIZE | MATING TAB THK ±.001 | PART NO |
| DO NOT SCALE PRINT. UNLESS SPECIFIED DIMENSIONS IN INCHES TOLERANCES ON: 2 PLC DEC ± - 3 PLC DEC ± .015 ANGLES ± - | DR 7/12/89 JR RUTH CHK 7/12/89 MS FEHER APPD 7/12/89 C MEYERS APPD 7/12/89 R KUZO PRODUCT SPEC - | AMP INCORPORATED Harrisburg, Pa. 17105 | |
| MATERIAL #3H PHOS BRZ | FINISH TIN | NAME RECEPTACLE, FASTON, FLAG, .250 SERIES | |
| | APPLICATION SPEC - | SIZE B | CAGE CODE 00779 |
| | WEIGHT - | DRAWING NO 41800 | |
| | | SCALE 4:1 | SHEET 1 OF 1 |