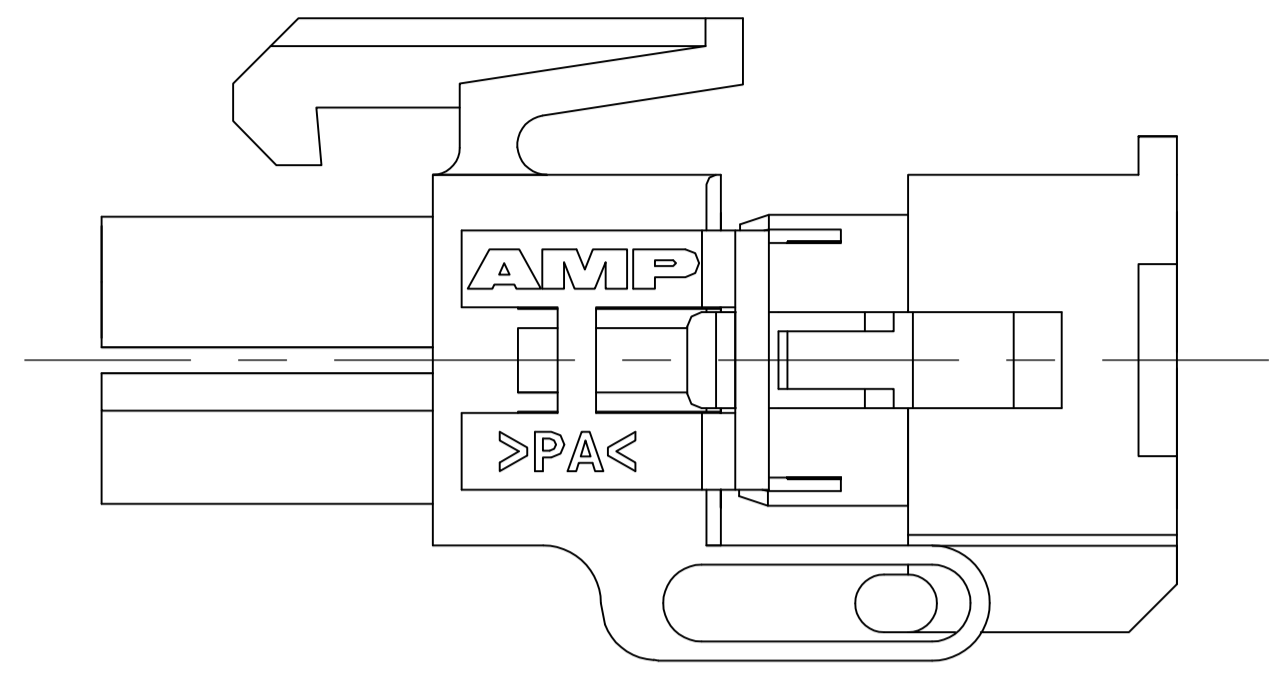
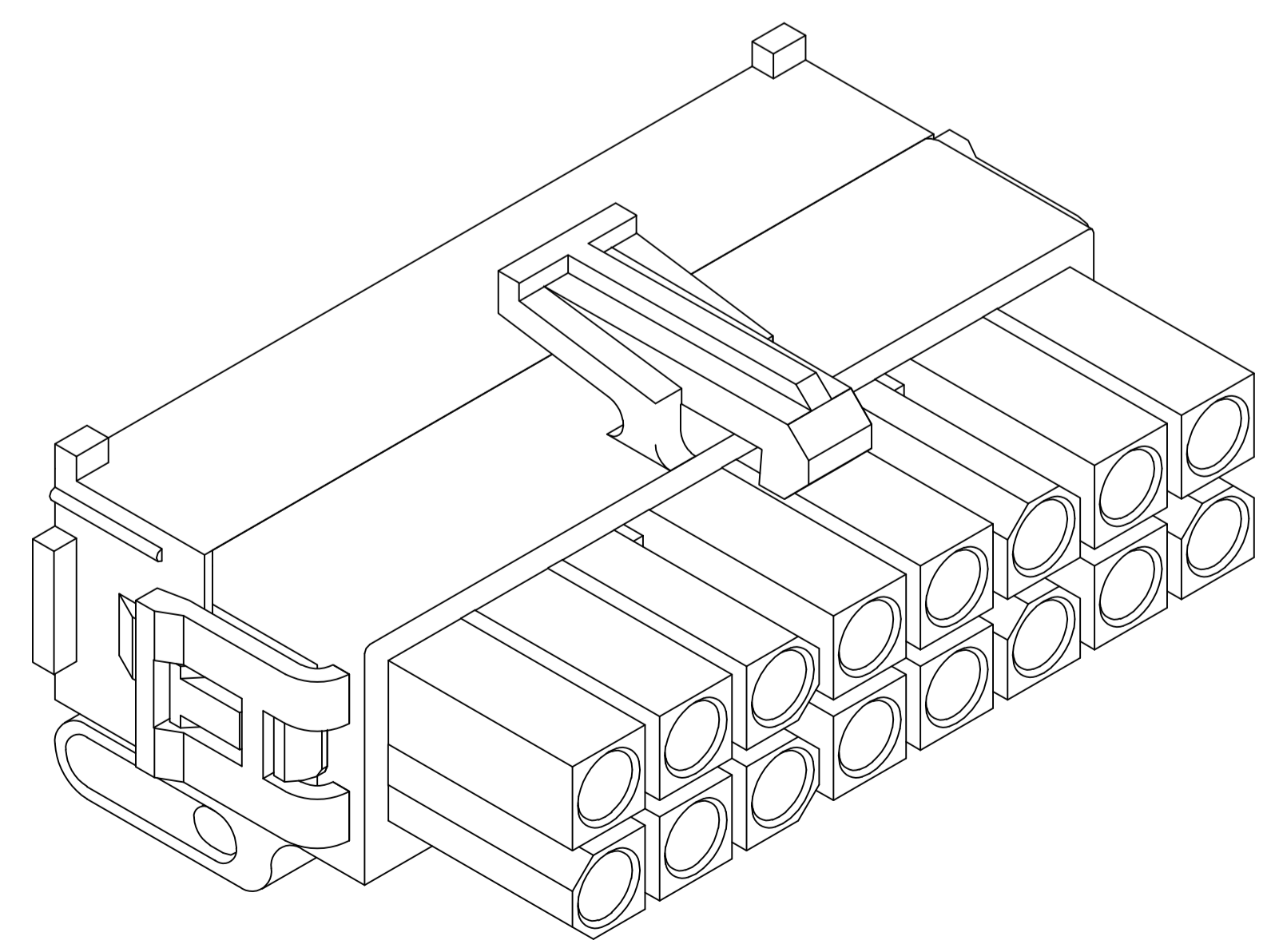
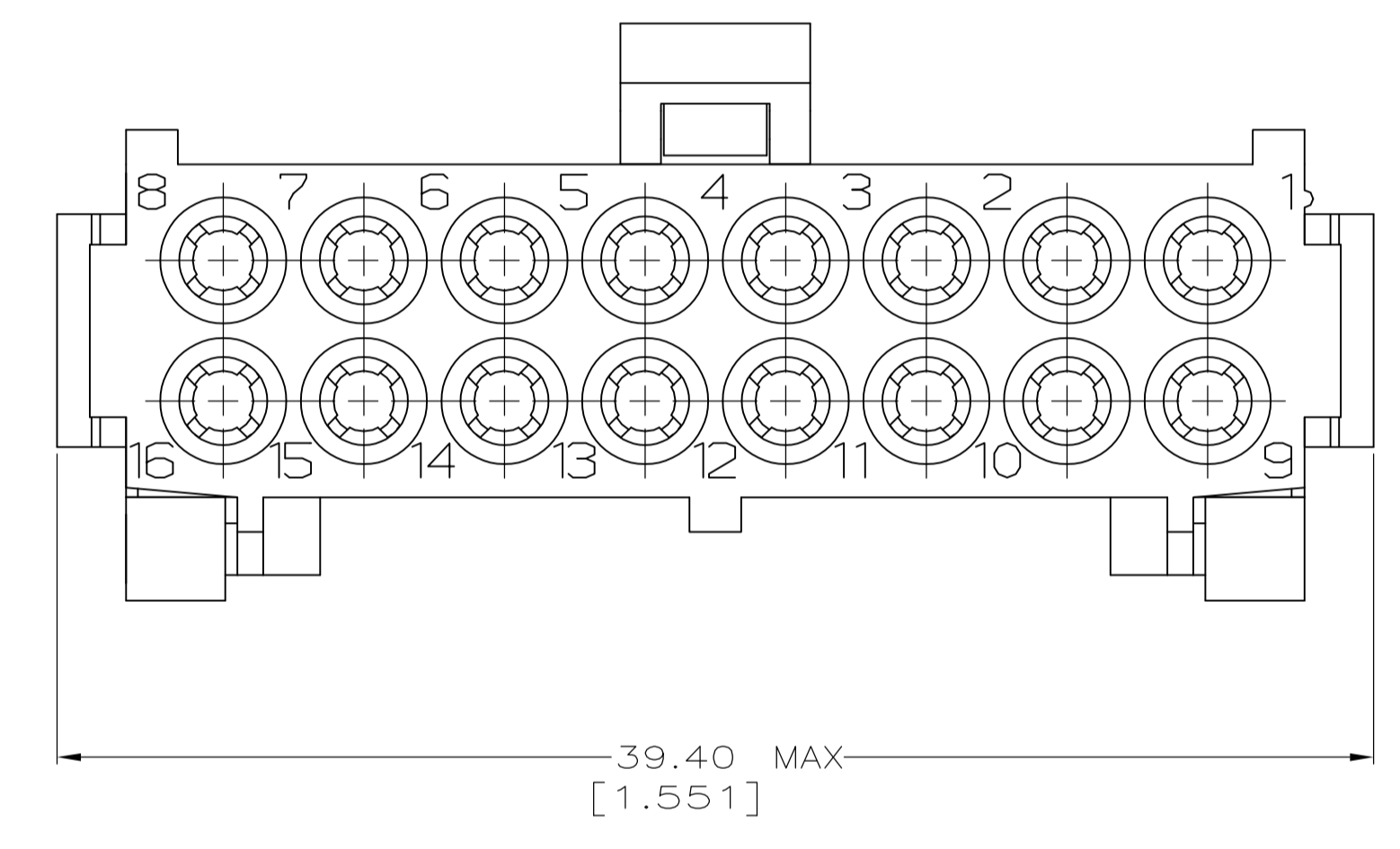
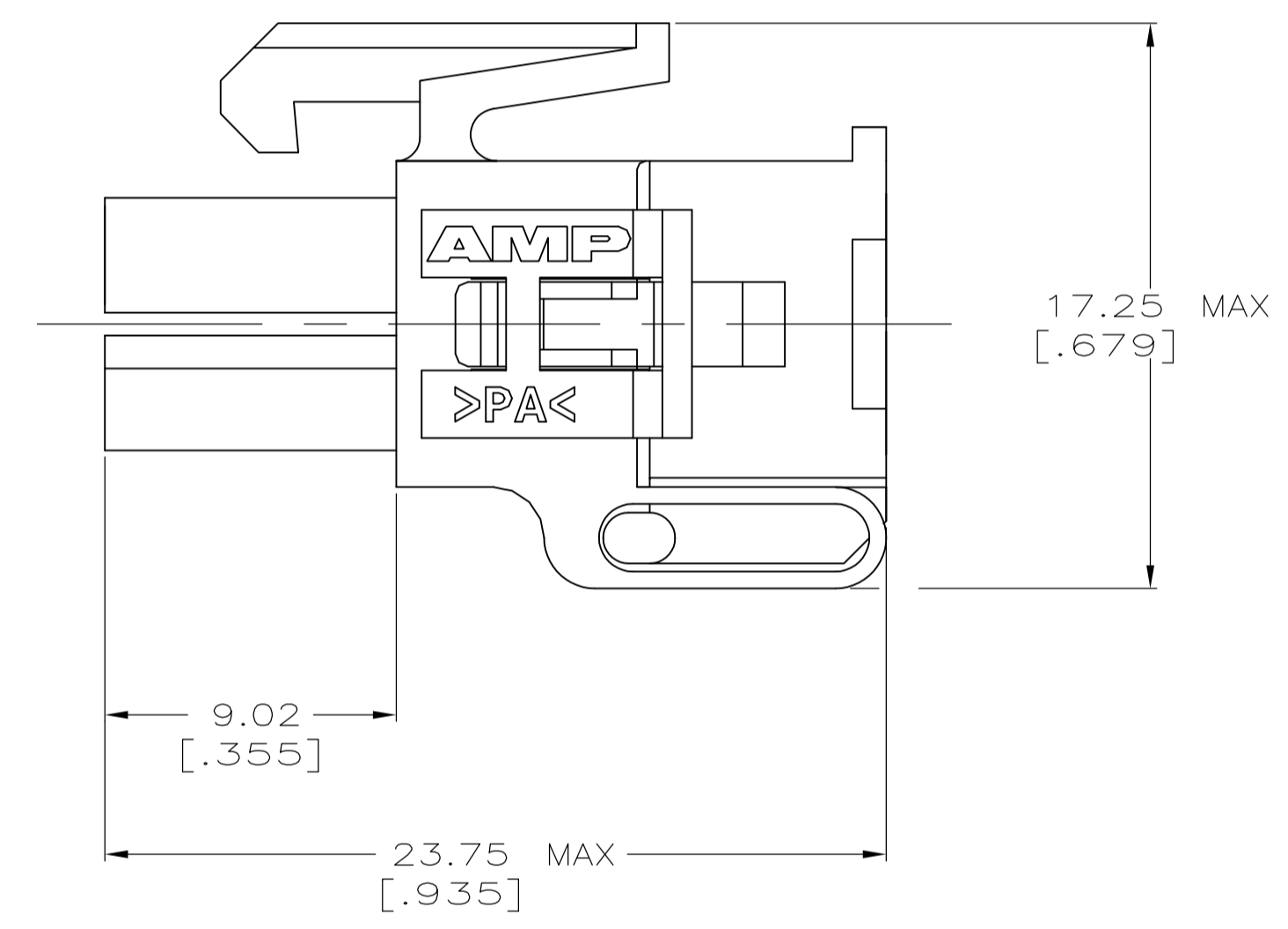
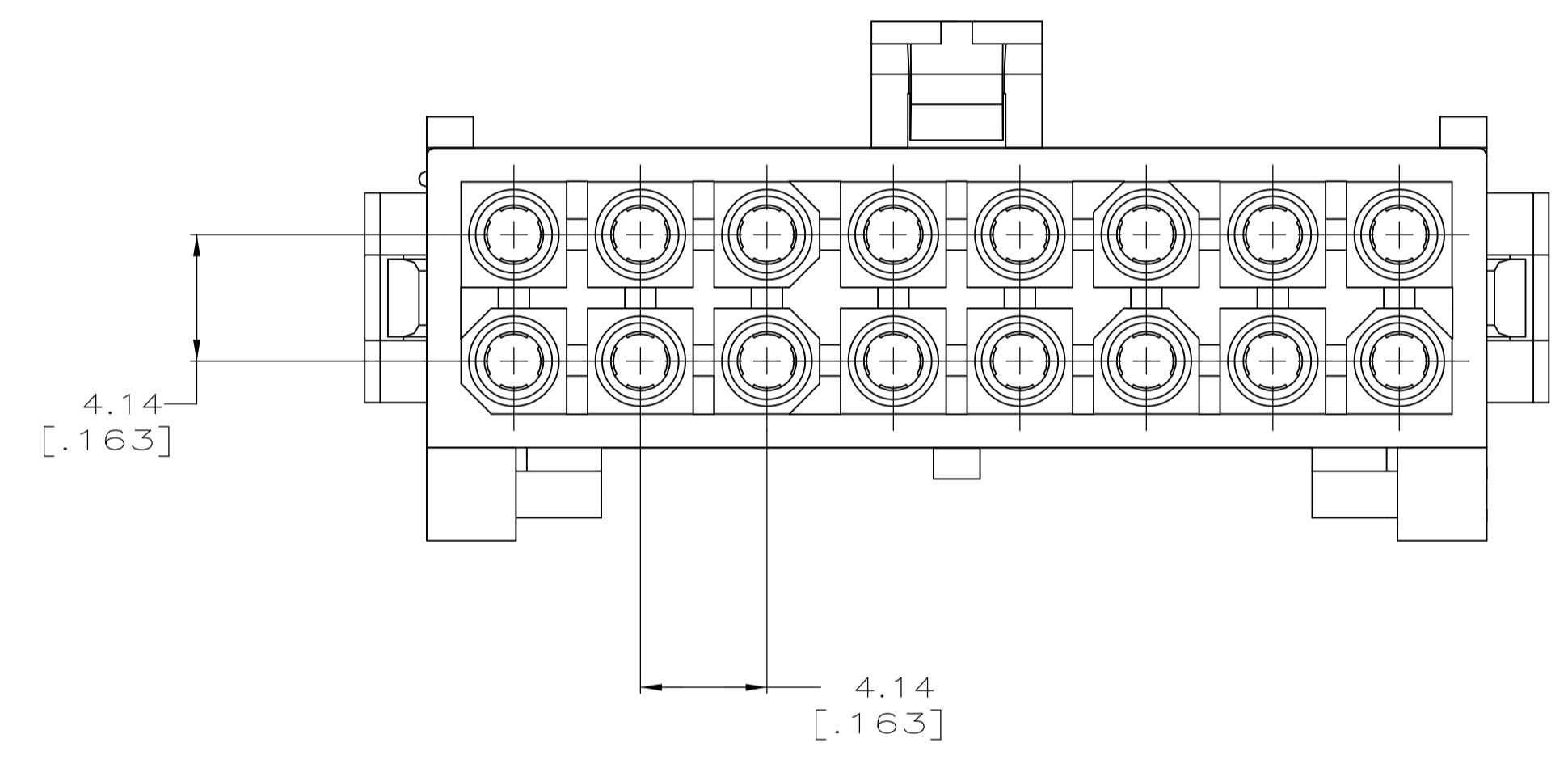


LOC		DIST		REVISIONS			
P	LTR	DESCRIPTION	DATE	DMN	APVD		
CM	53	C1	REVISED PER ECR 10-025344	23FEB11	JR	TM	

1 DIMENSIONS IN BRACKETS ARE IN INCHES.



PRE-STAGED CONDITION



3-DIMENSIONAL MODEL
NTS

METRIC

794259-1
PART NUMBER

THIS DRAWING IS A CONTROLLED DOCUMENT.		DWG K. WHITAKER 5-19-97	Tyco Electronics Corporation Harrisburg, PA 17105-3608
		CHK R. SWING 5-19-97	
DIMENSIONS: mm		APP'D R. ORSTAD 5-19-97	NAME PLUG, 16 CIRCUIT, MINI UNIVERSAL MATE-N-LOK™ 2
TOLERANCES UNLESS OTHERWISE SPECIFIED:		PRODUCT SPEC	APPLICATION SPEC
0. PLC	± -		
1. PLC	± -		
2. PLC	± -		
3. PLC	± 0.13 [0.005]		
4. PLC	± -		
ANGLES	± -		
MATERIAL NYLON,UL94V-2,NATURAL	FINISH -	WEIGHT -	SIZE A1
		CAGE CODE 00779	DRAWING NO 794259
		CUSTOMER DRAWING	RESTRICTED TO -
		SCALE 5:1	SHEET 1 OF 1
			REV C1