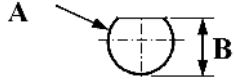
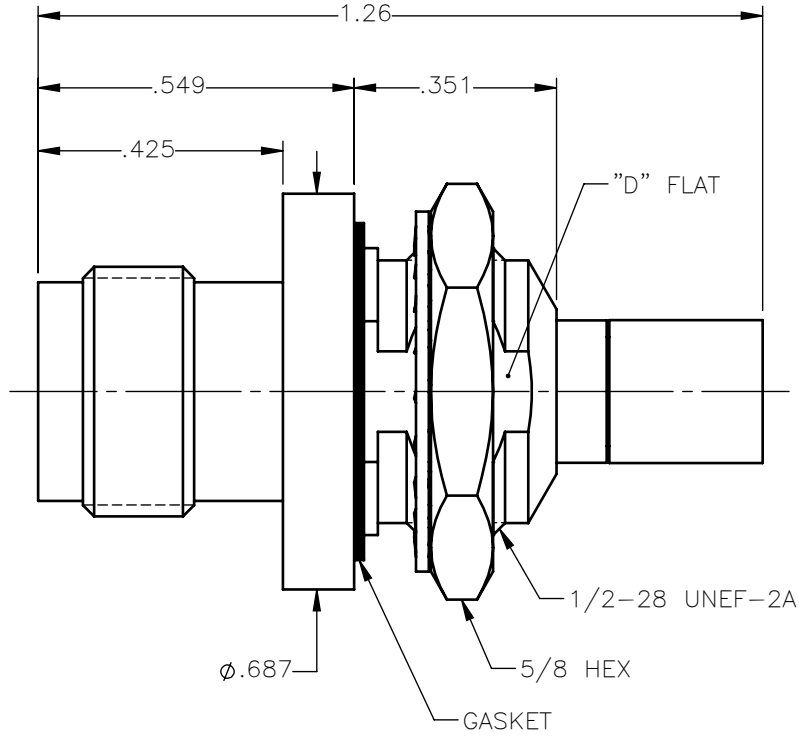


PANEL CUT OUT



inches		
	Maxi	mini
A	.475	.471
B	.509	.505

REVISIONS			
REV.	DESCRIPTION	DATE	APPROVED
A	INITIAL RELEASE	04/26/18	C.E.



NOTES:

MATERIALS:

- INSULATORS = VIRGIN WHITE TEFLON PER ASTM D1710, GRADE 1, TYPE I, CLASS "B".
- CONTACTS & SPRING = BERYLLIUM COPPER PER ASTM B196, ALLOY C17300, TEMPER TD04.
- LOCKWASHER = PHOSPHOR BRONZE PER ASTM B139, COPPER ALLOY C53400, TEMPER H04.
- SLEEVE = BRASS PER C36000, ANNEALING 1H AT 500°C, HARDNESS 80-120 HV.
- GASKET = SILICONE RUBBER PER ZZ-R-765, CLASS 2B, GRADE 65-75.
- ALL OTHER METAL PARTS = BRASS PER ASTM B16, ALLOY C36000, TEMPER H02.

FINISHES:

- CONTACTS = GOLD PLATE PER ASTM B488-01, TYPE II, 50µin MIN, GRADE C, OVER 100 TO 200µin STRESS FREE SULFAMATE NICKEL PER QQ-N-290.
- ALL OTHER METAL PARTS = NICKEL PLATE PER AMS-QQ-N-290, CLASS 1, GRADE G, EXCEPT 100 TO 200µin THICK OVER 50 TO 100µin THICK COPPER PER AMS 2418.

UNLESS OTHERWISE SPECIFIED DIMENSIONS ARE IN INCHES TOLERANCES ON

DWN:	DATE
C.E.	04/26/18
CHKD:	DATE
D.N.	04/26/18
APVD:	DATE
J.M.	04/26/18



Property of Radiall
This document cannot be reproduced or communicated to a third party without prior written permission of RADIALL.



TNC BULKHEAD JACK FRONT MOUNT TO SMB FEMALE PLUG ADAPTER

REFERENCE:
ORIGINATED: C.E.
DATE: 04/26/18

MATERIALS & FINISHES:
SEE NOTES

SIZE	FSCM NO.	DWG. NO.	REV
A	19505	5113-7501-000	A
SCALE	THIRD ANGLE PROJECTION		SHEET 1 OF 1
3:1			

5113-7501-000