

# ME-IO 37,6 LEB 10U TBUS 7035 - Mounting base housing



1103436

<https://www.phoenixcontact.com/us/products/1103436>

Please be informed that the data shown in this PDF document is generated from our online catalog. Please find the complete data in the user documentation. Our general terms of use for downloads are valid.



DIN rail housing, Lower housing part with metal foot catch, with vents, width: 37.89 mm, height: 120.6 mm, depth: 82.85 mm, color: light grey (7035), cross connection: DIN rail connector (optional), number of positions cross connector: 5 or 8

## Your advantages

- Easy, tool-free mounting
- Optional DIN rail connector for easy module-to-module communication
- Lock and Release principle for automatic latching and intuitive release of the front connection plug
- Plastic in accordance with UL94 V0: for more rigorous flammability requirements
- L-design: ideal for flush integration of standard interfaces such as RJ45
- Versatile use: deeper design for more PCB space
- Greater flexibility: combination with ICS series electronics housing using DIN rail connectors

## Commercial data

Item number	1103436
Packing unit	1 pc
Minimum order quantity	5 pc
Sales key	AC15
Product key	ACHEBA
GTIN	4055626964935
Weight per piece (including packing)	56.19 g
Weight per piece (excluding packing)	38.71 g
Customs tariff number	85389099
Country of origin	CN

# ME-IO 37,6 LEB 10U TBUS 7035 - Mounting base housing

1103436

<https://www.phoenixcontact.com/us/products/1103436>

## Technical data

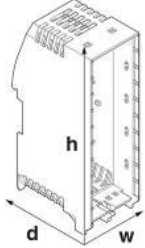
### Notes

General	Refer to the data sheet for the range in the download area.
General	Material of contact pads for bus connector, galvanic gold (hard gold)

### Product properties

Product type	Enclosure bottom part
Max. number of positions	60 (pitch: 3.45 mm)
	40 (pitch: 5 mm)
Type	Lower housing part with metal foot catch
Housing type	DIN rail housing
Ventilation openings present	yes
Housing series	ME-IO

### Dimensions

Dimensional drawing	
Width	37.89 mm
Height	120.6 mm
Depth	82.85 mm
Depth from top edge of DIN rail	76.25 mm

### PCB design

PCB thickness	1.4 mm ... 1.8 mm
---------------	-------------------

### Material specifications

Color	light grey (7035)
Flammability rating according to UL 94	V0
Surface characteristics	untreated
Housing material	Polyamide

### Environmental and real-life conditions

#### Power dissipation single housing for 20 °C

Ambient temperature	20 °C
Reduction factor	1
Mounting position	vertical

# ME-IO 37,6 LEB 10U TBUS 7035 - Mounting base housing



1103436

<https://www.phoenixcontact.com/us/products/1103436>

Power dissipation	18.45 W
-------------------	---------

## Power dissipation single housing for 30 °C

Ambient temperature	30 °C
Reduction factor	0.83
Mounting position	vertical
Power dissipation	15.3 W

## Power dissipation single housing for 40 °C

Ambient temperature	40 °C
Reduction factor	0.64
Mounting position	vertical
Power dissipation	11.88 W

## Power dissipation single housing for 50 °C

Ambient temperature	50 °C
Reduction factor	0.5
Mounting position	vertical
Power dissipation	9.18 W

## Power dissipation single housing for 60 °C

Ambient temperature	60 °C
Reduction factor	0.3
Mounting position	vertical
Power dissipation	5.85 W

## Vibration test

Specification	IEC 60068-2-6:2007-12
Frequency	10 - 150 - 10 Hz
Sweep speed	1 octave/min
Amplitude	0.15 mm (10 Hz ... 58.1 Hz)
Acceleration	2g (58.1 Hz ... 150 Hz)
Test duration per axis	2.5 h
Test directions	X-, Y- and Z-axis

## Glow-wire test

Specification	IEC 60695-2-11:2014-02
Temperature	850 °C
Time of exposure	30 s

## Thermal stability / ball thrust test

Specification	IEC 60695-10-2:2014-02
Temperature	125 °C
Test duration	1 h
Force	20 N

## Mechanical strength / tumbling barrel

Specification	IEC 60068-2-31:2008-05
---------------	------------------------

# ME-IO 37,6 LEB 10U TBUS 7035 - Mounting base housing



1103436

<https://www.phoenixcontact.com/us/products/1103436>

Height of fall	50 cm
Frequency	50

## Shocks

Specification	IEC 60068-2-27:2008-02
Pulse shape	Semi-sinusoidal
Acceleration	15g
Shock duration	11 ms
Number of shocks per direction	3
Test directions	X-, Y- and Z-axis (pos. and neg.)

## Test for substances that would hinder coating with paint or varnish

Specification	VDMA 24364:2018-05
---------------	--------------------

## Degree of protection (IP code)

Specification	IEC 60529:1989-11 + AMD 1:1999-11 + AMD 2:2013-08
---------------	---

## Ambient conditions

Max. IP code to attain	IP20
Ambient temperature (operation)	-40 °C ... 105 °C (depending on power dissipation)
Ambient temperature (storage/transport)	-40 °C ... 55 °C
Ambient temperature (assembly)	-5 °C ... 100 °C
Relative humidity (storage/transport)	80 %

## PCB data

Number of PCB holders	2
Type of PCB mount	Latching
Total PCB surface	14200 mm <sup>2</sup>
Thickness of the PCB	1.4 mm ... 1.8 mm

## Mounting

Mounting type	DIN rail mounting
Mounting position	Vertical (horizontal DIN rail)

## Packaging specifications

Type of packaging	packed in cardboard
Outer packaging type	Carton

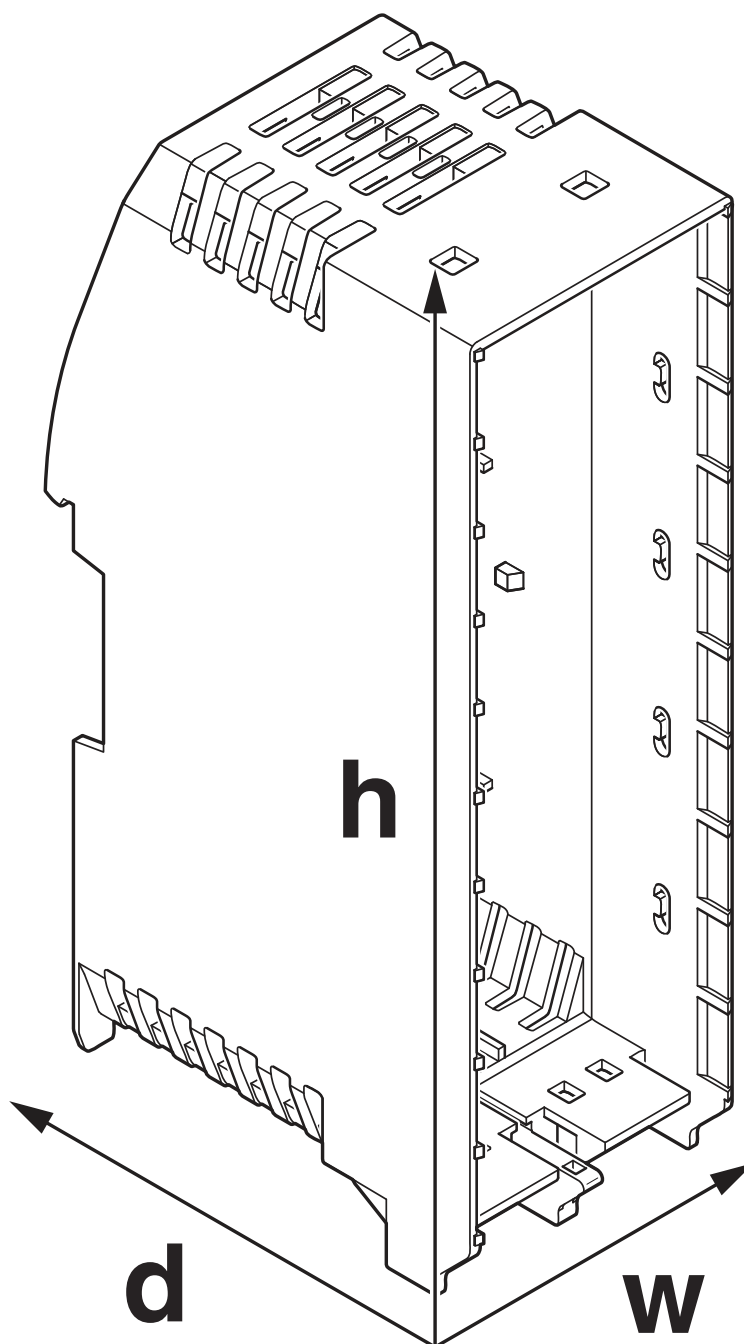
# ME-IO 37,6 LEB 10U TBUS 7035 - Mounting base housing

1103436

<https://www.phoenixcontact.com/us/products/1103436>

## Drawings

Dimensional drawing



Schematic figure for illustrating the item dimensions. The figure is not of the desired product. For further details, refer to the product drawings in the "Downloads" tab.

# ME-IO 37,6 LEB 10U TBUS 7035 - Mounting base housing



1103436

<https://www.phoenixcontact.com/us/products/1103436>

## Approvals

To download certificates, visit the product detail page: <https://www.phoenixcontact.com/us/products/1103436>



**UL Recognized**

Approval ID: FILE E 240868

# ME-IO 37,6 LEB 10U TBUS 7035 - Mounting base housing



1103436

<https://www.phoenixcontact.com/us/products/1103436>

## Classifications

### ECLASS

ECLASS-11.0	27182702
ECLASS-13.0	27190601

### ETIM

ETIM 8.0	EC001031
----------	----------

### UNSPSC

UNSPSC 21.0	31261500
-------------	----------

# ME-IO 37,6 LEB 10U TBUS 7035 - Mounting base housing



1103436

<https://www.phoenixcontact.com/us/products/1103436>

## Environmental product compliance

China RoHS	Environmentally friendly use period: unlimited = EFUP-e No hazardous substances above threshold values
------------	---

Phoenix Contact 2023 © - all rights reserved  
<https://www.phoenixcontact.com>

Phoenix Contact USA  
586 Fulling Mill Road  
Middletown, PA 17057, United States  
(+717) 944-1300  
[info@phoenixcon.com](mailto:info@phoenixcon.com)