



Power contactor, AC-3 50 A, 22 kW / 400 V 2 NO + 2 NC 175-280 V  
AC/DC varistor, 4-pole size S2 screw terminals 1 NO + 1 NC integrated

<b>product brand name</b>	SIRIUS
<b>product designation</b>	contactor
<b>product type designation</b>	3RT25
<b>General technical data</b>	
<b>size of contactor</b>	S2
<b>product extension</b>	
<ul style="list-style-type: none"> <li>function module for communication</li> <li>auxiliary switch</li> </ul>	<p>No</p> <p>Yes</p>
<b>insulation voltage</b>	
<ul style="list-style-type: none"> <li>of main circuit with degree of pollution 3 rated value</li> <li>of auxiliary circuit with degree of pollution 3 rated value</li> </ul>	<p>690 V</p> <p>690 V</p>
<b>surge voltage resistance</b>	
<ul style="list-style-type: none"> <li>of main circuit rated value</li> <li>of auxiliary circuit rated value</li> </ul>	<p>6 kV</p> <p>6 kV</p>
maximum permissible voltage for safe isolation between coil and main contacts according to EN 60947-1	400 V
<b>shock resistance at rectangular impulse</b>	
<ul style="list-style-type: none"> <li>at AC</li> <li>at DC</li> </ul>	<p>7.7g / 5 ms, 4.5g / 10 ms</p> <p>7.7g / 5 ms, 4.5g / 10 ms</p>
<b>shock resistance with sine pulse</b>	
<ul style="list-style-type: none"> <li>at AC</li> <li>at DC</li> </ul>	<p>12g / 5 ms, 7g / 10 ms</p> <p>12g / 5 ms, 7g / 10 ms</p>
<b>mechanical service life (switching cycles)</b>	
<ul style="list-style-type: none"> <li>of contactor typical</li> <li>of the contactor with added electronically optimized auxiliary switch block typical</li> <li>of the contactor with added auxiliary switch block typical</li> </ul>	<p>10 000 000</p> <p>5 000 000</p> <p>10 000 000</p>
<b>reference code according to IEC 81346-2</b>	Q
<b>Substance Prohibitance (Date)</b>	10/01/2014
<b>Ambient conditions</b>	
installation altitude at height above sea level maximum	2 000 m
<b>ambient temperature</b>	
<ul style="list-style-type: none"> <li>during operation</li> <li>during storage</li> </ul>	<p>-40 ... +70 °C</p> <p>-55 ... +80 °C</p>
<b>relative humidity minimum</b>	10 %
<b>relative humidity at 55 °C according to IEC 60068-2-30 maximum</b>	95 %
<b>Main circuit</b>	

<b>number of poles for main current circuit</b>	4
<b>number of NO contacts for main contacts</b>	2
<b>number of NC contacts for main contacts</b>	2
<b>operational current</b>	
<ul style="list-style-type: none"> <li>● at AC-1 up to 690 V <ul style="list-style-type: none"> <li>— at ambient temperature 40 °C rated value</li> <li>— at ambient temperature 60 °C rated value</li> </ul> </li> <li>● at AC-2 at AC-3 at 400 V <ul style="list-style-type: none"> <li>— per NO contact rated value</li> <li>— per NC contact rated value</li> </ul> </li> </ul>	70 A 60 A 41 A 41 A
minimum cross-section in main circuit at maximum AC-1 rated value	25 mm <sup>2</sup>
<b>operational current</b>	
<ul style="list-style-type: none"> <li>● <b>at 1 current path at DC-1</b> <ul style="list-style-type: none"> <li>— at 24 V rated value</li> <li>— at 110 V rated value</li> <li>— at 220 V rated value</li> <li>— at 440 V rated value</li> </ul> </li> <li>● <b>with 2 current paths in series at DC-1</b> <ul style="list-style-type: none"> <li>— at 24 V rated value</li> <li>— at 110 V rated value</li> <li>— at 220 V rated value</li> <li>— at 440 V rated value</li> </ul> </li> <li>● <b>at 1 current path at DC-3 at DC-5</b> <ul style="list-style-type: none"> <li>— at 24 V per NC contact rated value</li> <li>— at 24 V per NO contact rated value</li> <li>— at 110 V per NC contact rated value</li> <li>— at 110 V per NO contact rated value</li> <li>— at 220 V per NC contact rated value</li> <li>— at 220 V per NO contact rated value</li> <li>— at 440 V per NC contact rated value</li> <li>— at 440 V per NO contact rated value</li> </ul> </li> <li>● <b>with 2 current paths in series at DC-3 at DC-5</b> <ul style="list-style-type: none"> <li>— at 24 V per NC contact rated value</li> <li>— at 24 V per NO contact rated value</li> <li>— at 110 V per NC contact rated value</li> <li>— at 110 V per NO contact rated value</li> <li>— at 220 V per NC contact rated value</li> <li>— at 220 V per NO contact rated value</li> <li>— at 440 V per NC contact rated value</li> <li>— at 440 V per NO contact rated value</li> </ul> </li> </ul>	60 A 4.5 A 1 A 0.4 A 55 A 45 A 5 A 1 A 35 A 35 A 1.25 A 2.5 A 0.5 A 1 A 0.045 A 0.1 A 55 A 55 A 12.5 A 25 A 2.5 A 5 A 0.135 A 0.27 A
operating power at AC-2 at AC-3	
<ul style="list-style-type: none"> <li>● at 230 V per NC contact rated value</li> <li>● at 230 V per NO contact rated value</li> <li>● at 400 V per NC contact rated value</li> <li>● at 400 V per NO contact rated value</li> </ul>	15 kW 15 kW 22 kW 22 kW
<b>short-time withstand current in cold operating state up to 40 °C</b>	
<ul style="list-style-type: none"> <li>● limited to 1 s switching at zero current maximum</li> <li>● limited to 5 s switching at zero current maximum</li> <li>● limited to 10 s switching at zero current maximum</li> <li>● limited to 30 s switching at zero current maximum</li> <li>● limited to 60 s switching at zero current maximum</li> </ul>	546 A; Use minimum cross-section acc. to AC-1 rated value 443 A; Use minimum cross-section acc. to AC-1 rated value 334 A; Use minimum cross-section acc. to AC-1 rated value 241 A; Use minimum cross-section acc. to AC-1 rated value 196 A; Use minimum cross-section acc. to AC-1 rated value
<b>power loss [W] at AC-3 at 400 V for rated value of the operational current per conductor</b>	4 W
<b>no-load switching frequency</b>	
<ul style="list-style-type: none"> <li>● at AC</li> <li>● at DC</li> </ul>	500 1/h 500 1/h
<b>operating frequency</b>	
<ul style="list-style-type: none"> <li>● at AC-1 maximum</li> </ul>	350 1/h

Control circuit/ Control

<b>type of voltage of the control supply voltage</b>	AC/DC
<b>control supply voltage at AC</b>	
• at 50 Hz rated value	175 ... 280 V
• at 60 Hz rated value	175 ... 280 V
<b>control supply voltage at DC</b>	
• rated value	175 ... 280 V
<b>operating range factor control supply voltage rated value of magnet coil at DC</b>	
• initial value	0.8
• full-scale value	1.1
<b>operating range factor control supply voltage rated value of magnet coil at AC</b>	
• at 50 Hz	0.8 ... 1.1
• at 60 Hz	0.8 ... 1.1
<b>design of the surge suppressor</b>	with varistor
<b>inrush current peak</b>	25 A
<b>duration of inrush current peak</b>	10 µs
<b>locked-rotor current mean value</b>	0.58 A
<b>locked-rotor current peak</b>	1.5 A
<b>duration of locked-rotor current</b>	230 ms
<b>holding current mean value</b>	10 mA
<b>apparent pick-up power of magnet coil at AC</b>	110 VA
• at 50 Hz	110 VA
• at 60 Hz	110 VA
<b>inductive power factor with closing power of the coil</b>	0.72
• at 50 Hz	0.95
• at 60 Hz	0.95
<b>apparent holding power of magnet coil at AC</b>	2.5 VA
• at 50 Hz	2.5 VA
• at 60 Hz	2.5 VA
<b>inductive power factor with the holding power of the coil</b>	0.95
• at 50 Hz	0.95
• at 60 Hz	0.95
<b>closing power of magnet coil at DC</b>	70 W
<b>holding power of magnet coil at DC</b>	1.5 W
<b>closing delay</b>	
• at AC	30 ... 100 ms
• at DC	30 ... 100 ms
<b>opening delay</b>	
• at AC	30 ... 55 ms
• at DC	30 ... 55 ms
<b>arcing time</b>	10 ... 20 ms
<b>control version of the switch operating mechanism</b>	UC
<b>residual current of the electronics for control with signal &lt;0&gt;</b>	
• at AC at 230 V maximum permissible	20 A
• at DC at 24 V maximum permissible	20 A
<b>Auxiliary circuit</b>	
number of NC contacts for auxiliary contacts instantaneous contact	1
number of NO contacts for auxiliary contacts instantaneous contact	1
operational current at AC-12 maximum	10 A
<b>operational current at AC-15</b>	
• at 230 V rated value	6 A
• at 400 V rated value	3 A
• at 500 V rated value	2 A
• at 690 V rated value	1 A
<b>operational current at DC-12</b>	
• at 24 V rated value	10 A

<ul style="list-style-type: none"> <li>• at 48 V rated value</li> <li>• at 60 V rated value</li> <li>• at 110 V rated value</li> <li>• at 125 V rated value</li> <li>• at 220 V rated value</li> <li>• at 600 V rated value</li> </ul>	6 A 6 A 3 A 2 A 1 A 0.15 A
<b>operational current at DC-13</b> <ul style="list-style-type: none"> <li>• at 24 V rated value</li> <li>• at 48 V rated value</li> <li>• at 60 V rated value</li> <li>• at 110 V rated value</li> <li>• at 125 V rated value</li> <li>• at 220 V rated value</li> <li>• at 600 V rated value</li> </ul>	10 A 2 A 2 A 1 A 0.9 A 0.3 A 0.1 A
<b>contact reliability of auxiliary contacts</b>	1 faulty switching per 100 million (17 V, 1 mA)
<b>UL/CSA ratings</b>	
<b>yielded mechanical performance [hp]</b>	
<ul style="list-style-type: none"> <li>• for 3-phase AC motor at 460/480 V rated value</li> </ul>	25 hp
<b>contact rating of auxiliary contacts according to UL</b>	A600 / P600
<b>Short-circuit protection</b>	
<b>design of the fuse link</b>	
<ul style="list-style-type: none"> <li>• for short-circuit protection of the main circuit               <ul style="list-style-type: none"> <li>— with type of coordination 1 required</li> <li>— with type of assignment 2 required</li> </ul> </li> <li>• for short-circuit protection of the auxiliary switch required</li> </ul>	gG: 160 A (690 V, 100 kA) gG: 80 A (690 V, 100 kA) fuse gG: 10 A
<b>Installation/ mounting/ dimensions</b>	
<b>mounting position</b>	+/-180° rotation possible on vertical mounting surface; can be tilted forward and backward by +/- 22.5° on vertical mounting surface
<b>fastening method</b>	screw and snap-on mounting onto 35 mm standard mounting rail according to DIN EN 50022
<ul style="list-style-type: none"> <li>• side-by-side mounting</li> </ul>	Yes
<b>height</b>	114 mm
<b>width</b>	75 mm
<b>depth</b>	130 mm
<b>required spacing</b>	
<ul style="list-style-type: none"> <li>• with side-by-side mounting               <ul style="list-style-type: none"> <li>— forwards</li> <li>— backwards</li> <li>— upwards</li> <li>— downwards</li> <li>— at the side</li> </ul> </li> <li>• for grounded parts               <ul style="list-style-type: none"> <li>— forwards</li> <li>— backwards</li> <li>— upwards</li> <li>— at the side</li> <li>— downwards</li> </ul> </li> <li>• for live parts               <ul style="list-style-type: none"> <li>— forwards</li> <li>— backwards</li> <li>— upwards</li> <li>— downwards</li> <li>— at the side</li> </ul> </li> </ul>	0 mm 0 mm 0 mm 0 mm 0 mm 0 mm 0 mm 0 mm 50 mm 10 mm 50 mm 0 mm 0 mm 50 mm 50 mm 10 mm
<b>Connections/ Terminals</b>	
<b>type of electrical connection</b>	
<ul style="list-style-type: none"> <li>• for main current circuit</li> <li>• for auxiliary and control circuit</li> <li>• at contactor for auxiliary contacts</li> <li>• of magnet coil</li> </ul>	screw-type terminals screw-type terminals Screw-type terminals Screw-type terminals

<b>type of connectable conductor cross-sections</b> <ul style="list-style-type: none"> <li>• for main contacts <ul style="list-style-type: none"> <li>— solid</li> <li>— solid or stranded</li> <li>— finely stranded with core end processing</li> </ul> </li> <li>• at AWG cables for main contacts</li> </ul>	2x (1 ... 35 mm <sup>2</sup> ), 1x (1 ... 50 mm <sup>2</sup> ) 2x (1 ... 35 mm <sup>2</sup> ), 1x (1 ... 50 mm <sup>2</sup> ) 2x (1 ... 25 mm <sup>2</sup> ), 1x (1 ... 35 mm <sup>2</sup> ) 2x (18 ... 2), 1x (18 ... 1)
<b>type of connectable conductor cross-sections</b> <ul style="list-style-type: none"> <li>• for auxiliary contacts <ul style="list-style-type: none"> <li>— solid</li> <li>— solid or stranded</li> <li>— finely stranded with core end processing</li> </ul> </li> <li>• at AWG cables for auxiliary contacts</li> </ul>	2x (0.5 ... 1.5 mm <sup>2</sup> ), 2x (0.75 ... 2.5 mm <sup>2</sup> ) 2x (0.5 ... 1.5 mm <sup>2</sup> ), 2x (0.75 ... 2.5 mm <sup>2</sup> ) 2x (0.5 ... 1.5 mm <sup>2</sup> ), 2x (0.75 ... 2.5 mm <sup>2</sup> ) 2x (20 ... 16), 2x (18 ... 14)
AWG number as coded connectable conductor cross section for main contacts	18 ... 1

### Safety related data

<b>product function</b> <ul style="list-style-type: none"> <li>• mirror contact according to IEC 60947-4-1</li> <li>• positively driven operation according to IEC 60947-5-1</li> </ul>	Yes No
<b>protection class IP on the front according to IEC 60529</b>	IP20
<b>touch protection on the front according to IEC 60529</b>	finger-safe, for vertical contact from the front

### Certificates/ approvals

#### General Product Approval



[Confirmation](#)



[KC](#)



EMC	Functional Safety/Safety of Machinery	Declaration of Conformity	Test Certificates
-----	---------------------------------------	---------------------------	-------------------



[Type Examination Certificate](#)



EG-Konf.



[Type Test Certificates/Test Report](#)

[Special Test Certificate](#)

### Marine / Shipping



ABS



DNV



LRS



PRS



RINA

Marine / Shipping	other	Railway	Dangerous Good
-------------------	-------	---------	----------------



RMRS

[Confirmation](#)

[Vibration and Shock](#)

[Transport Information](#)

### Further information

Information- and Downloadcenter (Catalogs, Brochures,...)

<https://www.siemens.com/ic10>

Industry Mall (Online ordering system)

<https://mall.industry.siemens.com/mall/en/en/Catalog/product?mlfb=3RT2536-1NP30>

Cax online generator

<http://support.automation.siemens.com/WW/CAXorder/default.aspx?lang=en&mlfb=3RT2536-1NP30>

Service&Support (Manuals, Certificates, Characteristics, FAQs,...)

<https://support.industry.siemens.com/cs/ww/en/ps/3RT2536-1NP30>

Image database (product images, 2D dimension drawings, 3D models, device circuit diagrams, EPLAN macros, ...)

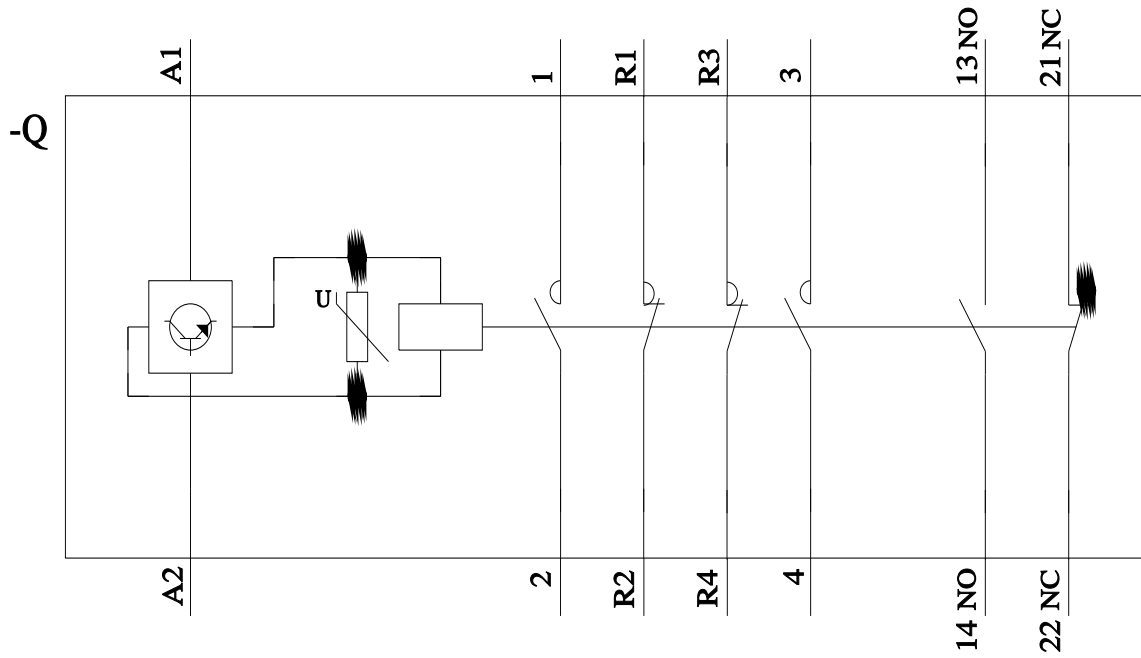
[http://www.automation.siemens.com/bilddb/cax\\_de.aspx?mlfb=3RT2536-1NP30&lang=en](http://www.automation.siemens.com/bilddb/cax_de.aspx?mlfb=3RT2536-1NP30&lang=en)

Characteristic: Tripping characteristics, I<sub>t</sub>, Let-through current

<https://support.industry.siemens.com/cs/ww/en/ps/3RT2536-1NP30/char>

Further characteristics (e.g. electrical endurance, switching frequency)

<http://www.automation.siemens.com/bilddb/index.aspx?view=Search&mlfb=3RT2536-1NP30&objecttype=14&gridview=view1>



last modified:

12/1/2021 