

# Evaluation Board - UWB (3 GHZ ~ 6 GHZ) - CHIP ANTENNA

**ACR1004U-EVB**

Request Samples



Check Inventory



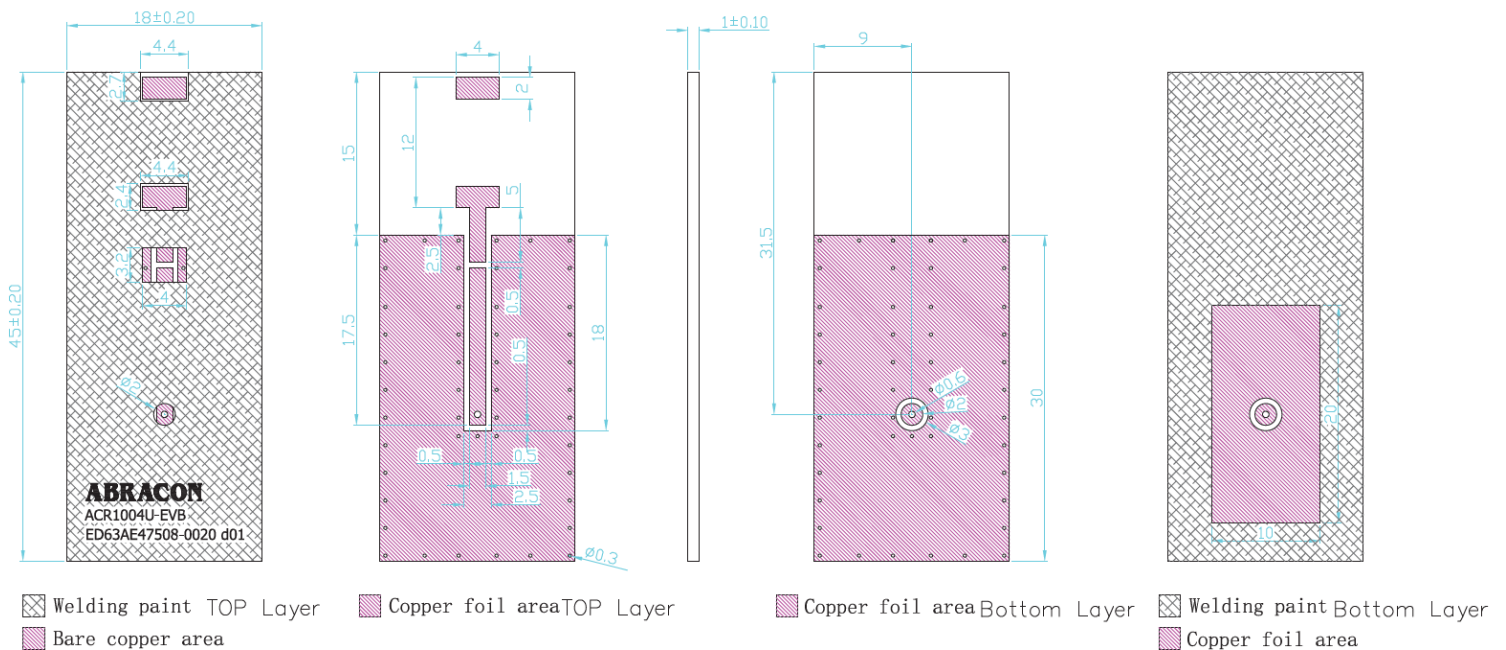
45 x 18 x 1 mm  
**RoHS/RoHS II Compliant**  
 MSL Level = N/A

## Description

ACR1004U-EVB Evaluation boards are designed to provide a means to facilitate engineering evaluation of the chip antenna: ACR1004U. With a typical operating frequency range of 3 ~ 6 GHz, the chip can be used for UWB applications.

To evaluate the performance of antenna, calibrate the Vector Network analyzer (VNA) for the testing frequency band and connect the evaluation board to the calibrated port using the given SMA connector on the board.

## Evaluation Board and Dimensions



**Note:** Evaluation Board dimension: 45 x 18 x 1 mm

Unit: mm



5101 Hidden Creek Ln Spicewood TX 78669  
 Phone: 512-371-6159 | Fax: 512-351-8858  
 For terms and conditions of sales, please visit:  
[www.abracon.com](http://www.abracon.com)

**REVISED: 09-13-21**

ABRACON IS  
 ISO9001-2015  
 CERTIFIED

# Evaluation Board - UWB (3 GHZ ~ 6 GHZ) - CHIP ANTENNA

ACR1004U-EVB

Request Samples



Check Inventory



45 x 18 x 1 mm  
RoHS/RoHS II Compliant  
MSL Level = N/A

## Chip Antenna Dimension



■ Cover Area (Black)

TOP

Unit: mm

# Evaluation Board - UWB (3 GHz ~ 6 GHz) - CHIP ANTENNA

ACR1004U-EVB

Request Samples

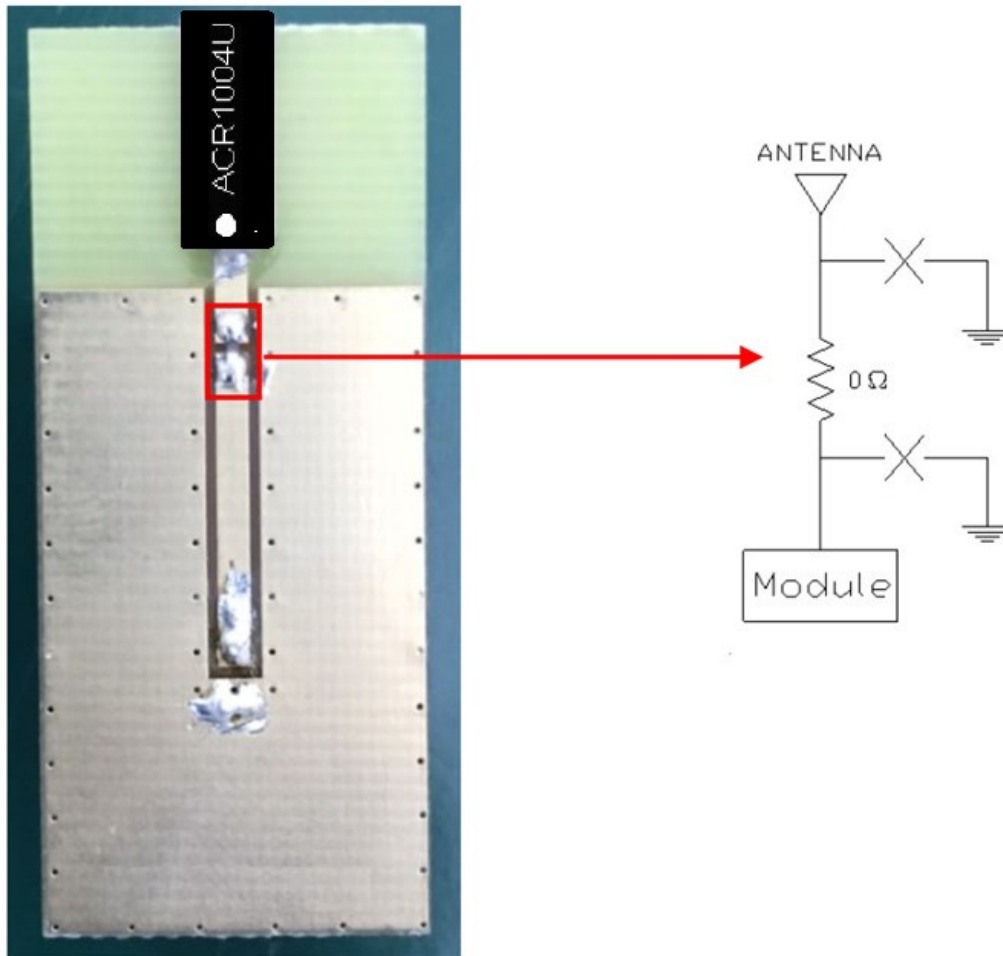


Check Inventory



45 x 18 x 1 mm  
RoHS/RoHS II Compliant  
MSL Level = N/A

## Matching Network on EVB



### Note:

1. Desired metal/ground clearance area: 15 x 18 mm
2. Width of the 50  $\Omega$  line is designed in accordance with the PCB thickness and material considered
3. Matching network (pi - network) provided is in accordance with the EVB layout and matching will differ in the actual customer PCB depending on the layout

**ATTENTION:** Abracon LLC's products are COTS – Commercial-Off-The-Shelf products; suitable for Commercial, Industrial and, where designated, Automotive Applications. Abracon's products are not specifically designed for Military, Aviation, Aerospace, Life-dependent Medical applications or any application requiring high reliability where component failure could result in loss of life and/or property. For applications requiring high reliability and/or presenting an extreme operating environment, written consent and authorization from Abracon LLC is required. Please contact Abracon LLC for more information.



5101 Hidden Creek Ln Spicewood TX 78669  
Phone: 512-371-6159 | Fax: 512-351-8858  
For terms and conditions of sales, please visit:  
[www.abracon.com](http://www.abracon.com)

REVISED: 09-13-21

ABRACON IS  
ISO9001-2015  
CERTIFIED