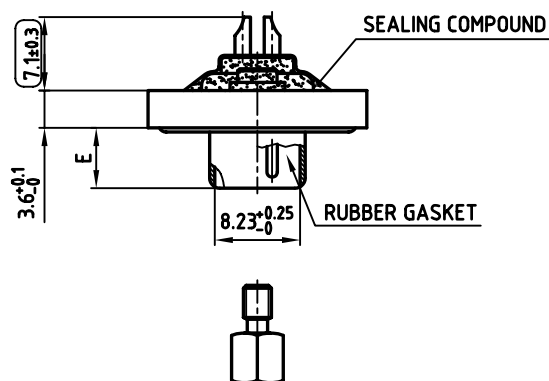
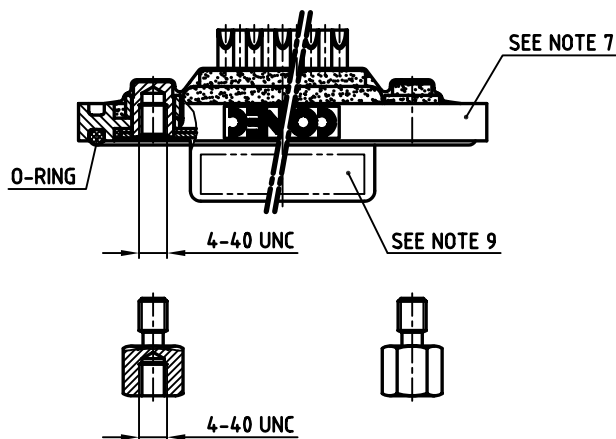
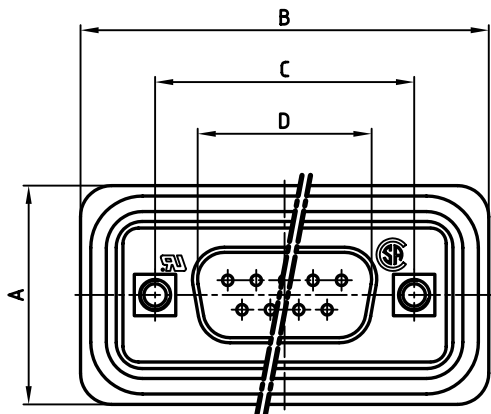


used for: D-SUB

AT ALL TIMES WATER RESISTANT CONNECTORS NOT IN USE SHOULD BE COVERED WITH A CONEC WATER RESISTANT CAP OR WATER TIGHT HOOD.

POS.	A ^{+0.2}	B ^{+0.2}	C	D ^{+0.25}	E ^{-0.30}	Part-NO.
9	21.1	39.4	25.00 ^{+0.12} _{-0.13}	16.79	5.82	6STD09PCM99B30X
15	21.1	47.7	33.30 ^{+0.15} _{-0.1}	25.12	5.82	6STD15PCM99B30X
25	21.1	61.4	47.04 ^{+0.13}	38.84	5.69	6STD25PCM99B30X
37	21.1	77.9	63.50 ^{+0.13}	55.30	5.69	6STD37PCM99B30X



NOTES:

- METALSHELLS: COPPER ALLOY; min. 320µ" TIN
- INSULATORS: PBT GF UL 94 V-0, BLACK
- CONTACTS: COPPER ALLOY
PLATING: 30µ" HARD GOLD OVER min. 50µ" NICKEL
SOLDER CUP ACCEPTS CABLE AWG 20
- THREADED INSERT: COPPER ALLOY; min. 200µ" TIN over 80µ" NICKEL
- COLLAR: COPPER ALLOY; min. 200µ" TIN over 80µ" NICKEL
- HEXLOCKING SCREW: STAINLESS STEEL
- FRAME: ZINC DIECAST; NICKEL PLATED
- MAXIMUM TORQUE VALUE FOR THREAD: 6" LBS
- CONNECTOR IS PART MARKED: PART-NO. CONEC ABC
- = CHECK DIMENSION



APPROVAL * FREIGABE * DEBLOCAGE * AUTORIZACION * APPROVAL

CUSTOMER APPROVAL DATE:

NAME: TITLE:

COMPANY NAME:

APPROVAL * FREIGABE * DEBLOCAGE * AUTORIZACION * APPROVAL

THIS DRAWING MAY NOT BE COPIED OR REPRODUCED IN ANY WAY, AND MAY NOT BE PASSED ON TO A THIRD PARTY, WITHOUT WRITTEN PERMISSION. OWNERSHIP AND COPYRIGHT OF CONEC GmbH DO NOT ALTER CAD DRAWING BY HAND

rev.	description	date	name

tolerance dim. in mm

scale: 2:1

material: SEE NOTES

title: **D-SUB MALE**
9-37pos. SOLDER CUP
with threaded insert and hexlocking screw

dwg no: AutoCAD 2004 DIN-A

18K1A372 3 sh:1/1

part no: SEE TABLE

