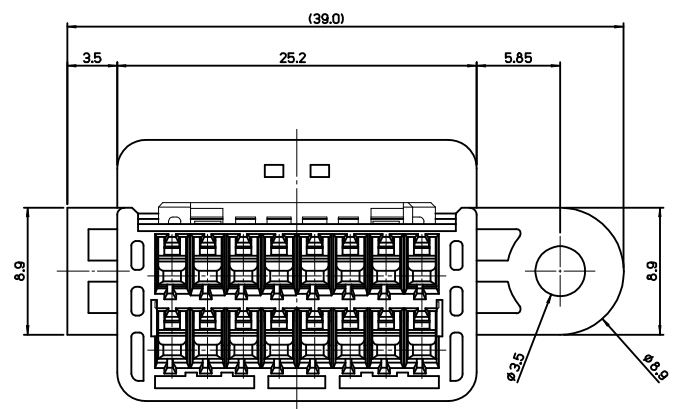
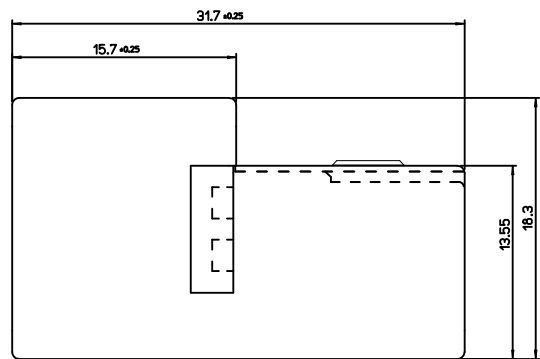
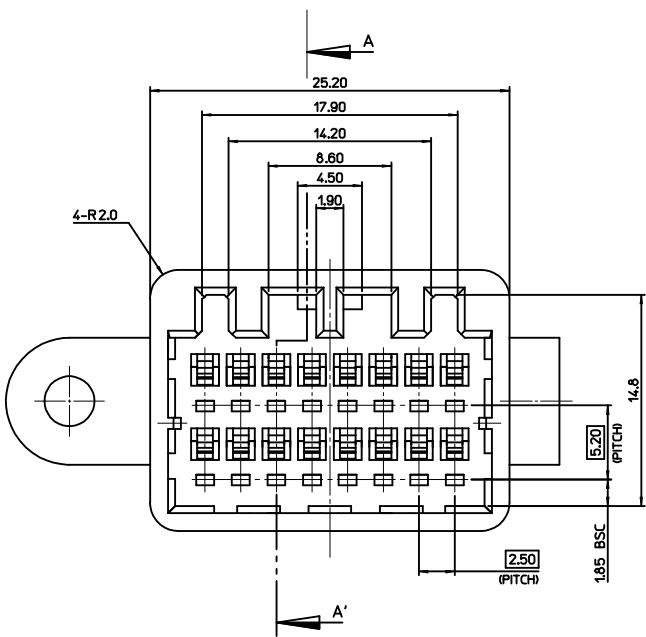
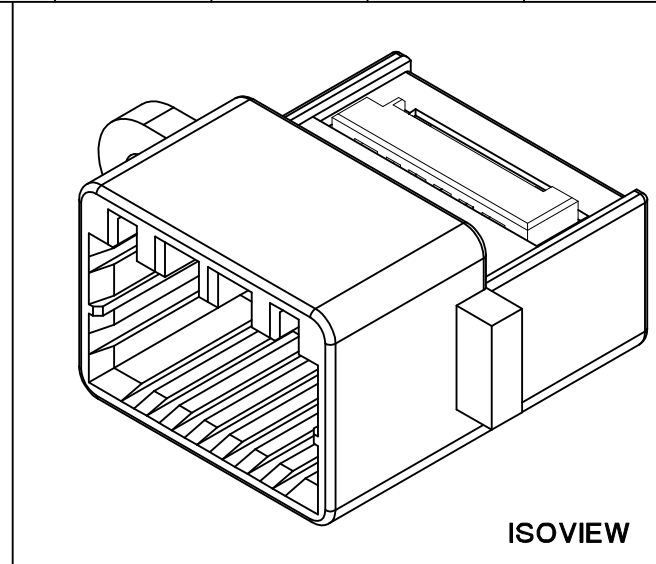
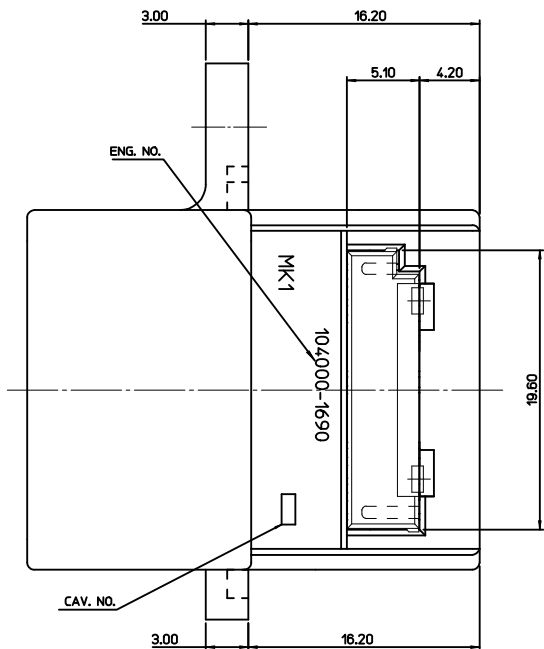
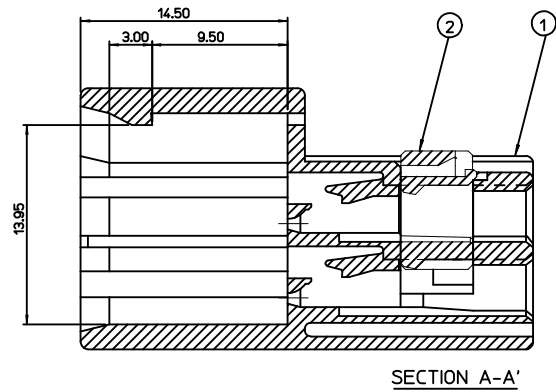


<PART LIST>

NO.	PART NAME	MATERIAL	USAGE	REMARK
①	MALE HSG 16P	POLYESTER	1	NATURAL
②	MALE TPA 16P	POLYESTER	1	YELLOW



- <NOTE>
1. APPLICABLE MALE TERMINAL : 50660-9001
 2. MATING FEMALE HOUSING ASS'Y : 35563-1615
 3. MATING FEMALE TERMINAL : 50654-1001

<TABLE 1>

104000-1610	104000-1610
MATERIAL NO.	ORDER NO.

NEW RELEASED IEC NO: KOR2009-0102 DRW: EOKIM 2009/04/07 CHK: BCYOON 2009/04/07 APPR: YUNSIKKIM 2009/04/07	QUALITY SYMBOLS	GENERAL TOLERANCES (UNLESS SPECIFIED)	DIMENSION STYLE	SCALE	DESIGN UNITS	TITLE																		
	$\nabla=0$ $\nabla=0$	<table border="1"> <tr> <th></th> <th>mm</th> <th>INCH</th> </tr> <tr> <td>4 PLACES</td> <td>± ---</td> <td>± ---</td> </tr> <tr> <td>3 PLACES</td> <td>± ---</td> <td>± ---</td> </tr> <tr> <td>2 PLACES</td> <td>± 0.20</td> <td>± ---</td> </tr> <tr> <td>1 PLACE</td> <td>± 0.30</td> <td>± ---</td> </tr> <tr> <td colspan="3">ANGULAR ± 1 °</td> </tr> </table>		mm	INCH	4 PLACES	± ---	± ---	3 PLACES	± ---	± ---	2 PLACES	± 0.20	± ---	1 PLACE	± 0.30	± ---	ANGULAR ± 1 °			MM ONLY DRAWN BY DATE EOKIM 2008/03/06 CHECKED BY DATE BCYOON 2008/03/06 APPROVED BY DATE EHJUNG 2008/03/06	4:1	METRIC	040 MIRROR MALE HOUSING ASS'Y 16P
		mm	INCH																					
	4 PLACES	± ---	± ---																					
3 PLACES	± ---	± ---																						
2 PLACES	± 0.20	± ---																						
1 PLACE	± 0.30	± ---																						
ANGULAR ± 1 °																								
REV	DESCRIPTION	DRAFT WHERE APPLICABLE MUST REMAIN WITHIN DIMENSIONS	MATERIAL NO.	DOCUMENT NO.	MOLEX INCORPORATED																			
A			SEE TABLE 1		SD-104000-001	SHEET NO. 1 OF 1																		

THIS DRAWING CONTAINS INFORMATION THAT IS PROPRIETARY TO MOLEX INCORPORATED AND SHOULD NOT BE USED WITHOUT WRITTEN PERMISSION