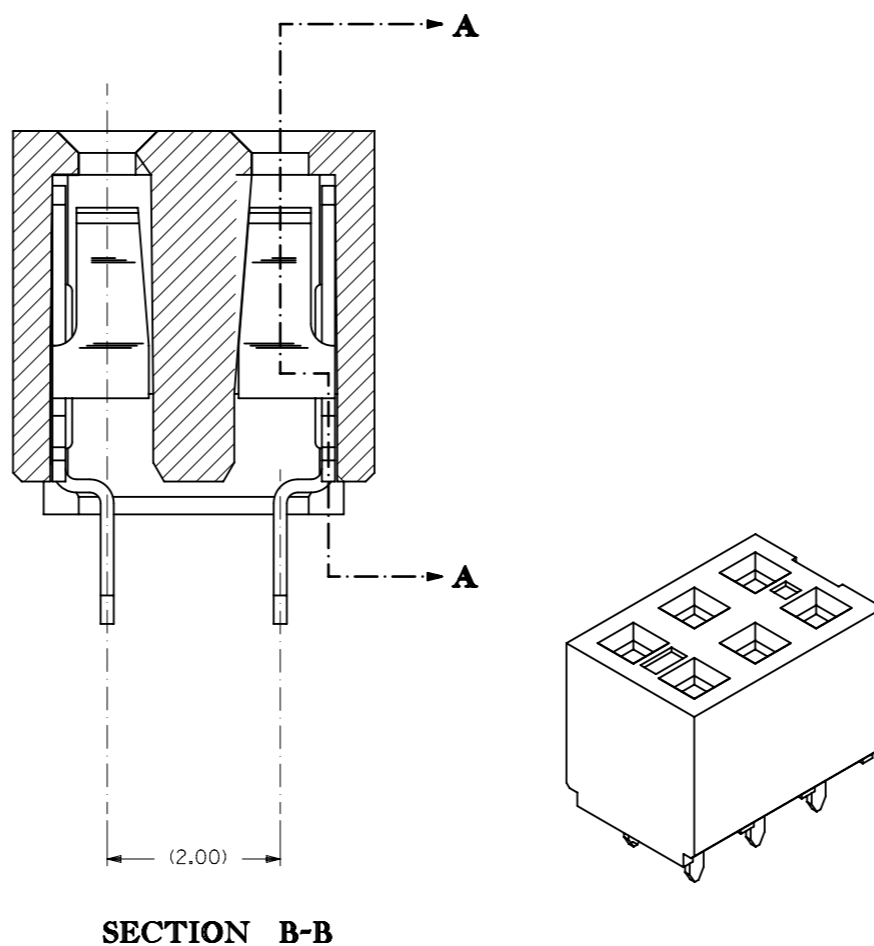
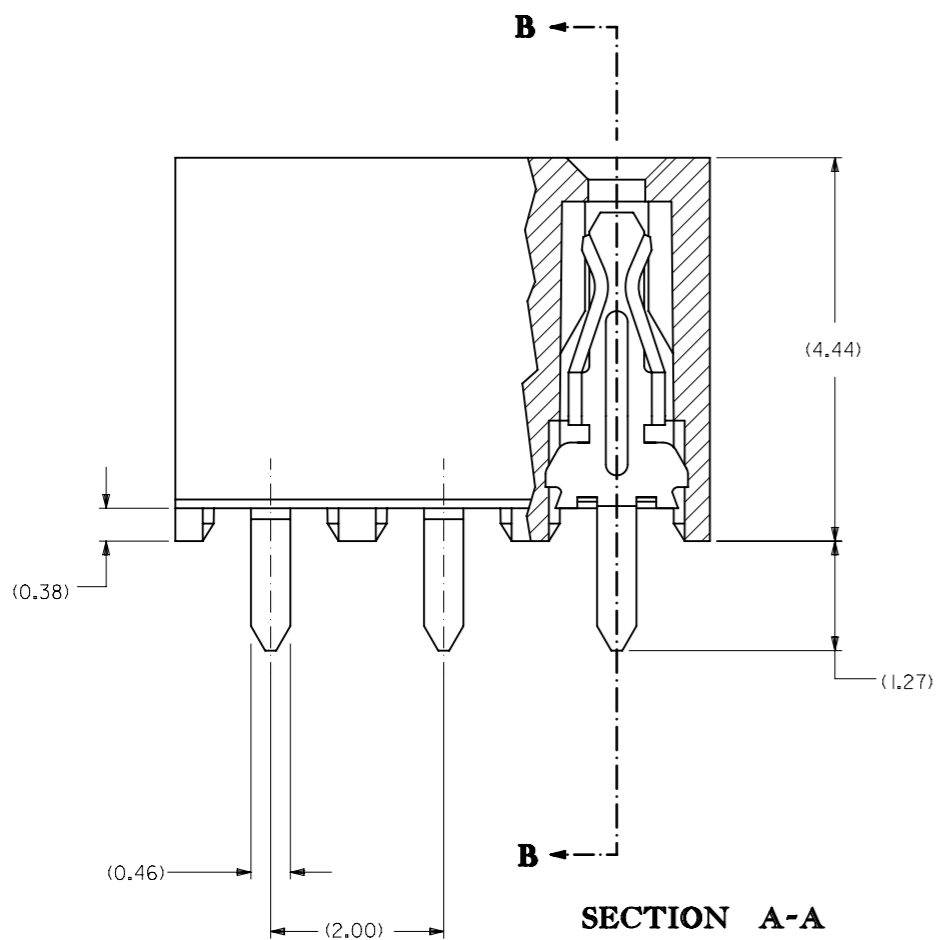


NOTES:

- 1 - HOUSING MATERIAL: GLASS FILLED LCP, COLOR: BLACK.
- 2 - TERMINAL MATERIAL: PHOSPHOR BRONZE
- 3 - SEE SHEET 2 FOR CIRCUIT SIZE, PART NUMBERS AND OVER-ALL DIMENSIONS.
- 4 - FOR ILLUSTRATION, 6 CIRCUIT ASSEMBLY SHOWN.
- 5 - REFER TO PRODUCT SPECIFICATION PS-79107.
- 6 - PACKAGING PER PK-70873-0180.
- 7 - SEE SHEET 3 FOR VOIDED ASSEMBLIES.
- 8 - CKTS. NUMBERED FROM LEFT TO RIGHT WHEN PART IS VIEWED FROM TOP WITH RECESS ON RIGHT AS SHOWN.

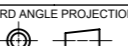
PLATING OPTION :

- (4) **0.76µm** MIN. GOLD PLATE IN SELECTED AREA AND **1.91µm** MIN. TIN IN SELECTED AREA OVER **1.27µm** MIN. NICKEL OVER-ALL
- (5) **0.38µm** MIN. GOLD PLATE IN SELECTED AREA AND **1.91µm** MIN. TIN IN SELECTED AREA OVER **1.27µm** MIN. NICKEL OVER-ALL
- (6) **0.13µm** MIN. GOLD PLATE IN SELECTED AREA AND **1.91µm** MIN. TIN IN SELECTED AREA OVER **1.27µm** MIN. NICKEL OVER-ALL



THIS DRAWING CONTAINS INFORMATION THAT IS PROPRIETARY TO MOLEX ELECTRONIC TECHNOLOGIES, LLC AND SHOULD NOT BE USED WITHOUT WRITTEN PERMISSION									
DIMENSION UNITS		SCALE		CURRENT REV DESC:				molex	
mm		NTS							
GENERAL TOLERANCES (UNLESS SPECIFIED)				EC NO: 619055		2MM DUAL ROW, FFC VERTICAL RECEPTACLE			
		MM	INCH	DRWN: VLOKESHA 2019/05/23					
4 PLACES		±	±	CHK'D: NMANE02 2019/07/09					
3 PLACES		±	0.1	APPR: MRAMAKRISHNA 2019/07/09					
2 PLACES		±	0.15	INITIAL REVISION:		PRODUCT CUSTOMER DRAWING			
1 PLACE		±	±	DRWN: AAB 1998/05/15		DOCUMENT NUMBER		DOC TYPE	DOC PART
0 PLACES		±	±	APPR: WAZ 1998/05/15		SDA-79108-XXXX		PSD	001
ANGULAR TOL		± 0.5°		THIRD ANGLE PROJECTION		SERIES		MATERIAL NUMBER	CUSTOMER
DRAFT WHERE APPLICABLE MUST REMAIN WITHIN DIMENSIONS				DRAWING		79108		SEE TABLE	GENERAL MARKET
				A3-SIZE		SHEET NUMBER		1 OF 5	

CKT SIZE	DIM. "A"	DIM. "B"	PLATING OPTION 5		PLATING OPTION 4		PLATING OPTION 6	
			EDP NO.	ENG.NO.	EDP.NO.	ENG.NO.	EDP.NO.	ENG.NO.
04	(2.00)	(4.19)	791081001	79108-1001	791081051	79108-1051	NOT TOOLED	79108-1101
06	(4.00)	(6.19)	791081002	79108-1002	791081052	79108-1052		79108-1102
08	(6.00)	(8.19)	791081003	79108-1003	791081053	79108-1053		79108-1103
10	(8.00)	(10.19)	791081004	79108-1004	791081054	79108-1054		79108-1104
12	(10.00)	(12.19)	791081005	79108-1005	791081055	79108-1055		79108-1105
14	(12.00)	(14.19)	791081006	79108-1006	791081056	79108-1056		79108-1106
16	(14.00)	(16.19)	791081007	79108-1007	791081057	79108-1057		79108-1107
18	(16.00)	(18.19)	791081008	79108-1008	791081058	79108-1058		79108-1108
20	(18.00)	(20.19)	791081009	79108-1009	791081059	79108-1059		79108-1109
22	(20.00)	(22.19)	791081010	79108-1010	791081060	79108-1060		79108-1110
24	(22.00)	(24.19)	791081011	79108-1011	791081061	79108-1061		79108-1111
26	(24.00)	(26.19)	791081012	79108-1012	791081062	79108-1062		79108-1112
28	(26.00)	(28.19)	791081013	79108-1013	791081063	79108-1063		79108-1113
30	(28.00)	(30.19)	791081014	79108-1014	791081064	79108-1064		79108-1114
32	(30.00)	(32.19)	791081015	79108-1015	791081065	79108-1065		79108-1115
34	(32.00)	(34.19)	791081016	79108-1016	791081066	79108-1066		79108-1116
36	(34.00)	(36.19)	791081017	79108-1017	791081067	79108-1067		79108-1117
38	(36.00)	(38.19)	791081018	79108-1018	791081068	79108-1068		79108-1118
40	(38.00)	(40.19)	791081019	79108-1019	791081069	79108-1069		79108-1119
42	(40.00)	(42.19)	791081020	79108-1020	791081070	79108-1070		79108-1120
44	(42.00)	(44.19)	791081021	79108-1021	791081071	79108-1071		79108-1121
46	(44.00)	(46.19)	791081022	79108-1022	791081072	79108-1072		79108-1122
48	(46.00)	(48.19)	791081023	79108-1023	791081073	79108-1073		79108-1123
50	(48.00)	(50.19)	791081024	79108-1024	791081074	79108-1074		79108-1124

THIS DRAWING CONTAINS INFORMATION THAT IS PROPRIETARY TO MOLEX ELECTRONIC TECHNOLOGIES, LLC AND SHOULD NOT BE USED WITHOUT WRITTEN PERMISSION									
DIMENSION UNITS		SCALE		CURRENT REV DESC:				molex	
mm		NTS							
GENERAL TOLERANCES (UNLESS SPECIFIED)				EC NO: 619055				2MM DUAL ROW, FFC VERTICAL RECEPTACLE	
				DRWN: VLOKESHA 2019/05/23					
4 PLACES ±				CHK'D: NMANE02 2019/07/09				PRODUCT CUSTOMER DRAWING	
3 PLACES ± 0.1				APPR: MRAMAKRISHNA 2019/07/09					
2 PLACES ± 0.15				INITIAL REVISION:				DOCUMENT NUMBER	
1 PLACE ±				DRWN: AAB 1998/05/15					
0 PLACES ±				APPR: WAZ 1998/05/15				SDA-79108-XXXX	
ANGULAR TOL ± 0.5°				THIRD ANGLE PROJECTION		DRAWING		SHEET NUMBER	
DRAFT WHERE APPLICABLE MUST REMAIN WITHIN DIMENSIONS						A3-SIZE		2 OF 5	

MOLDED VOID OPTION

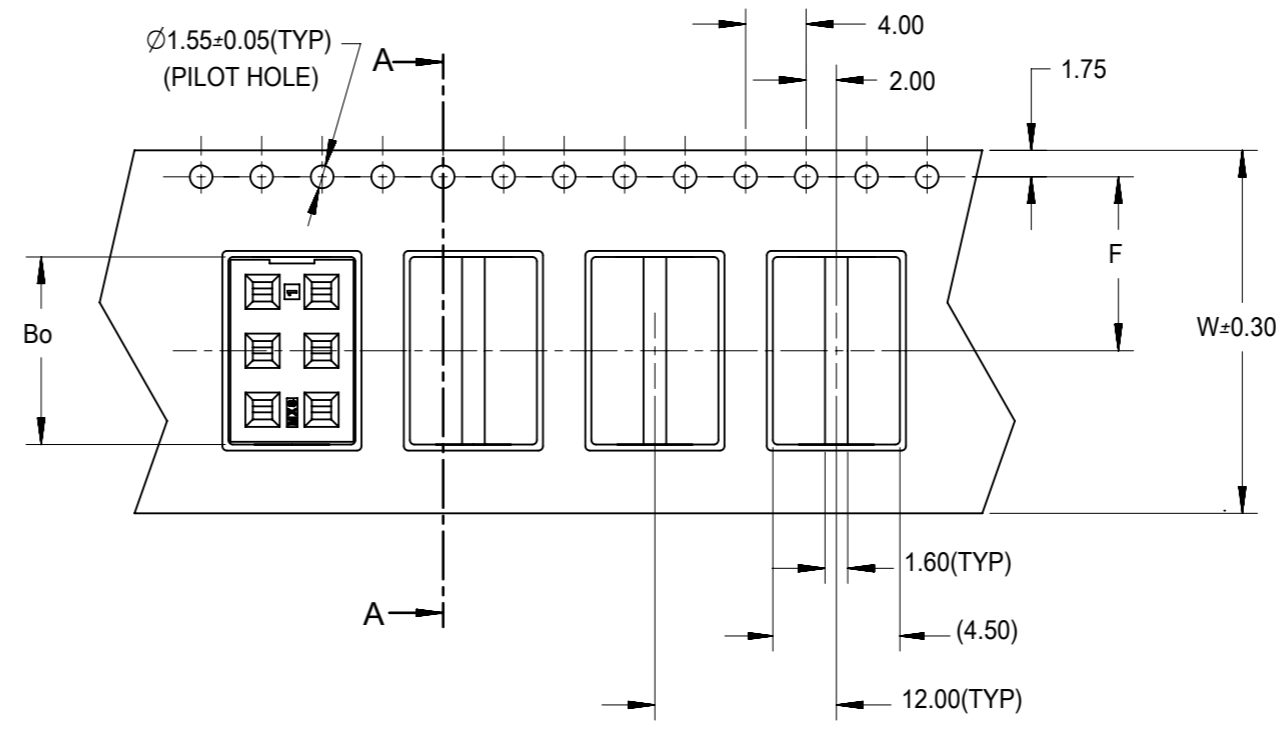
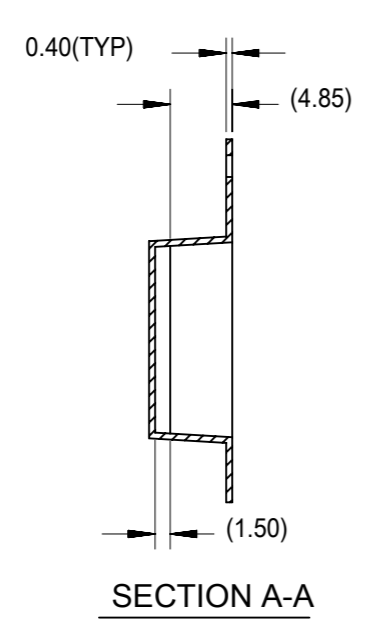
CKT. SIZE	ASSEMBLY		VOID LOCATION(S) SEE SHEET 1 FOR CONVENTION		PLATING OPTION	DIM. "A"	DIM. "B"
	EDP NO.	ENG. NO.	ROW	CKT. NO.(S)			
44	791085003	79108-5003	ROW A	13	4	(42.00)	(44.19)
44	791085004	79108-5004	ROW B	10	4	(42.00)	(44.19)

NOTES:

1. TERMINALS WILL BE PRESENT IN VOIDED LOCATIONS HOWEVER, PIN WINDOWS WILL BE CLOSED.
2. VOIDS CAN ONLY BE PRESENT IN ONE ROW OF THE CONNECTOR.

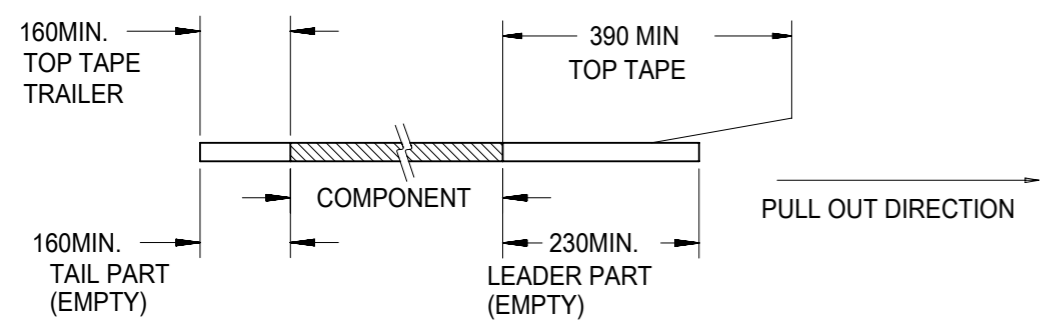
THIS DRAWING CONTAINS INFORMATION THAT IS PROPRIETARY TO MOLEX ELECTRONIC TECHNOLOGIES, LLC AND SHOULD NOT BE USED WITHOUT WRITTEN PERMISSION									
DIMENSION UNITS	SCALE	CURRENT REV DESC:				molex			
mm	NTS								
GENERAL TOLERANCES (UNLESS SPECIFIED)		EC NO: 619055 DRWN: VLOKESHA 2019/05/23 CHK'D: NMANE02 2019/07/09 APPR: MRAMAKRISHNA 2019/07/09				2MM DUAL ROW, FFC VERTICAL RECEPTACLE			
4 PLACES	± 0.1	INITIAL REVISION:				PRODUCT CUSTOMER DRAWING			
3 PLACES	± 0.15								
2 PLACES	± 0.15	DRWN: AAB 1998/05/15 APPR: WAZ 1998/05/15				DOCUMENT NUMBER: SDA-79108-XXXX DOC TYPE: PSD DOC PART: 001 REVISION: E3			
1 PLACE	± 0.15								
0 PLACES	± 0.15	DRAFT WHERE APPLICABLE MUST REMAIN WITHIN DIMENSIONS				MATERIAL NUMBER: SEE TABLE CUSTOMER: GENERAL MARKET SHEET NUMBER: 3 OF 5			
ANGULAR TOL	± 0.5°								
		THIRD ANGLE PROJECTION		DRAWING		SERIES		MATERIAL NUMBER	
				A3-SIZE		79108		SEE TABLE	

ASSEMBLY P/N PACKED IN T&R	CKT SIZE	PLATING OPTION	DIM A	DIM B	(F)	(Bo)	(W)
79108-6001	16	5	14.00	16.19	11.50	16.60	24.00

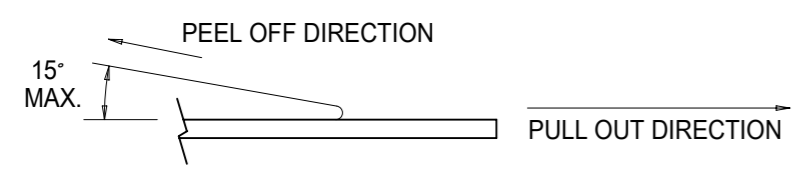


NOTES:

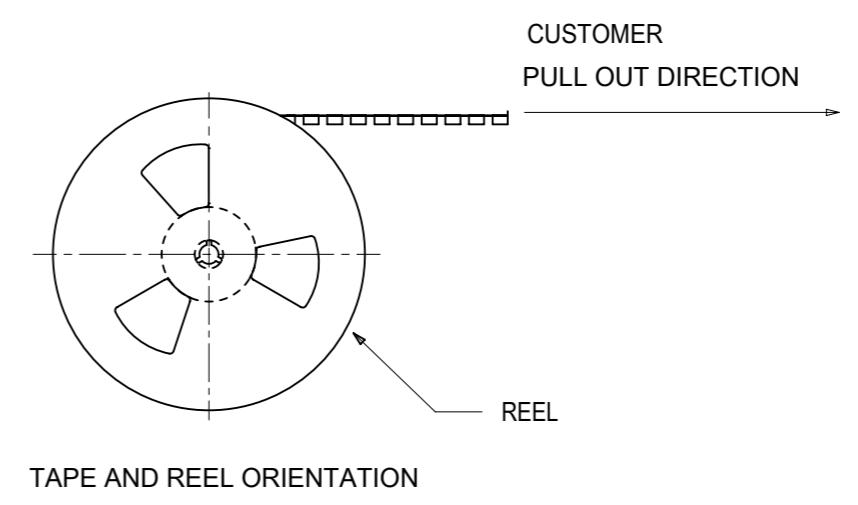
1. LEADER AND TRAILER TAPE



2. PEELING OFF FORCE OF THE TOP TAPE: 20-80gf.
(PEELING DIRECTION AS SHOWN IN FOLLOWING FIGURE)

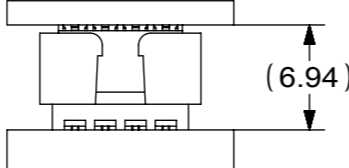
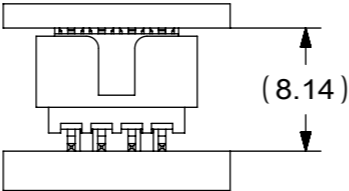


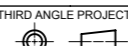
- 3. PACKAGING STANDARD IS AS PER EIA-481.
- 4. THE TAPE IS TREATED FOR ANTI-STATIC.
- 5. MATERIAL: CLEAR POLYSTYRENE.
- 6. TAPE & REEL QUANTITY = 800 PCS/REEL



THIS DRAWING CONTAINS INFORMATION THAT IS PROPRIETARY TO MOLEX ELECTRONIC TECHNOLOGIES, LLC AND SHOULD NOT BE USED WITHOUT WRITTEN PERMISSION									
DIMENSION UNITS		SCALE		CURRENT REV DESC:				molex	
mm		NTS		EC NO: 619055					
GENERAL TOLERANCES (UNLESS SPECIFIED)				DRWN: VLOKESHA		2019/05/23		2MM DUAL ROW, FFC	
				CHK'D: NMANE02		2019/07/09		VERTICAL RECEPTACLE	
4 PLACES ±				APPR: MRAMAKRISHNA		2019/07/09		PRODUCT CUSTOMER DRAWING	
3 PLACES ± 0.1				INITIAL REVISION:		DOCUMENT NUMBER		DOC TYPE	
2 PLACES ± 0.15				DRWN: AAB		1998/05/15		SDA-79108-XXXX	
1 PLACE ±				APPR: WAZ		1998/05/15		PSD 001 E3	
0 PLACES ±				ANGULAR TOL ± 0.5°		MATERIAL NUMBER		CUSTOMER	
DRAFT WHERE APPLICABLE MUST REMAIN WITHIN DIMENSIONS				THIRD ANGLE PROJECTION		DRAWING		SERIES	
				A3-SIZE		79108		SEE TABLE	
				GENERAL MARKET		SHEET NUMBER		4 OF 5	

BOARD TO BOARD (BTB) DISTANCE

RECEPTACLE	MATES WITH(HEADER)	BTB DISTANCE	PICTORIAL VIEW
79108	87831	6.94	
	87832	8.14	

THIS DRAWING CONTAINS INFORMATION THAT IS PROPRIETARY TO MOLEX ELECTRONIC TECHNOLOGIES, LLC AND SHOULD NOT BE USED WITHOUT WRITTEN PERMISSION									
DIMENSION UNITS		SCALE		CURRENT REV DESC:				molex	
mm		NTS							
GENERAL TOLERANCES (UNLESS SPECIFIED)				EC NO: 619055				2MM DUAL ROW, FFC VERTICAL RECEPTACLE	
		MM	INCH	DRWN: VLOKESHA		2019/05/23			
4 PLACES		±	±	CHK'D: NMANE02		2019/07/09		PRODUCT CUSTOMER DRAWING	
3 PLACES		± 0.1	±	APPR: MRAMAKRISHNA		2019/07/09			
2 PLACES		± 0.15	±	INITIAL REVISION:				DOCUMENT NUMBER	
1 PLACE		±	±	DRWN: DRWN BY		XXXX/XX/XX		SDA-79108-XXXX	
0 PLACES		±	±	APPR: APPR BY		XXXX/XX/XX		PSD	001
ANGULAR TOL		± 0.5°		THIRD ANGLE PROJECTION		DRAWING	SERIES	MATERIAL NUMBER	CUSTOMER
DRAFT WHERE APPLICABLE MUST REMAIN WITHIN DIMENSIONS				A3-SIZE	79108	GENERAL MARKET	SHEET NUMBER		