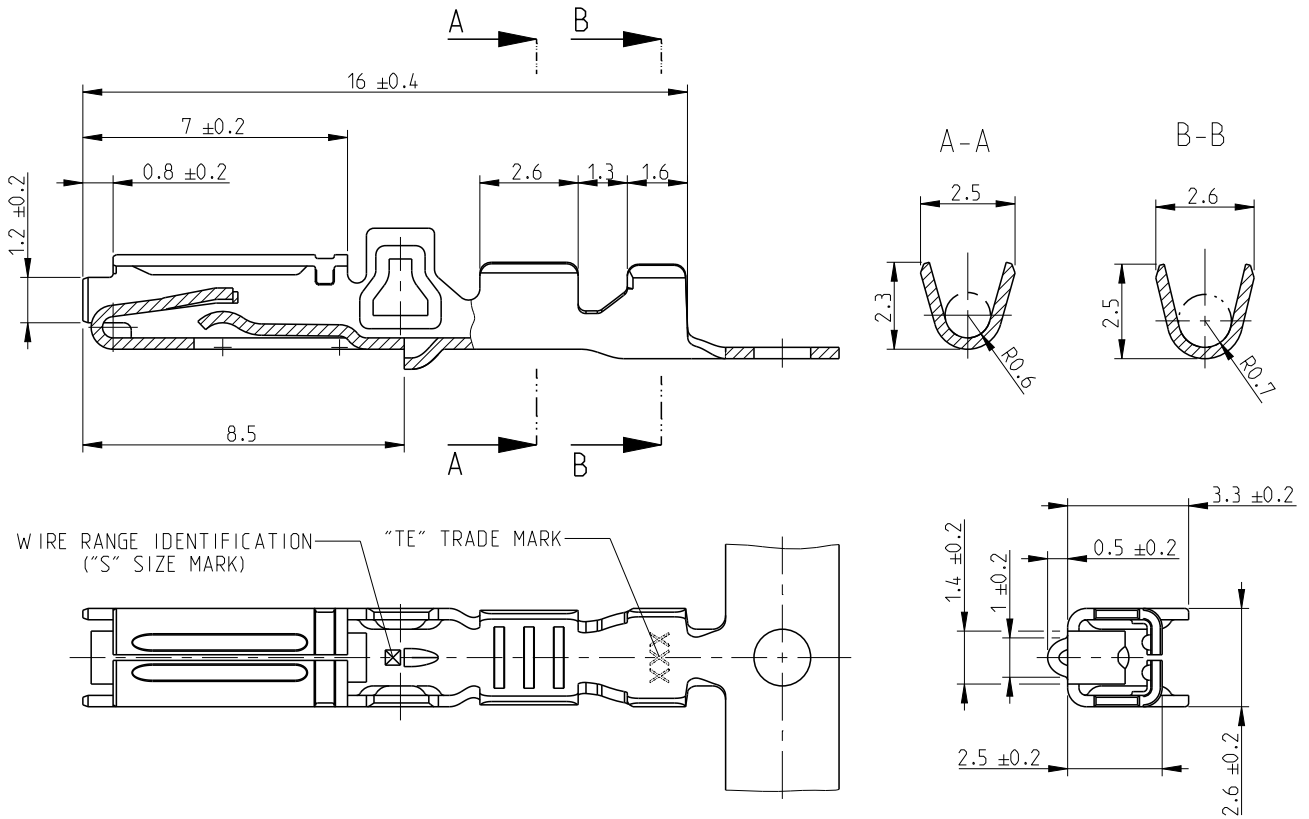


REVISIONS					
P	LTR	DESCRIPTION	DATE	DWN	APVD
	A4	Redrawn to Creo	08MAR2017	JJH	JP



1. DELIVERY STATE: ITEM IS SUPPLIED REELED ON CARTON REEL WITH STRIP PITCH = 11.9±0.2mm
 STATO DI FORNITURA: AVVOLTI SU BOBINA CON PASSO TRA TERMINALI DI = 11.9±0.2mm

CUSTOMER DRAWING FOR INFORMATION ONLY
 DISEGNO PER CLIENTE SOLO PER RIFERIMENTO

THIS DRAWING IS UNPUBLISHED. BY - ALL RIGHTS RESERVED. COPYRIGHT © 20



INS. DIA. RANGE (DIAM. ISOLANTE)	WIRE RANGE (RANGO FILO)
∅1.4 - 1.7mm	0.35 - 0.5mm ²

PRE-TIN (PRE-STAGNATO)	BRONZO FOSF. (PHOS. BRONZE)	284087-2
PRE-TIN (PRE-STAGNATO)	BRASS (OTTONE)	284087-1
FINISH/COLOUR (FINITURE/COLORE)	MATERIAL (MATERIALE)	PART NUMBER

DIMENSIONS: mm	DWN 15DEC 1997 O. CANUTO	MATERIAL -	FINISH -									
TOLERANCES UNLESS OTHERWISE SPECIFIED: ±0.3	CHK 15DEC 1997 A. BRUNI											
<table border="1"> <tr> <td>6 PLC</td> <td>±</td> </tr> <tr> <td>1 PLC</td> <td>±</td> </tr> <tr> <td>2 PLC</td> <td>±</td> </tr> <tr> <td>3 PLC</td> <td>±</td> </tr> <tr> <td>4 PLC</td> <td>±</td> </tr> </table>	6 PLC			±	1 PLC	±	2 PLC	±	3 PLC	±	4 PLC	±
6 PLC	±											
1 PLC	±											
2 PLC	±											
3 PLC	±											
4 PLC	±											
<table border="1"> <tr> <td>ANGLES</td> <td>±2°</td> </tr> </table>	ANGLES	±2°	CUSTOMER DRAWING	SCALE 5:1	SHEET 1 OF 1	REV A4						
ANGLES	±2°											