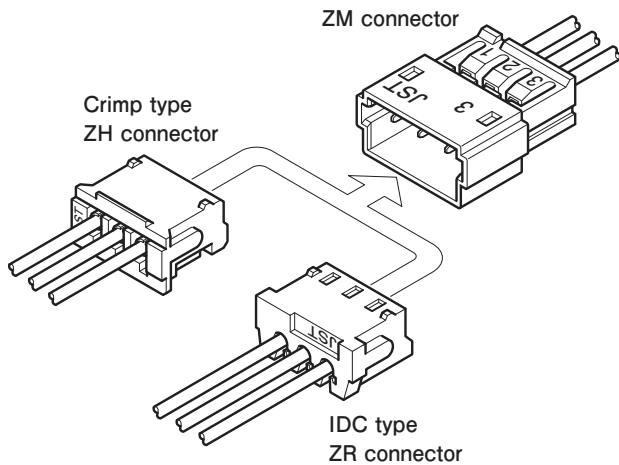




ZM CONNECTOR

1.5 mm pitch/ Wire-to-Wire connectors



This is a space-saving 1.5 mm pitch wire-to-wire connector that mates with both crimp and IDC type sockets.

The fully shrouded structure is resistant to irregular external forces such as prying during insertion and withdrawal.

- Space saving
- Housing lance system facilitate insertion of contacts and has excellent click feeling
- Both crimp and IDC type sockets can be used
- Shrouded structure withstanding "pry"

Standards

Ⓜ : Recognized E 60389

Ⓢ : Certified LR 20812

Specifications

• Current rating: 0.7 A AC/DC (AWG #28)

• Voltage rating: 50 V AC/DC

Note) Does not comply with Japan Electrical Appliance and Material Safety Law.

Since a part of the contact is exposed on the housing lance side of this connector, be careful that the exposed part does not touch metal parts of other components when using this connector.

• Temperature range: -25°C to +85°C

(including temperature rise in applying electrical current)

• Contact resistance:

Initial value/ 20 mΩ max.

After environmental tests/ 30 mΩ max.

• Insulation resistance: 500 MΩ min.

• Withstanding voltage:

There shall be no breakdown or flashover while applying 500 VAC for one minute.

• Applicable wire range: Conductor size/ AWG #30 to #28

* In using the products, refer to "Handling Precautions for Terminals and Connectors" described on our website (Technical documents of Product information page).

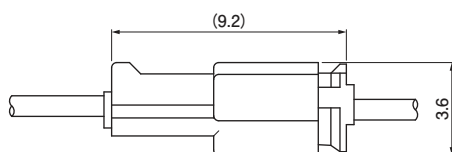
* RoHS2 compliance

* Dimensional unit: mm

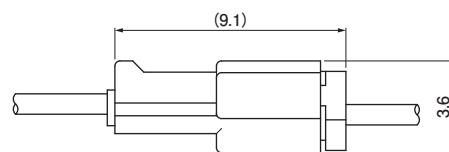
* Contact JST for details.

Assembly layout

When mating with ZH

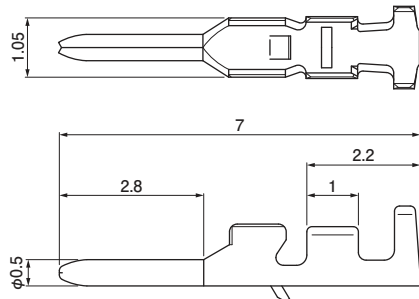


When mating with ZR



Plug/ ZM connector

Pin contact



Model No.	Applicable wire range		Q'ty/ reel
	Conductor size AWG (mm ²)	Insulation O.D. (mm)	
SMM-003T-P0.5	#30 to #28 (0.05 to 0.08)	0.7 to 0.9	16,000
Material and Surface finish, etc.			
Phosphor bronze, tin-plated			

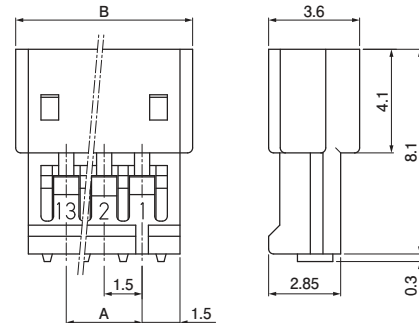
RoHS2 compliance

Crimping machine

Contact	Crimping machine	Applicator	Crimp applicator with dies
SMM-003T-P0.5	AP-K2N	MKS-L	APLMK SMM003-05

Note: Contact JST for fully automatic crimping applicator.

Receptacle housing



No. of circuits	Model No.	Dimensions (mm)		Q'ty/bag
		A	B	
2	ZMR-02	1.5	5.5	2,000
3	ZMR-03	3.0	7.0	2,000
9	ZMR-09	12.0	16.0	1,000
13	ZMR-13	18.0	22.0	1,000

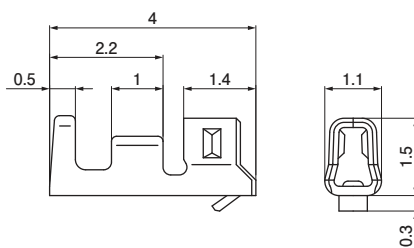
Material and Surface finish, etc.

PA 66 (Glass-filled), UL94V-0

RoHS2 compliance

Socket/ Crimp type, ZH connector

Contact



Model No.	Applicable wire range		Q'ty/ reel
	Conductor size AWG (mm ²)	Insulation O.D. (mm)	
SZH-003T-P0.5	#32 to #28 (0.032 to 0.08)	0.5 to 0.9	16,000
Material and Surface finish, etc.			
Phosphor bronze, tin-plated			

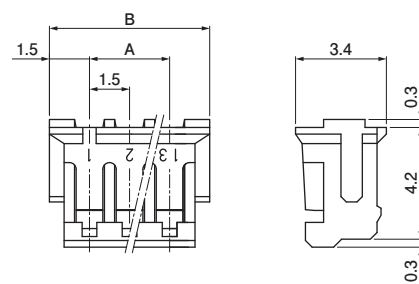
RoHS2 compliance

Crimping machine

Contact	Crimping machine	Applicator	Crimp applicator with dies
SZH-003T-P0.5	AP-K2N	MKS-L	APLMK SZH003-05

Note: Contact JST for fully automatic crimping applicator.

Housing



No. of circuits	Model No.	Dimensions (mm)		Q'ty/bag
		A	B	
2	ZHR-2	1.5	4.5	1,000
3	ZHR-3	3.0	6.0	1,000
9	ZHR-9	12.0	15.0	1,000
13	ZHR-13	18.0	21.0	1,000

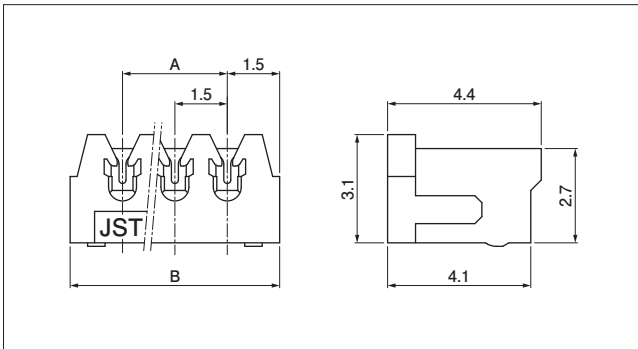
Material and Surface finish, etc.

PA 66, UL94V-0

RoHS2 compliance

ZM CONNECTOR

Socket/ IDC type, ZR connector



No. of circuits	Model No.		Dimensions (mm)		Q'ty/bag
	For AWG #30	For AWG #28	A	B	
2	02ZR-3H-P	02ZR-8M-P	1.5	4.5	2,000
3	03ZR-3H-P	03ZR-8M-P	3.0	6.0	2,000
9	09ZR-3H-P	09ZR-8M-P	12.0	15.0	2,000
13	13ZR-3H-P	13ZR-8M-P	18.0	21.0	2,000

Material and Surface finish, etc.

Contact: Phosphor bronze, tin-plated
Housing: PA 66 (Glass-filled), UL94V-0

RoHS2 compliance