

6

5

4

3

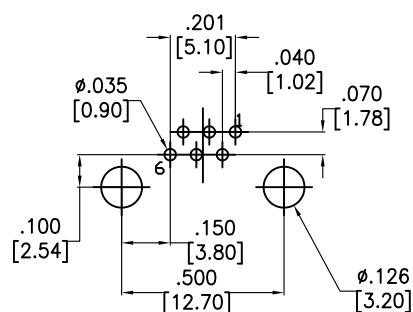
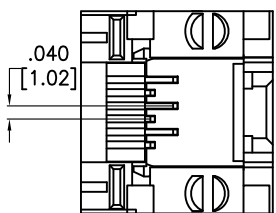
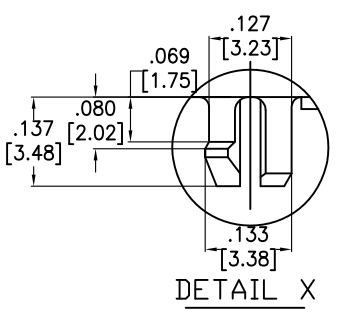
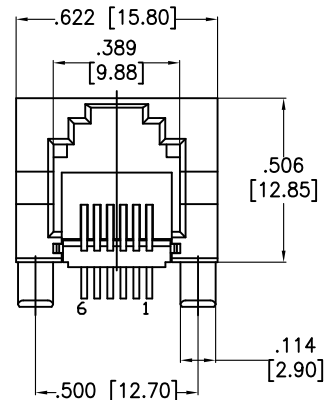
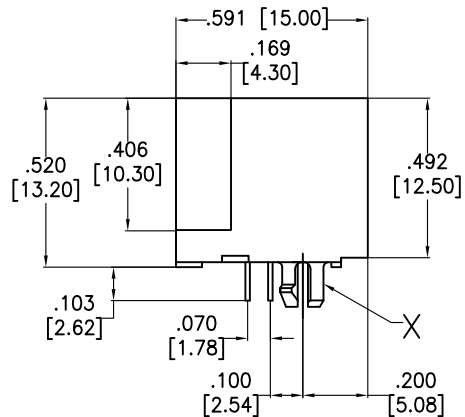
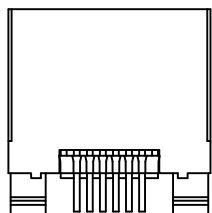
2

1

APPROVED: _____

DATE: _____ TITLE: _____

Rev	AWO #	Description	Date	Appr
-		RELEASED	10/27/08	
A		REDRAWN	8/6/13	
B		ADDED PLATING OPTION	6/16/15	AY/SL



RECOMMENDED PCB LAYOUT
(TOP VIEW)

SPECIFICATIONS:

Material:
 Insulator: PBT, glass reinforced, thermoplastic, rated UL 94V-0
 Insulator color: Black
 Contacts: Phosphor Bronze
 Contacts Plating:
 Gold over Nickel underplate on contact area
 Gold flash over Nickel underplate on solder tails
 Electrical:
 Operating voltage: 150V AC max.
 Current rating: 1.5 Amps max.
 Contact resistance: 20 Mohms max.
 Insulation resistance: 500 Mohms min
 Dielectric withstanding voltage: 1000 VAC for 1 minute
 Temperature Rating:
 Operating temperature: -40°C to +85°C
 Environmental:
 Lead free, RoHS compliant.



UNLESS OTHERWISE SPECIFIED
 ALL DIMENSIONS ARE INCHES [MM]
 TOLERANCES: EXCEPT AS NOTED

INCHES		HOLES	
.X	± .10	∅X	± .10
.XX	± .020	∅XX	± .015
.XXX	± .015	∅XXX	± .010

APPROVALS		DATE
DRAWN	DY	10/27/08
CHECKED		
APPROVED		

ADAM TECH
INTERCONNECTS

909 Rahway Avenue,
 Union, NJ 07083
 Phone: 908-687-5000
 Fax: 908-687-5710

TITLE		
MODULAR TELEPHONE JACK, 6P6C SIDE ENTRY		
SIZE	PART NO.	REV.
X	MTJ-66ARX1	B
REF:	S00065T	SCALE: NTS
		SHEET 1 OF 1

6

5

4

3

2

1