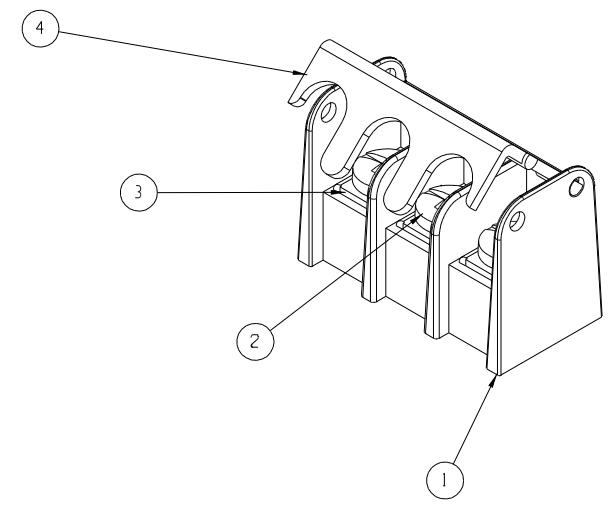
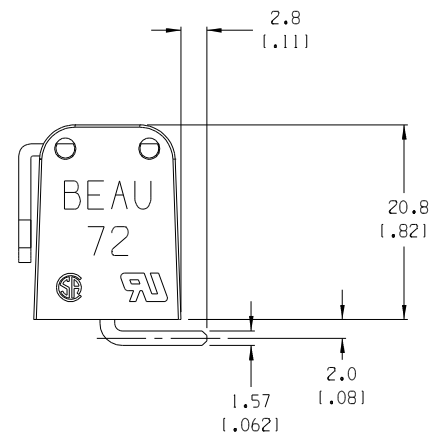
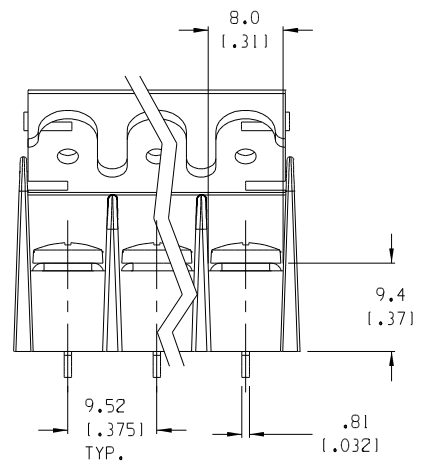
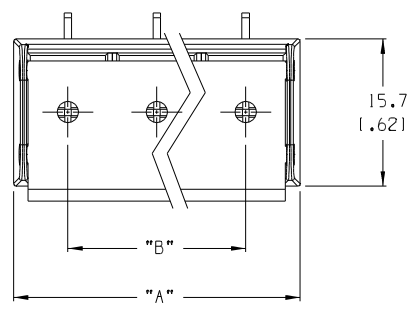


| NUMBER OF CIRCUITS | "A" DIM.      | "B" DIM.      | MATERIAL NUMBER |
|--------------------|---------------|---------------|-----------------|
| 03                 | 30.68 (1.208) | 19.05 (.750)  | 387291280       |
| 05                 | 49.73 (1.959) | 38.10 (1.500) | 387291527       |



- NOTES:
1. MATERIAL: SEE TABLE
  2. FINISHES: SEE TABLE
  3. PRODUCT SPECIFICATION: NOT REQUIRED
  4. INCH DIMS ARE SHOWN IN PARENTHESIS (XXX)
  5. "XX" REFERS TO THE NUMBER OF CIRCUITS

FRONT VIEW SHOWN  
WITH COVER ROTATED UP

| ITEM | QTY. | DESCRIPTION                     | MATERIAL           | FINISH             |
|------|------|---------------------------------|--------------------|--------------------|
| 4    | 1    | HINGED COVER                    | THERPLASTIC        | BLACK              |
| 3    | 3    | TERMINAL RIGHT ANGLE            | BRASS              | TIN                |
| 2    | 3    | SCREW #6-32 X .250 BINDING HEAD | STEEL              | ZN, CLEAR CHROMATE |
| 1    | 1    | INSULATOR                       | VALOX 457 $\Delta$ | BLACK              |

EC NO. ECO 11590  
 DRWN: RS 09-10-04  
 CH'K: APPR:  
 D

DESCRIPTION  
 MAJOR  
 CRITICAL  
 SPC  
 S

REV

| GENERAL TOLERANCES* (UNLESS SPECIFIED) |                         |
|--|-------------------------|
| mm                                     | INCH                    |
| 4 PLACES                               | $\pm 0.015$             |
| 3 PLACES                               | $\pm 0.038$ $\pm 0.005$ |
| 2 PLACES                               | $\pm 0.13$ $\pm 0.01$   |
| 1 PLACE                                | $\pm 0.3$               |

ANGULAR:  $\pm 2^\circ$

DRAFT WHERE APPLICABLE MUST REMAIN WITHIN DIMENSIONS

| SCALE | DESIGN UNITS   |
|-------|--|
| 2:1   | <input type="checkbox"/> mm <input checked="" type="checkbox"/> INCH |

DRAWN BY & DATE  
 R. KEMP 10-21-02

CHECKED BY & DATE  
 R. STONE 10-23-02

APPROVED BY & DATE  
 P. WALTZ 10-23-02

CAD FILENAME  
 72R8XX-C-H- $\Delta$

| PROJECT NO. -  |                                  | I                   | REV       |
|--|----------------------------------|---------------------|-----------|
| DIMENSIONS:  |                                  | SHT                 | REV       |
| <input checked="" type="checkbox"/> mm INCH  | <input type="checkbox"/> INCH mm | REVISE ON CAD ONLY  |           |
| TITLE:<br>SR BTS, CS, PC RA, HINGED COVER  |                                  |                     |           |
| MOLEX INCORPORATED   |                                  |                     |           |
| MATERIAL NO.<br>SEE CHART  | DRAWING NO.<br>SD-38729-025      | SHEET NO.<br>1 OF 1 |           |
| THIS DRAWING CONTAINS INFORMATION THAT IS PROPRIETARY TO MOLEX INCORPORATED AND SHOULD NOT BE USED WITHOUT WRITTEN PERMISSION. |                                  |                     | SIZE<br>B |