

NOTES:

1. MATERIALS AND FINISHES:

- BODY - BERYLLIUM COPPER, GOLD PLATING
- CONTACT - BERYLLIUM COPPER, GOLD PLATING
- INSULATOR - PTFE

2. ELECTRICAL:

- A. IMPEDANCE: 50 OHM
- B. FREQUENCY RANGE: DC - 26.5 GHz
- C. VSWR(RETURN LOSS): 1.2 (20.8 dB), MAX. DC-10GHz
1.4 (15.6 dB), MAX. 10-18GHz
1.5 (14 dB), MAX. 18-26.5GHz
- D. DIELECTRIC WITHSTANDING VOLTAGE: 500 VRMS, MIN.

3. PHYSICAL:

- A. DURABILITY: 100 CYCLES MIN. WHEN MATED FULL DETENT JACK
500 CYCLES MIN. WHEN MATED LIMITED DETENT JACK
1000 CYCLES MIN. WHEN MATED A SMOOTH BORE JACK
- B. TEMPERATURE RANGE: -65° C TO +165° C

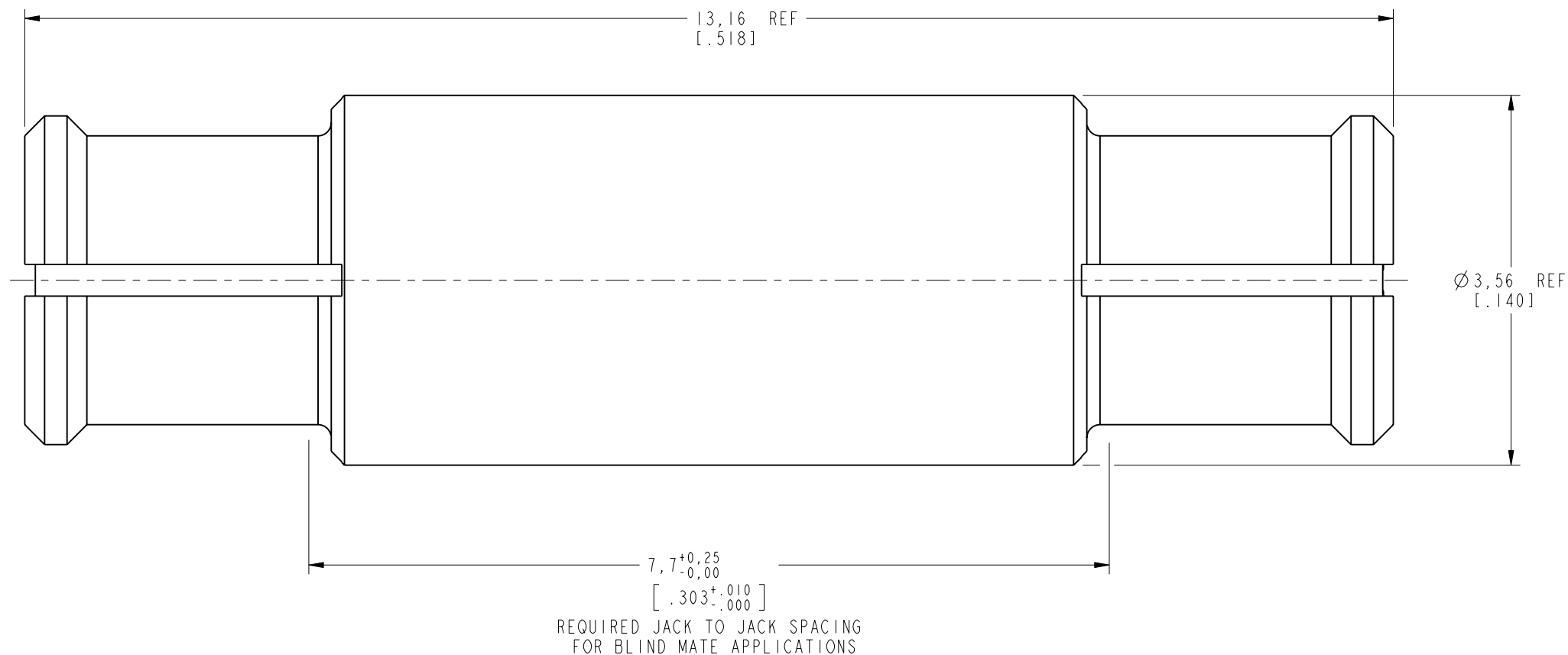
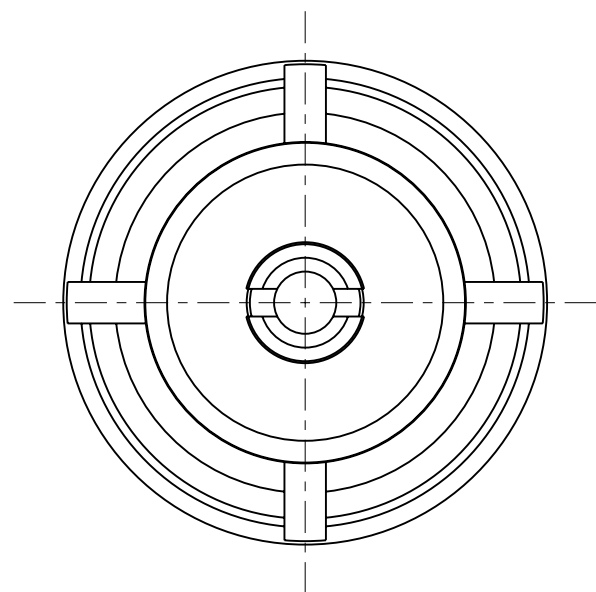
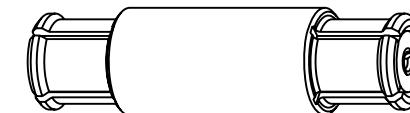
4. PACKAGING:

- A. QUANTITY: SINGLE PACK
- B. MARKING: AMPHENOL RF, SMP-FSBA-1316, DATE CODE (YYWW)
ROHS DIRECTIVE 2011/65/EU COMPLIANT

THIRD ANGLE PROJ.

REVISIONS

REV	DESCRIPTION	DATE	ECO	APPR
A	RELEASE TO MFG.	25-Oct-16	02181	JTS



CUSTOMER OUTLINE DRAWING
ALL OTHER SHEETS ARE FOR INTERNAL USE ONLY

UNLESS OTHERWISE SPECIFIED, DIMENSIONS ARE IN METRIC AND TOLERANCES ARE:
 <0.5mm ±0.05mm 0.5 - 6mm ±0.1mm 6 - 30mm ±0.2mm 30 - 120mm ±0.3mm ANGLES ±1°

NOTICE - These drawings, specifications, or other data (1) are, and remain the property of Amphenol corp. (2) must be returned upon request; and (3) are confidential and not to be disclosed to any person other than those to whom they are given by Amphenol Corp. the furnishing of these drawings, specifications, or other data by Amphenol Corp., or to any other person to anyone for any purpose is not to be regarded by implication or otherwise in any manner licensing, granting rights to permitting such holder or any other person to manufacture, use or sell any product, process or design, patented or otherwise, that may in any way be related to or disclosed by said drawings, specifications, or other data.

MATERIAL	DRAWN	DATE	TITLE	Amphenol RF
	M. ZHANG	25-Oct-16		
REFERENCE	ENGINEER	DATE	SCALE: 18.0:1.0	DRAWING NO. SMP-FSBA-1316
	D. DAVE	26-Feb-15		
FINISH	APPROVED	DATE	DWG SIZE	REV
	S. HSIEH	25-Oct-16		
	CAD FILE			PART NO. SMP-FSBA-1316