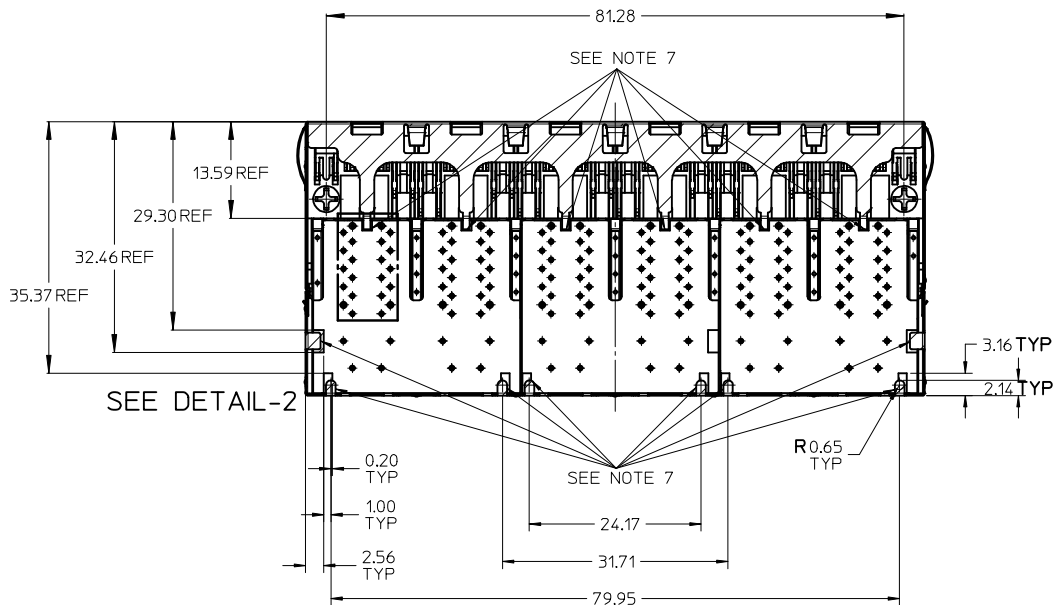
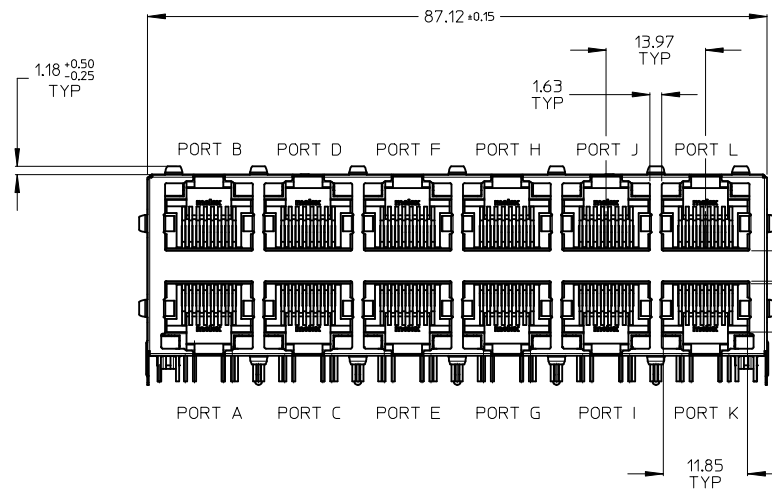
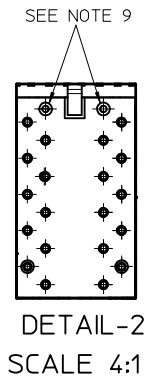
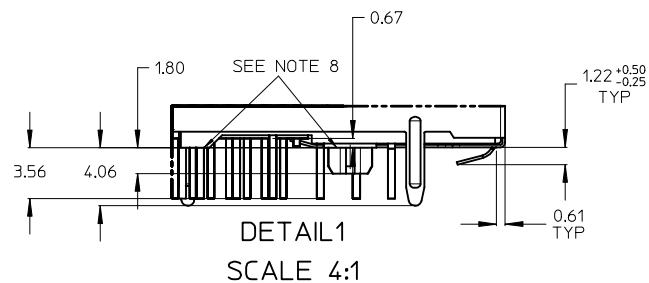
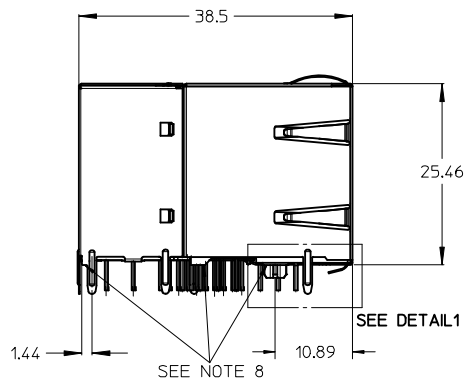
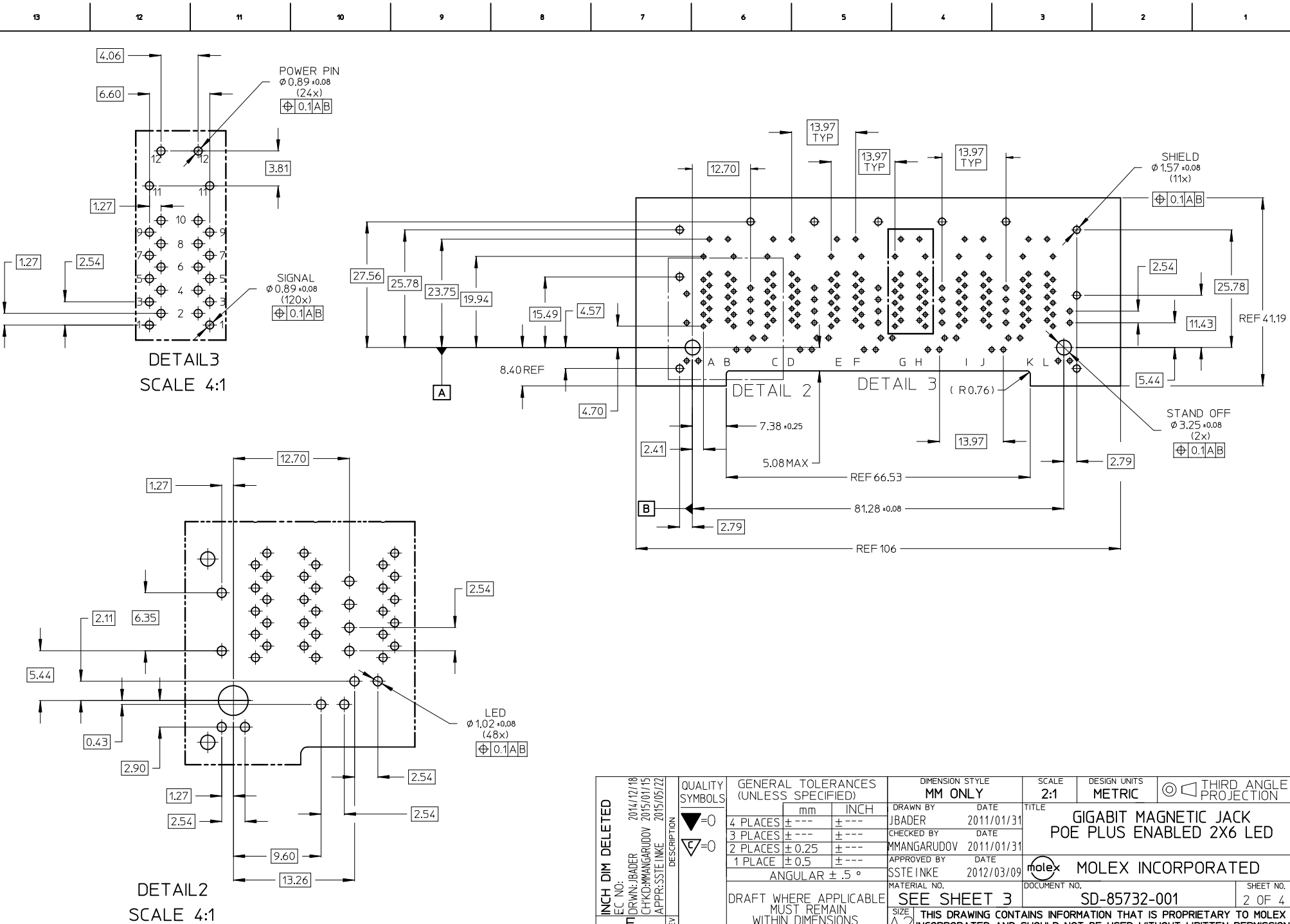


**GIGABIT 12 PORT MAGNETIC JACK WITH LED's
AND INTEGRATED POWER OVER ETHERNET TRANSFORMERS
ACCORDING TO IEEE802.3at FOR PSE APPLICATIONS**



- NOTES:**
- 1 - SHIELD MATERIAL: BRASS; PLATING: NICKEL PRE-PLATING
 - 2 - PLASTIC MATERIAL: POLYESTER (PBT) BLACK, 30%GR, UL 94 V-0
 - 3 - TERMINALS MATERIAL (RJ-45 CONTACTS): COPPER ALLOY
-BASE FINISH: NICKEL
-CONTACT SURFACE FINISH GOLD OR GOLD FLASH OVER PALLADIUM NICKEL
EXCEEDS PRODUCT REQUIREMENTS BASED ON PS-85732-001
 - 4 - MATING INTERFACE ACCORDING TO IEC 60603-7
 - 5 - PRODUCT SPECIFICATION: PS-85732-001
 - 6 - PACKAGING SPECIFICATION: PK-85731-001
 - 7 - TRACES WITHOUT INSULATION NOT ALLOWED IN THE DASHED AREAS & LATCHES (TO AVOID SHORTS TO SHIELD)
 - 8 - STAND OFF TO SYSTEM BOARD
 - 9 - STUBBED PINS -> AVOID TO ROUTE TRACES OR TO PLACE ANY VIAS OR PADS BELOW THESE PINS
 - 10 - MISSING MAGNETICS AND LED INFORMATIONS SEE PS-85732-001

INCH DIM DELETED	EC NO:	2014/12/18	QUALITY SYMBOLS	GENERAL TOLERANCES (UNLESS SPECIFIED)	DIMENSION STYLE	SCALE	DESIGN UNITS	THIRD ANGLE PROJECTION
	DRWN: JBADER	2015/01/15	▽=0	mm INCH	MM ONLY	2:1	METRIC	
	CHKD: MMANGARUDOV	2015/05/22	▽=0	4 PLACES ± --- ± ---	DRAWN BY	DATE	TITLE	
	APPR: SSTE INKE			3 PLACES ± --- ± ---	JBADER	2011/01/31	GIGABIT MAGNETIC JACK POE PLUS ENABLED 2X6 LED	
			2 PLACES ± 0.25 ± ---	2 PLACES ± 0.25 ± ---	CHECKED BY	DATE		
			1 PLACE ± 0.5 ± ---	1 PLACE ± 0.5 ± ---	MMANGARUDOV	2011/01/31		
			ANGULAR ± .5 °	ANGULAR ± .5 °	APPROVED BY	DATE		
					SSTE INKE	2012/03/09		
					MATERIAL NO.			
					SEE SHEET 3			
					SIZE			
					A 2			
					THIS DRAWING CONTAINS INFORMATION THAT IS PROPRIETARY TO MOLEX INCORPORATED AND SHOULD NOT BE USED WITHOUT WRITTEN PERMISSION			



DETAIL 3
SCALE 4:1

DETAIL 2

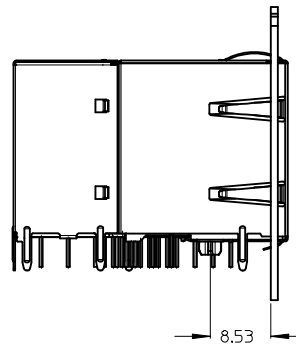
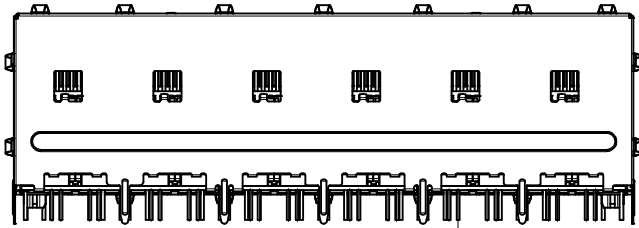
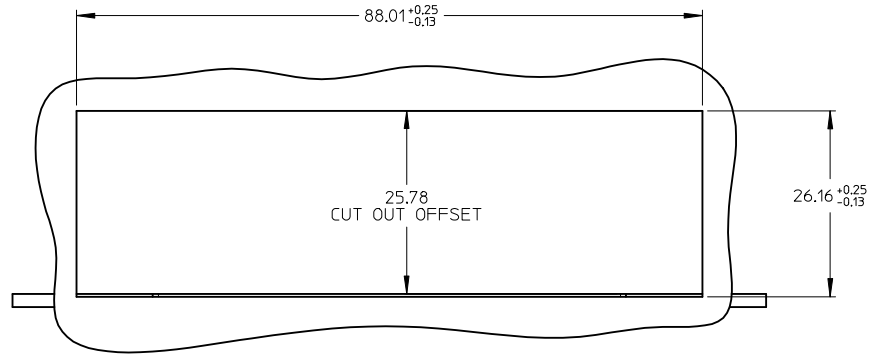
DETAIL 3 (R0.76)

DETAIL 2
SCALE 4:1

INCH DIM DELETED	EC NO: 2014/12/18 DRWN: JBADER CHKD: MMANGARUDOV 2015/01/15 APPR: SSTEINKE 2015/05/22	QUALITY SYMBOLS ▽=0 ▽=0	GENERAL TOLERANCES (UNLESS SPECIFIED)		DIMENSION STYLE MM ONLY		SCALE 2:1	DESIGN UNITS METRIC	THIRD ANGLE PROJECTION
								GIGABIT MAGNETIC JACK POE PLUS ENABLED 2X6 LED	
								MOLEX INCORPORATED	
								DOCUMENT NO.	SHEET NO.
								SD-85732-001	2 OF 4
							THIS DRAWING CONTAINS INFORMATION THAT IS PROPRIETARY TO MOLEX INCORPORATED AND SHOULD NOT BE USED WITHOUT WRITTEN PERMISSION		

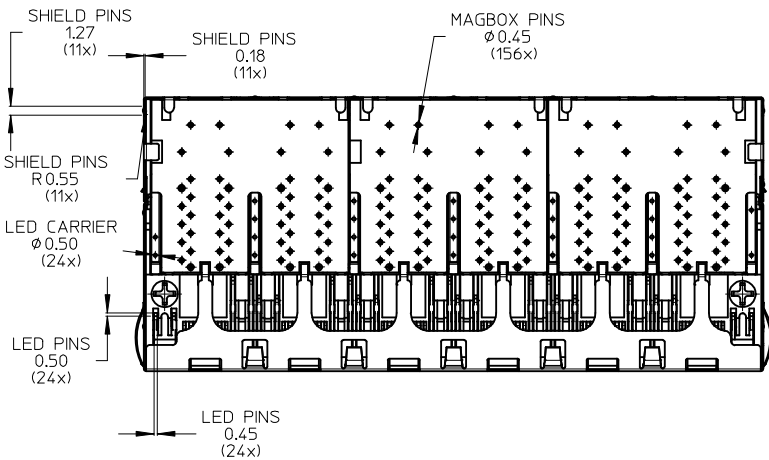
PRINTING
LED VERSION

P/N: 85732-XXXX
S/N: YYMMDD-0M-CONSECUTIVE NUMBER



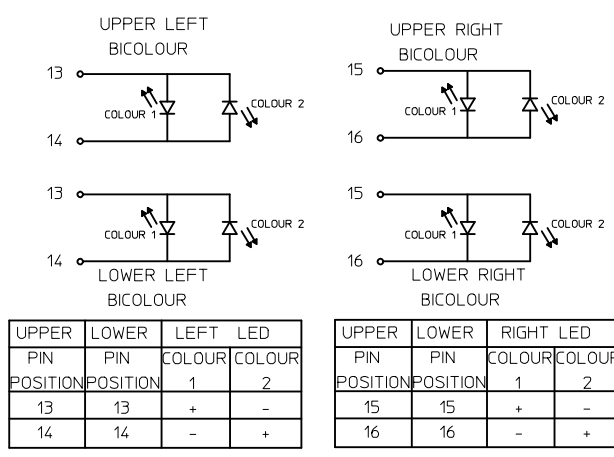
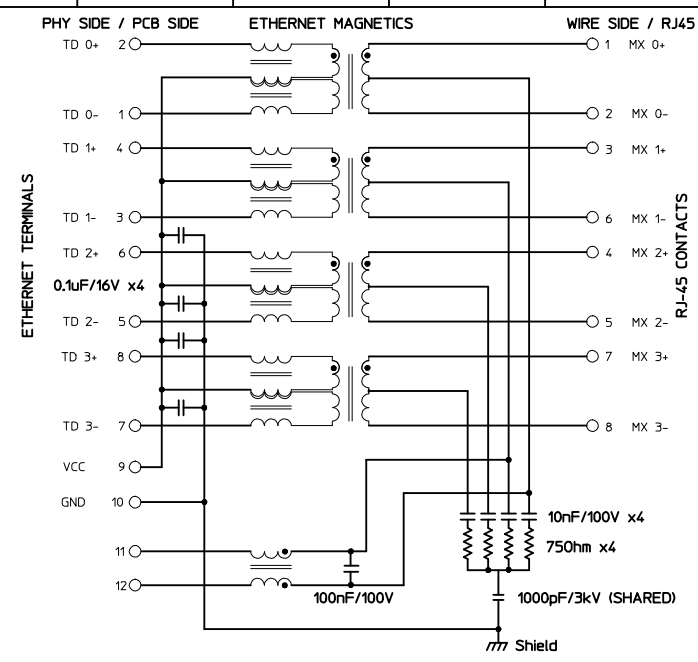
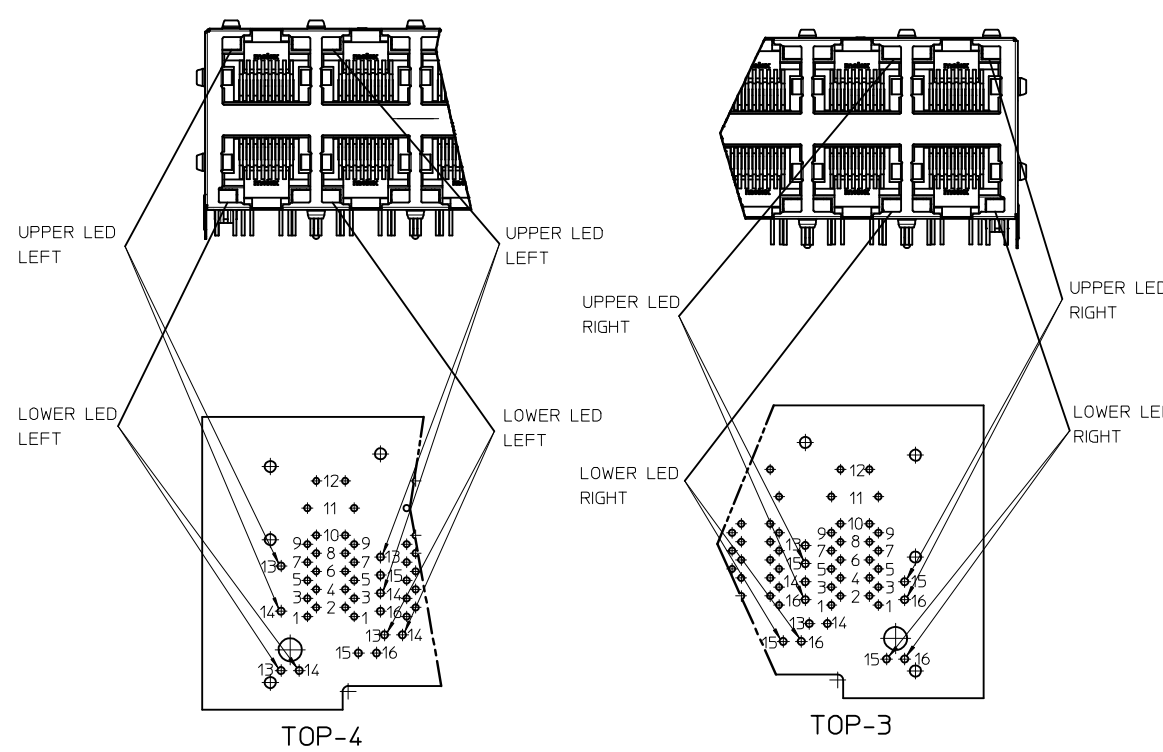
PART NUMBER	UPPER & LOWER LED LEFT	UPPER & LOWER LED RIGHT
85732-1001	COLOUR 1 GREEN	COLOUR 1 GREEN
	COLOUR 2 -	COLOUR 2 -
85732-1002	COLOUR 1 GREEN	COLOUR 1 ORANGE
	COLOUR 2 -	COLOUR 2 -
85732-1003	COLOUR 1 GREEN	COLOUR 1 GREEN
	COLOUR 2 ORANGE	COLOUR 2 -
85732-1004	COLOUR 1 GREEN	COLOUR 1 GREEN
	COLOUR 2 ORANGE	COLOUR 2 ORANGE
85732-1006	COLOUR 1 GREEN	COLOUR 1 YELLOW
	COLOUR 2 -	COLOUR 2 -
85732-1007	COLOUR 1 GREEN	COLOUR 1 GREEN
	COLOUR 2 YELLOW	COLOUR 2 -
85732-1008	COLOUR 1 GREEN	COLOUR 1 GREEN
	COLOUR 2 YELLOW	COLOUR 2 YELLOW
85732-1012	COLOUR 1 YELLOW	COLOUR 1 GREEN
	COLOUR 2 GREEN	COLOUR 2 -
85732-1013	COLOUR 1 YELLOW	COLOUR 1 YELLOW
	COLOUR 2 GREEN	COLOUR 2 GREEN
85732-1014	COLOUR 1 YELLOW	COLOUR 1 GREEN
	COLOUR 2 -	COLOUR 2 -

ADDITIONAL LED COLOURS AND CONFIGURATIONS ARE AVAILABLE ON REQUEST



- NOTES:
- 1 - PRINTING MARKED BY LASER
 - 2 - INSCRIPTION:
1st LINE: PART NUMBER
2nd LINE: DATE CODE (YEAR, MONTH, DAY) - MANUFACTURER ID - CONSECUTIVE NUMBER
 - 3 - UL LOGO

INCH DIM DELETED	EC NO: 2014/12/18	QUALITY SYMBOLS	GENERAL TOLERANCES (UNLESS SPECIFIED)	DIMENSION STYLE	SCALE	DESIGN UNITS	THIRD ANGLE PROJECTION
	DRWN: JBADER	▽=0	mm INCH	MM ONLY	2:1	METRIC	
	CHKD: MMANGARUDOV	▽=0	4 PLACES ± --- ± ---	DRAWN BY	DATE	TITLE	
	APPR: SSTE INKE		3 PLACES ± --- ± ---	JBADER	2011/01/31	GIGABIT MAGNETIC JACK POE PLUS ENABLED 2X6 LED	
		2 PLACES ± 0.25 ± ---	CHECKED BY	DATE			
		1 PLACE ± 0.5 ± ---	MMANGARUDOV	2011/01/31			
		ANGULAR ± .5 °	APPROVED BY	DATE			
			DRAFT WHERE APPLICABLE MUST REMAIN WITHIN DIMENSIONS	SSTE INKE	2012/03/09	MOLEX INCORPORATED	
				MATERIAL NO.		DOCUMENT NO.	
				SEE BOM		SD-85732-001	
				SIZE	THIS DRAWING CONTAINS INFORMATION THAT IS PROPRIETARY TO MOLEX INCORPORATED AND SHOULD NOT BE USED WITHOUT WRITTEN PERMISSION		
				A 2			SHEET NO. 3 OF 4



UPPER POSITION	LOWER POSITION	LEFT COLOUR	RIGHT COLOUR
13	13	+	-
14	14	-	+

UPPER POSITION	LOWER POSITION	RIGHT COLOUR	LEFT COLOUR
15	15	+	-
16	16	-	+

PIN	ETHERNET MAGNETICS
10	GND
9	VCC
8	TD 3+
7	TD 3-
6	TD 2+
5	TD 2-
4	TD 1+
3	TD 1-
2	TD 0+
1	TD 0-
11	PWR 3-6
12	PWR 1-2

POWER-SUPPLY POLARITY DEFINITION TO ACHIEVE PoE POWER ASSIGNMENT ACCORDING IEEE 802.3at ALTERNATIVE A:

	MDI-X	MDI
PIN 11	Vc+	Vc-
PIN 12	Vc-	Vc+

NO CHANGE EC NO: 2014/12/18 DRAWN: JBADER CHKD: MMANGARUDOV 2015/01/15 APPR: SSTEINKE 2015/05/22	QUALITY SYMBOLS ▽=0 ▽=0	GENERAL TOLERANCES (UNLESS SPECIFIED) <table border="1"> <thead> <tr> <th></th> <th>mm</th> <th>INCH</th> </tr> </thead> <tbody> <tr><td>4 PLACES</td><td>± 0.15</td><td>± 0.006</td></tr> <tr><td>3 PLACES</td><td>± 0.20</td><td>± 0.008</td></tr> <tr><td>2 PLACES</td><td>± 0.25</td><td>± 0.010</td></tr> <tr><td>1 PLACE</td><td>± 0.5</td><td>± 0.020</td></tr> </tbody> </table> ANGULAR ± .5°		mm	INCH	4 PLACES	± 0.15	± 0.006	3 PLACES	± 0.20	± 0.008	2 PLACES	± 0.25	± 0.010	1 PLACE	± 0.5	± 0.020	DIMENSION STYLE MM ONLY	SCALE 2:1	DESIGN UNITS METRIC	THIRD ANGLE PROJECTION
		mm	INCH																		
	4 PLACES	± 0.15	± 0.006																		
	3 PLACES	± 0.20	± 0.008																		
2 PLACES	± 0.25	± 0.010																			
1 PLACE	± 0.5	± 0.020																			
DRAWN BY: JBADER DATE: 2011/01/31 CHECKED BY: MMANGARUDOV DATE: 2011/01/31 APPROVED BY: SSTEINKE DATE: 2012/03/09	MATERIAL NO. SEE SHEET 3	TITLE GIGABIT MAGNETIC JACK POE PLUS ENABLED 2X6 LED	MOLEX INCORPORATED	DOCUMENT NO. SD-85732-001	SHEET NO. 4 OF 4																
DRAFT WHERE APPLICABLE MUST REMAIN WITHIN DIMENSIONS	SIZE A2	THIS DRAWING CONTAINS INFORMATION THAT IS PROPRIETARY TO MOLEX INCORPORATED AND SHOULD NOT BE USED WITHOUT WRITTEN PERMISSION																			