

# RIF-1-V8/PT/FLK14/OUT - System connection



2905195

<https://www.phoenixcontact.com/us/products/2905195>

Please be informed that the data shown in this PDF document is generated from our online catalog. Please find the complete data in the user documentation. Our general terms of use for downloads are valid.



V8 adapter for 8 x RIF-1 relay base, controller: PLC system cabling of output cards, connection 1: Push-in connection 4x, connection 2: IDC/FLK pin strip 1x 14-position, connection 3: Plug-in connection, number of channels: 8, control logic: plusschaltend

## Commercial data

Item number	2905195
Packing unit	1 pc
Minimum order quantity	1 pc
Sales key	C421
Product key	CK21C1
Catalog page	Page 359 (C-5-2019)
GTIN	4046356946650
Weight per piece (including packing)	86.7 g
Weight per piece (excluding packing)	86.7 g
Customs tariff number	85366990
Country of origin	DE

2905195

<https://www.phoenixcontact.com/us/products/2905195>

## Technical data

### Product properties

Product type	Interface module
Product family	RIFLINE complete
Number of positions	14
No. of channels	8
Operating mode	100% operating factor

#### Insulation characteristics: Air clearances and creepage distances

Overvoltage category	II
Pollution degree	2

### Electrical properties

No. of channels	8
Nominal voltage $U_N$	30 V DC
Protective circuit	Power supply; Polarity protection diode Signal level; Freewheeling diode per channel
Max. current carrying capacity per branch	1 A (per signal path)
Max. total current of voltage supply	3 A

#### Air clearances and creepage distances

Rated insulation voltage	63 V DC
Rated surge voltage	0.6 kV (Functional insulation)

#### Supported controller SIEMENS S7-1500

Suitable I/O card	6ES7522-1BH00-0AB0
	6ES7522-1BH01-0AB0
	6ES7522-1BL00-0AB0
	6ES7522-1BL01-0AB0
	6ES7522-1BP00-0AA0

#### Supported controller SIEMENS S7-400

Suitable I/O card	6ES7422-1BL00-0AA0
	6ES7422-1BL00-0AA0

#### Supported controller ALLEN-BRADLEY ControlLogix

Suitable I/O card	1756-OB32
	1756-OB16E

#### Supported controller ALLEN-BRADLEY PLC 5

Suitable I/O card	1771 OBN
-------------------	----------

#### Supported controller ALLEN-BRADLEY SLC 500

Suitable I/O card	1746 OB16
	1746 OB 32

# RIF-1-V8/PT/FLK14/OUT - System connection



2905195

<https://www.phoenixcontact.com/us/products/2905195>

## Supported controller HONEYWELL Experion PKS C200

Suitable I/O card	TC-ODD 321
-------------------	------------

## Supported controller MITSUBISHI MELSEC Q

Suitable I/O card	QY81P
	QY82P

## Supported controller SIEMENS S7-300 / ET 200 M

Suitable I/O card	CPU 313C-2DP
	CPU 314C-2DP
	CPU 314C-2PtP
	6ES7322-1BH01-0AA0
	6ES7322-1BL00-0AA0
	6ES7323-1BH01-0AA0
	6ES7323-1BL00-0AA0
	CPU 313C
CPU 313C-2PtP	

## Supported controller ABB S800 I/O

Suitable I/O card	DO810
	DO840

## Supported controller EMERSON DeltaV

Suitable I/O card	VE4002S1T1B3
	VE4002S1T2B3
	VE4002S1T2B3 Series 2
	VE4002S1T2B6

## Supported controller GE-FANUC RX3i

Suitable I/O card	IC694MDL754
-------------------	-------------

## Supported controller MITSUBISHI MELSEC L

Suitable I/O card	LY41PT1P
	LY42PT1P

## Connection data

### Supply

Connection method	Push-in connection
Stripping length	10 mm
Number of connections	4
Conductor cross section rigid	0.2 mm <sup>2</sup> ... 1.5 mm <sup>2</sup>
Conductor cross section flexible	0.2 mm <sup>2</sup> ... 1.5 mm <sup>2</sup>
Conductor cross section AWG	24 ... 16

### Controller level

Connection method	IDC/FLK pin strip
-------------------	-------------------

# RIF-1-V8/PT/FLK14/OUT - System connection



2905195

<https://www.phoenixcontact.com/us/products/2905195>

Number of connections	1
Number of positions	14
Pitch	2.54 mm
Connection method	Plug-in connection

## Signaling

Status display	Yellow LED/per channel
Status display present	Yes
Operating voltage display	Green LED

## Dimensions

Width	130.4 mm
Height	31.9 mm
Depth	38.13 mm
Width	128 mm
Height	101 mm
Depth	75 mm

## Material specifications

Housing insulation material	PA
-----------------------------	----

## Environmental and real-life conditions

### Ambient conditions

Degree of protection	IP20
Ambient temperature (operation)	-40 °C ... 60 °C
Ambient temperature (storage/transport)	-40 °C ... 70 °C

## Approvals

### UL, USA

Identification	UL 508 Recognized
----------------	-------------------

### CSA

Identification	CSA-C22.2 No. 14-13
	CSA-C22.2 No. 158-10

## Standards and regulations

### Air clearances and creepage distances

Standards/regulations	IEC 60664
	DIN EN 50178

## Mounting

Assembly instructions	Can be plugged into 8 x RIFLINE complete RIF-1 relay bases
Mounting position	any

# RIF-1-V8/PT/FLK14/OUT - System connection



2905195

<https://www.phoenixcontact.com/us/products/2905195>

## Notes

General

For proper use, the specifications of the installation directive (see Downloads) must be observed.

# RIF-1-V8/PT/FLK14/OUT - System connection

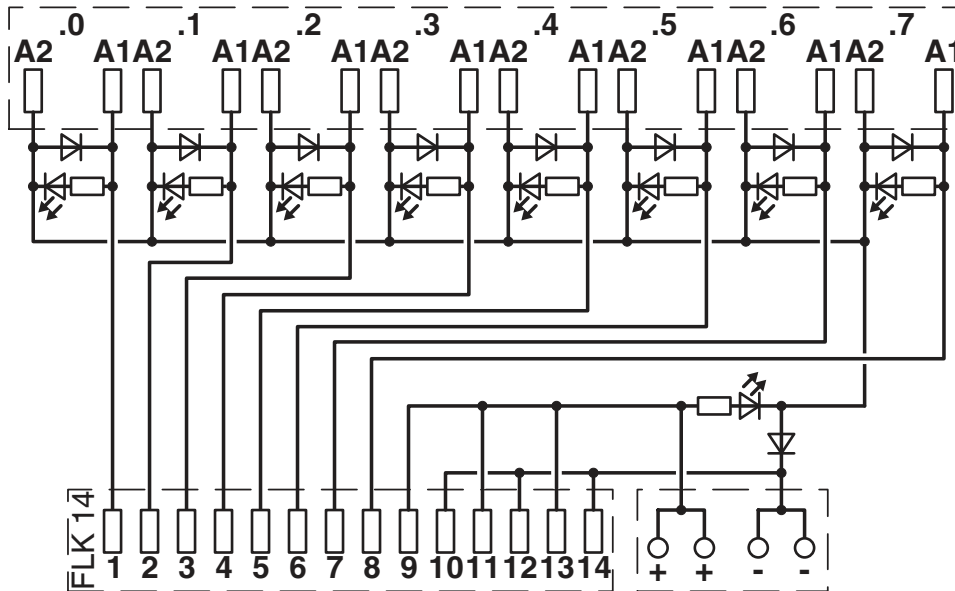


2905195

<https://www.phoenixcontact.com/us/products/2905195>

## Drawings

Circuit diagram



# RIF-1-V8/PT/FLK14/OUT - System connection





2905195


<https://www.phoenixcontact.com/us/products/2905195>

## Approvals

To download certificates, visit the product detail page: <https://www.phoenixcontact.com/us/products/2905195>

 <b>cUL Recognized</b> Approval ID: FILE E 238705				
	Nominal voltage $U_N$	Nominal current $I_N$	Cross section AWG	Cross section $\text{mm}^2$
	24 V	1 A	-	-

 <b>UL Recognized</b> Approval ID: FILE E 238705				
	Nominal voltage $U_N$	Nominal current $I_N$	Cross section AWG	Cross section $\text{mm}^2$
	24 V	1 A	-	-

 <b>CSA</b> Approval ID: 76787	
---	--

<b>cULus Recognized</b>	
-------------------------	--

# RIF-1-V8/PT/FLK14/OUT - System connection



2905195

<https://www.phoenixcontact.com/us/products/2905195>

## Classifications

### ECLASS

ECLASS-11.0	27141152
ECLASS-12.0	27141152
ECLASS-13.0	27141152

### ETIM

ETIM 8.0	EC002780
----------	----------

### UNSPSC

UNSPSC 21.0	39121400
-------------	----------



# RIF-1-V8/PT/FLK14/OUT - System connection



2905195

<https://www.phoenixcontact.com/us/products/2905195>

## Environmental product compliance

REACH SVHC	Lead 7439-92-1
	Hexahydromethylphthalic anhydride
China RoHS	Environmentally Friendly Use Period = 50 years
	For information on hazardous substances, refer to the manufacturer's declaration available under "Downloads"

# RIF-1-V8/PT/FLK14/OUT - System connection



2905195

<https://www.phoenixcontact.com/us/products/2905195>

## Mandatory accessories

### RIF-1-RPT-LDP-24DC/1X21 - Relay Module

2903342

<https://www.phoenixcontact.com/us/products/2903342>



Preassembled relay module with Push-in connection, consisting of: relay base, power contact relay, plug-in display/interference suppression module, and retaining bracket. Contact switching type: 1 changeover contact. Input voltage: 24 V DC

---

### RIF-1-RPT-LDP-24DC/2X21 - Relay Module

2903334

<https://www.phoenixcontact.com/us/products/2903334>



Preassembled relay module with Push-in connection, consisting of: relay base, power contact relay, plug-in display/interference suppression module, and retaining bracket. Contact switching type: 2 changeover contacts. Input voltage: 24 V DC

# RIF-1-V8/PT/FLK14/OUT - System connection



2905195

<https://www.phoenixcontact.com/us/products/2905195>

## RIF-1-RPT-LDP-24DC/2X21AU - Relay Module

2903330

<https://www.phoenixcontact.com/us/products/2903330>



Preassembled relay module with Push-in connection, consisting of: relay base, multi-layer contact relay, plug-in display/interference suppression module, and retaining bracket. Contact switching type: 2 changeover contacts. Input voltage: 24 V DC

---

## RIF-1-RSC-LDP-24DC/1X21 - Relay Module

2903358

<https://www.phoenixcontact.com/us/products/2903358>



Preassembled relay module with screw connection, consisting of: relay base, power contact relay, plug-in display/interference suppression module, and retaining bracket. Contact switching type: 1 changeover contact. Input voltage: 24 V DC

# RIF-1-V8/PT/FLK14/OUT - System connection



2905195

<https://www.phoenixcontact.com/us/products/2905195>

## RIF-1-RSC-LDP-24DC/2X21 - Relay Module

2903350

<https://www.phoenixcontact.com/us/products/2903350>



Preassembled relay module with screw connection, consisting of: relay base, power contact relay, plug-in display/interference suppression module, and retaining bracket. Contact switching type: 2 changeover contacts. Input voltage: 24 V DC

---

## RIF-1-RSC-LDP-24DC/2X21AU - Relay Module

2903346

<https://www.phoenixcontact.com/us/products/2903346>



Preassembled relay module with screw connection, consisting of: relay base, multi-layer contact relay, plug-in display/interference suppression module, and retaining bracket. Contact switching type: 2 changeover contacts. Input voltage: 24 V DC

# RIF-1-V8/PT/FLK14/OUT - System connection

2905195

<https://www.phoenixcontact.com/us/products/2905195>

## RIF-1-BPT/2X21 - Relay base

2900931

<https://www.phoenixcontact.com/us/products/2900931>



Relay base RIF-1..., for miniature power relay with 1 or 2 changeover contacts or solid-state relays of the same design, Push-in connection, plug-in option for input/interference suppression modules, for mounting on NS 35/7,5

---

## RIF-1-BSC/2X21 - Relay base

2900930

<https://www.phoenixcontact.com/us/products/2900930>



RIF-1... relay base, for miniature power relay with 1 or 2 changeover contacts or identical solid-state relays, screw connection, plug-in option for input/interference suppression modules, for mounting on NS 35/7,5

---

## Accessories

# RIF-1-V8/PT/FLK14/OUT - System connection



2905195

<https://www.phoenixcontact.com/us/products/2905195>

## FLK 14/EZ-DR/ 30/KONFEK - Cable

2295729

<https://www.phoenixcontact.com/us/products/2295729>



Round cable set; connection 1: IDC/FLK socket strip (1x 14-position); connection 2: IDC/FLK socket strip (1x 14-position); cable length: 0.3 m

---

## FLK 14/EZ-DR/ 50/KONFEK - Cable

2288901

<https://www.phoenixcontact.com/us/products/2288901>



Round cable set; connection 1: IDC/FLK socket strip (1x 14-position); connection 2: IDC/FLK socket strip (1x 14-position); cable length: 0.5 m

# RIF-1-V8/PT/FLK14/OUT - System connection



2905195

<https://www.phoenixcontact.com/us/products/2905195>

## FLK 14/EZ-DR/ 100/KONFEK - Cable

2288914

<https://www.phoenixcontact.com/us/products/2288914>



Round cable set; connection 1: IDC/FLK socket strip (1x 14-position); connection 2: IDC/FLK socket strip (1x 14-position); cable length: 1 m

---

## FLK 14/EZ-DR/ 150/KONFEK - Cable

2288927

<https://www.phoenixcontact.com/us/products/2288927>



Round cable set; connection 1: IDC/FLK socket strip (1x 14-position); connection 2: IDC/FLK socket strip (1x 14-position); cable length: 1.5 m

# RIF-1-V8/PT/FLK14/OUT - System connection



2905195

<https://www.phoenixcontact.com/us/products/2905195>

## FLK 14/EZ-DR/ 200/KONFEK - Cable

2288930

<https://www.phoenixcontact.com/us/products/2288930>



Round cable set; connection 1: IDC/FLK socket strip (1x 14-position); connection 2: IDC/FLK socket strip (1x 14-position); cable length: 2 m

---

## FLK 14/EZ-DR/ 250/KONFEK - Cable

2288943

<https://www.phoenixcontact.com/us/products/2288943>



Round cable set; connection 1: IDC/FLK socket strip (1x 14-position); connection 2: IDC/FLK socket strip (1x 14-position); cable length: 2.5 m



# RIF-1-V8/PT/FLK14/OUT - System connection



2905195

<https://www.phoenixcontact.com/us/products/2905195>

## FLK 14/EZ-DR/ 300/KONFEK - Cable

2288956

<https://www.phoenixcontact.com/us/products/2288956>



Round cable set; connection 1: IDC/FLK socket strip (1x 14-position); connection 2: IDC/FLK socket strip (1x 14-position); cable length: 3 m

---

## FLK 14/EZ-DR/ 350/KONFEK - Cable

2288969

<https://www.phoenixcontact.com/us/products/2288969>



Round cable set; connection 1: IDC/FLK socket strip (1x 14-position); connection 2: IDC/FLK socket strip (1x 14-position); cable length: 3.5 m

# RIF-1-V8/PT/FLK14/OUT - System connection



2905195

<https://www.phoenixcontact.com/us/products/2905195>

## FLK 14/EZ-DR/ 400/KONFEK - Cable

2288972

<https://www.phoenixcontact.com/us/products/2288972>



Round cable set; connection 1: IDC/FLK socket strip (1x 14-position); connection 2: IDC/FLK socket strip (1x 14-position); cable length: 4 m

---

## FLK 14/EZ-DR/ 500/KONFEK - Cable

2290834

<https://www.phoenixcontact.com/us/products/2290834>



Round cable set; connection 1: IDC/FLK socket strip (1x 14-position); connection 2: IDC/FLK socket strip (1x 14-position); cable length: 5 m

# RIF-1-V8/PT/FLK14/OUT - System connection



2905195

<https://www.phoenixcontact.com/us/products/2905195>

## FLK 14/EZ-DR/ 600/KONFEK - Cable

2290863

<https://www.phoenixcontact.com/us/products/2290863>



Round cable set; connection 1: IDC/FLK socket strip (1x 14-position); connection 2: IDC/FLK socket strip (1x 14-position); cable length: 6 m

---

## FLK 14/EZ-DR/ 800/KONFEK - Cable

2299563

<https://www.phoenixcontact.com/us/products/2299563>



Round cable set; connection 1: IDC/FLK socket strip (1x 14-position); connection 2: IDC/FLK socket strip (1x 14-position); cable length: 8 m

# RIF-1-V8/PT/FLK14/OUT - System connection



2905195

<https://www.phoenixcontact.com/us/products/2905195>

## FLK 14/EZ-DR/1000/KONFEK - Cable

2299576

<https://www.phoenixcontact.com/us/products/2299576>



Round cable set; connection 1: IDC/FLK socket strip (1x 14-position); connection 2: IDC/FLK socket strip (1x 14-position); cable length: 10 m

---

## FLK 14/EZ-DR/HF/ 50/KONFEK - Cable

2305952

<https://www.phoenixcontact.com/us/products/2305952>



Assembled, halogen-free round cable; connection 1: IDC/FLK socket strip (1x 14-position); connection 2: IDC/FLK socket strip (1x 14-position); cable length: 0.5 m

# RIF-1-V8/PT/FLK14/OUT - System connection



2905195

<https://www.phoenixcontact.com/us/products/2905195>

## FLK 14/EZ-DR/HF/ 100/KONFEK - Cable

2305965

<https://www.phoenixcontact.com/us/products/2305965>



Assembled, halogen-free round cable; connection 1: IDC/FLK socket strip (1x 14-position); connection 2: IDC/FLK socket strip (1x 14-position); cable length: 1 m

---

## FLK 14/EZ-DR/HF/ 150/KONFEK - Cable

2305978

<https://www.phoenixcontact.com/us/products/2305978>



Assembled, halogen-free round cable; connection 1: IDC/FLK socket strip (1x 14-position); connection 2: IDC/FLK socket strip (1x 14-position); cable length: 1.5 m

# RIF-1-V8/PT/FLK14/OUT - System connection



2905195

<https://www.phoenixcontact.com/us/products/2905195>

## FLK 14/EZ-DR/HF/ 200/KONFEK - Cable

2305981

<https://www.phoenixcontact.com/us/products/2305981>



Assembled, halogen-free round cable; connection 1: IDC/FLK socket strip (1x 14-position); connection 2: IDC/FLK socket strip (1x 14-position); cable length: 2 m

---

## FLK 14/EZ-DR/HF/ 250/KONFEK - Cable

2305994

<https://www.phoenixcontact.com/us/products/2305994>



Assembled, halogen-free round cable; connection 1: IDC/FLK socket strip (1x 14-position); connection 2: IDC/FLK socket strip (1x 14-position); cable length: 2.5 m

# RIF-1-V8/PT/FLK14/OUT - System connection



2905195

<https://www.phoenixcontact.com/us/products/2905195>

## FLK 14/EZ-DR/HF/ 300/KONFEK - Cable

2304759

<https://www.phoenixcontact.com/us/products/2304759>



Assembled, halogen-free round cable; connection 1: IDC/FLK socket strip (1x 14-position); connection 2: IDC/FLK socket strip (1x 14-position); cable length: 3 m

---

## FLK 14/EZ-DR/HF/ 400/KONFEK - Cable

2304762

<https://www.phoenixcontact.com/us/products/2304762>



Assembled, halogen-free round cable; connection 1: IDC/FLK socket strip (1x 14-position); connection 2: IDC/FLK socket strip (1x 14-position); cable length: 4 m

# RIF-1-V8/PT/FLK14/OUT - System connection



2905195

<https://www.phoenixcontact.com/us/products/2905195>

## FLK 14/EZ-DR/HF/ 500/KONFEK - Cable

2304717

<https://www.phoenixcontact.com/us/products/2304717>



Assembled, halogen-free round cable; connection 1: IDC/FLK socket strip (1x 14-position); connection 2: IDC/FLK socket strip (1x 14-position); cable length: 5 m

---

## FLK 14/EZ-DR/HF/ 600/KONFEK - Cable

2306003

<https://www.phoenixcontact.com/us/products/2306003>



Assembled, halogen-free round cable; connection 1: IDC/FLK socket strip (1x 14-position); connection 2: IDC/FLK socket strip (1x 14-position); cable length: 6 m



# RIF-1-V8/PT/FLK14/OUT - System connection



2905195

<https://www.phoenixcontact.com/us/products/2905195>

## FLK 14-EZ-DR-HF/... - Cable

2314040

<https://www.phoenixcontact.com/us/products/2314040>



Assembled, halogen-free round cable; connection 1: IDC/FLK socket strip (1x 14-position); connection 2: IDC/FLK socket strip (1x 14-position); cable length: variable

---

## FLK 14/EZ-DR/ 50/KONFEK/S - Cable

2296977

<https://www.phoenixcontact.com/us/products/2296977>



Assembled shielded round cable; connection 1: IDC/FLK socket strip (1x 14-position); connection 2: IDC/FLK socket strip (1x 14-position) (The braided shield is routed to a separate cable end.); cable length: 0.5 m

# RIF-1-V8/PT/FLK14/OUT - System connection



2905195

<https://www.phoenixcontact.com/us/products/2905195>

## FLK 14/EZ-DR/ 100/KONFEK/S - Cable

2296980

<https://www.phoenixcontact.com/us/products/2296980>



Assembled shielded round cable; connection 1: IDC/FLK socket strip (1x 14-position); connection 2: IDC/FLK socket strip (1x 14-position) (The braided shield is routed to a separate cable end.); cable length: 1 m

---

## FLK 14/EZ-DR/ 120/KONFEK/S - Cable

2299071

<https://www.phoenixcontact.com/us/products/2299071>



Assembled shielded round cable; connection 1: IDC/FLK socket strip (1x 14-position); connection 2: IDC/FLK socket strip (1x 14-position) (The braided shield is routed to a separate cable end.); cable length: 1.2 m

# RIF-1-V8/PT/FLK14/OUT - System connection



2905195

<https://www.phoenixcontact.com/us/products/2905195>

## FLK 14/EZ-DR/ 150/KONFEK/S - Cable

2296993

<https://www.phoenixcontact.com/us/products/2296993>



Assembled shielded round cable; connection 1: IDC/FLK socket strip (1x 14-position); connection 2: IDC/FLK socket strip (1x 14-position) (The braided shield is routed to a separate cable end.); cable length: 1.5 m

---

## FLK 14/EZ-DR/ 180/KONFEK/S - Cable

2299084

<https://www.phoenixcontact.com/us/products/2299084>



Assembled shielded round cable; connection 1: IDC/FLK socket strip (1x 14-position); connection 2: IDC/FLK socket strip (1x 14-position) (The braided shield is routed to a separate cable end.); cable length: 1.8 m

# RIF-1-V8/PT/FLK14/OUT - System connection



2905195

<https://www.phoenixcontact.com/us/products/2905195>

## FLK 14/EZ-DR/ 200/KONFEK/S - Cable

2297002

<https://www.phoenixcontact.com/us/products/2297002>



Assembled shielded round cable; connection 1: IDC/FLK socket strip (1x 14-position); connection 2: IDC/FLK socket strip (1x 14-position) (The braided shield is routed to a separate cable end.); cable length: 2 m

---

## FLK 14/EZ-DR/ 300/KONFEK/S - Cable

2299013

<https://www.phoenixcontact.com/us/products/2299013>



Assembled shielded round cable; connection 1: IDC/FLK socket strip (1x 14-position); connection 2: IDC/FLK socket strip (1x 14-position) (The braided shield is routed to a separate cable end.); cable length: 3 m

# RIF-1-V8/PT/FLK14/OUT - System connection



2905195

<https://www.phoenixcontact.com/us/products/2905195>

## FLK 14/EZ-DR/ 400/KONFEK/S - Cable

2299026

<https://www.phoenixcontact.com/us/products/2299026>



Assembled shielded round cable; connection 1: IDC/FLK socket strip (1x 14-position); connection 2: IDC/FLK socket strip (1x 14-position) (The braided shield is routed to a separate cable end.); cable length: 4 m

---

## FLK 14/EZ-DR/ 600/KONFEK/S - Cable

2299039

<https://www.phoenixcontact.com/us/products/2299039>



Assembled shielded round cable; connection 1: IDC/FLK socket strip (1x 14-position); connection 2: IDC/FLK socket strip (1x 14-position) (The braided shield is routed to a separate cable end.); cable length: 6 m

# RIF-1-V8/PT/FLK14/OUT - System connection



2905195

<https://www.phoenixcontact.com/us/products/2905195>

## FLK 14/EZ-DR/ 800/KONFEK/S - Cable

2299042

<https://www.phoenixcontact.com/us/products/2299042>



Assembled shielded round cable; connection 1: IDC/FLK socket strip (1x 14-position); connection 2: IDC/FLK socket strip (1x 14-position) (The braided shield is routed to a separate cable end.); cable length: 8 m

---

## FLK 14/EZ-DR/1000/KONFEK/S - Cable

2299055

<https://www.phoenixcontact.com/us/products/2299055>



Assembled shielded round cable; connection 1: IDC/FLK socket strip (1x 14-position); connection 2: IDC/FLK socket strip (1x 14-position) (The braided shield is routed to a separate cable end.); cable length: 10 m

# RIF-1-V8/PT/FLK14/OUT - System connection



2905195

<https://www.phoenixcontact.com/us/products/2905195>

## FLK 50/4X14/EZ-DR/ 50/KONFEK - Cable

2296689

<https://www.phoenixcontact.com/us/products/2296689>



Round cable set; connection 1: IDC/FLK socket strip (1x 50-position); connection 2: IDC/FLK socket strip (4x 14-position); cable length: 0.5 m

---

## FLK 50/4X14/EZ-DR/ 100/KONFEK - Cable

2296692

<https://www.phoenixcontact.com/us/products/2296692>



Round cable set; connection 1: IDC/FLK socket strip (1x 50-position); connection 2: IDC/FLK socket strip (4x 14-position); cable length: 1 m

# RIF-1-V8/PT/FLK14/OUT - System connection

2905195

<https://www.phoenixcontact.com/us/products/2905195>

## FLK 50/4X14/EZ-DR/ 150/KONFEK - Cable

2296702

<https://www.phoenixcontact.com/us/products/2296702>



Round cable set; connection 1: IDC/FLK socket strip (1x 50-position); connection 2: IDC/FLK socket strip (4x 14-position); cable length: 1.5 m

---

## FLK 50/4X14/EZ-DR/ 200/KONFEK - Cable

2296715

<https://www.phoenixcontact.com/us/products/2296715>



Round cable set; connection 1: IDC/FLK socket strip (1x 50-position); connection 2: IDC/FLK socket strip (4x 14-position); cable length: 2 m



# RIF-1-V8/PT/FLK14/OUT - System connection

2905195

<https://www.phoenixcontact.com/us/products/2905195>

## FLK 50/4X14/EZ-DR/ 250/KONFEK - Cable

2305402

<https://www.phoenixcontact.com/us/products/2305402>



Round cable set; connection 1: IDC/FLK socket strip (1x 50-position); connection 2: IDC/FLK socket strip (4x 14-position); cable length: 2.5 m

---

## FLK 50/4X14/EZ-DR/ 300/KONFEK - Cable

2296728

<https://www.phoenixcontact.com/us/products/2296728>



Round cable set; connection 1: IDC/FLK socket strip (1x 50-position); connection 2: IDC/FLK socket strip (4x 14-position); cable length: 3 m

# RIF-1-V8/PT/FLK14/OUT - System connection

2905195

<https://www.phoenixcontact.com/us/products/2905195>

## FLK 50/4X14/EZ-DR/ 400/KONFEK - Cable

2296731

<https://www.phoenixcontact.com/us/products/2296731>



Round cable set; connection 1: IDC/FLK socket strip (1x 50-position); connection 2: IDC/FLK socket strip (4x 14-position); cable length: 4 m

---

## FLK 50/4X14/EZ-DR/ 600/KONFEK - Cable

2296744

<https://www.phoenixcontact.com/us/products/2296744>



Round cable set; connection 1: IDC/FLK socket strip (1x 50-position); connection 2: IDC/FLK socket strip (4x 14-position); cable length: 6 m

# RIF-1-V8/PT/FLK14/OUT - System connection

2905195

<https://www.phoenixcontact.com/us/products/2905195>

## FLK 50/4X14/EZ-DR/1000/KONFEK - Cable

2296773

<https://www.phoenixcontact.com/us/products/2296773>



Round cable set; connection 1: IDC/FLK socket strip (1x 50-position); connection 2: IDC/FLK socket strip (4x 14-position); cable length: 10 m

---

## FLK 50-4X14-EZ-DR ... - Cable

2302405

<https://www.phoenixcontact.com/us/products/2302405>



Round cable set; connection 1: IDC/FLK socket strip (1x 50-position); connection 2: IDC/FLK socket strip (4x 14-position); cable length: variable

# RIF-1-V8/PT/FLK14/OUT - System connection



2905195

<https://www.phoenixcontact.com/us/products/2905195>

## FLK 50-4X14-EZ-DR-S ... - Cable

2302447

<https://www.phoenixcontact.com/us/products/2302447>



Assembled shielded round cable; connection 1: IDC/FLK socket strip (1x 50-position); connection 2: IDC/FLK socket strip (4x 14-position) (The braided shield is routed to four separate cable ends.); cable length: variable

---

Phoenix Contact 2023 © - all rights reserved

<https://www.phoenixcontact.com>

Phoenix Contact USA  
586 Fulling Mill Road  
Middletown, PA 17057, United States  
(+717) 944-1300  
[info@phoenixcon.com](mailto:info@phoenixcon.com)