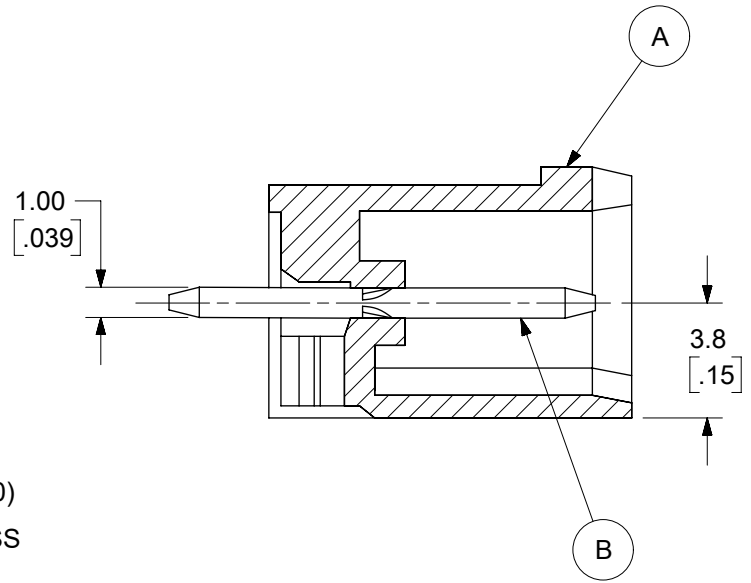
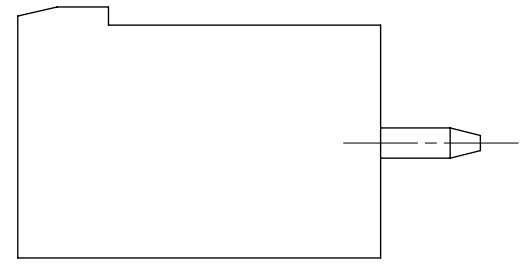
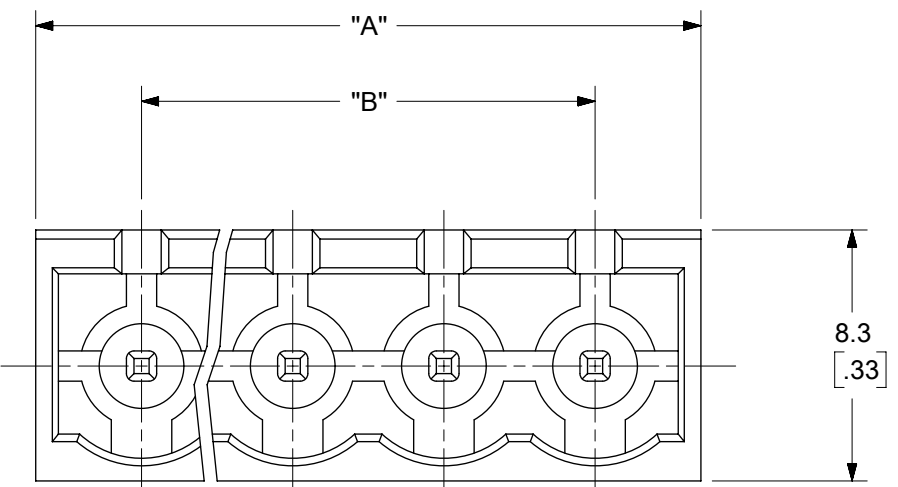
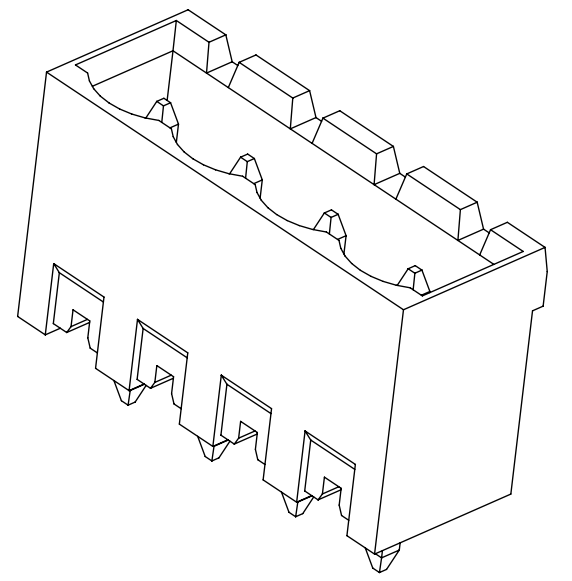
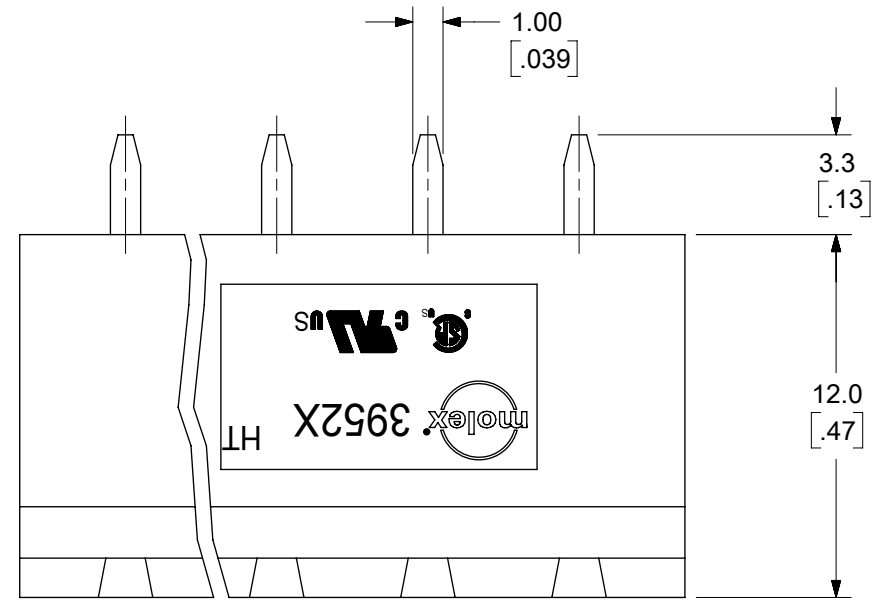


PCB LAYOUT



SPECIFICATIONS:

- MATERIAL:
 - (A). BODY: PA46 (UL94-V0)
 - (B). PIN MATERIAL: BRASS
 PIN FINISH:
 - TIN - 3 µm (118 µin) MIN MATTE TIN
 - OVER 2 µm (79 µin) MIN NICKEL
 - GOLD - 0.76 µm (30 µin) MIN GOLD IN CONTACT AREA, 3 µm (118 µin) MIN MATTE TIN IN SOLDER AREA.
 - 2 µm (79 µin) MIN NICKEL UNDERPLATE
- ELECTRICAL RATING: 300V, 18A (PER UL)
- OPERATING TEMPERATURE: -40°C to +115°C.
- INSULATION RESISTANCE: DC 500V, 500MΩ.
- DIELECTRIC WITHSTAND: AC 2500V FOR 1 MINUTE.
- BREAKDOWN VOLTAGE : 4000V.

TOLERANCES			
MM	TOL	INCH	TOL
0-6	±0.25	0-.24	±.010
>6-30	±0.40	.24-1.18	±.016
>30-120	±0.50	1.18-4.76	±.020
>120	±0.80	>4.76	±.031

THIS DRAWING CONTAINS INFORMATION THAT IS PROPRIETARY TO MOLEX ELECTRONIC TECHNOLOGIES, LLC AND SHOULD NOT BE USED WITHOUT WRITTEN PERMISSION											
FUNCTIONAL SYMBOLS		DIMENSION UNITS		SCALE		CURRENT REV DESC: MODIFIED SPECIFICATIONS					
FA = 0		MM/INCH		4:1		<p>EC NO: 735568 DRWN: ABENJAMINLW 2023/01/11 CHKD: DACHAMMER 2023/01/17 APPR: JFMURPHY 2023/01/27</p> <p>INITIAL REVISION: DRWN: LROTHAUS 2006/01/09 APPR: JPAWLICK 2006/01/10</p>					
FE = 0		GENERAL TOLERANCES (UNLESS SPECIFIED)									
FD = 0		MM		INCH							
DIVISIONAL SYMBOLS		4 PLACES ± --- ± ---		3 PLACES ± --- ± SEE CHART							
		2 PLACES ± SEE CHART ± SEE CHART		1 PLACE ± SEE CHART ± ---		<p>PRODUCT CUSTOMER DRAWING</p> <p>DOCUMENT NUMBER: SD-39521-001 DOC TYPE: PSD DOC PART: 001 REVISION: A3</p>					
		0 PLACES ± --- ± ---		ANGULAR TOL ± ---		DRAFT WHERE APPLICABLE MUST REMAIN WITHIN DIMENSIONS		THIRD ANGLE PROJECTION		DRAWING: B-SIZE	
						SERIES: 39521		MATERIAL NUMBER: SEE SHEET-2		CUSTOMER: GENERAL MARKET	
								SHEET NUMBER: 1 OF 2			

F

F

DESCRIPTION	CIRCUIT SIZE	MATERIAL NUMBERS						DIMENSIONAL INFORMATION			
		BLACK									
		100% TIN			30 u" GOLD			DIM. "A"		DIM. "B"	
		PRINTING OPTIONS			PRINTING OPTIONS			mm	inch	mm	inch
		None	10AV	11AV	None	10AV	11AV				
5.0MM, EURO HEADER, VERTICAL, HIGH TEMP	2	395214002	395214302	395214402	395214502	395214802	395214902	12.00	.472	5.00	.197
5.0MM, EURO HEADER, VERTICAL, HIGH TEMP	3	395214003	395214303	395214403	395214503	395214803	395214903	17.00	.669	10.00	.394
5.0MM, EURO HEADER, VERTICAL, HIGH TEMP	4	395214004	395214304	395214404	395214504	395214804	395214904	22.00	.866	15.00	.591
5.0MM, EURO HEADER, VERTICAL, HIGH TEMP	5	395214005	395214305	395214405	395214505	395214805	395214905	27.00	1.063	20.00	.787
5.0MM, EURO HEADER, VERTICAL, HIGH TEMP	6	395214006	395214306	395214406	395214506	395214806	395214906	32.00	1.260	25.00	.984
5.0MM, EURO HEADER, VERTICAL, HIGH TEMP	7	395214007	395214307	395214407	395214507	395214807	395214907	37.00	1.457	30.00	1.181
5.0MM, EURO HEADER, VERTICAL, HIGH TEMP	8	395214008	395214308	395214408	395214508	395214808	395214908	42.00	1.654	35.00	1.378
5.0MM, EURO HEADER, VERTICAL, HIGH TEMP	9	395214009	395214309	395214409	395214509	395214809	395214909	47.00	1.850	40.00	1.575
5.0MM, EURO HEADER, VERTICAL, HIGH TEMP	10	395214010	395214310	395214410	395214510	395214810	395214910	52.00	2.047	45.00	1.772
5.0MM, EURO HEADER, VERTICAL, HIGH TEMP	11	395214011	395214311	395214411	395214511	395214811	395214911	57.00	2.244	50.00	1.969
5.0MM, EURO HEADER, VERTICAL, HIGH TEMP	12	395214012	395214312	395214412	395214512	395214812	395214912	62.00	2.441	55.00	2.165
5.0MM, EURO HEADER, VERTICAL, HIGH TEMP	13	395214013	395214313	395214413	395214513	395214813	395214913	67.00	2.638	60.00	2.362
5.0MM, EURO HEADER, VERTICAL, HIGH TEMP	14	395214014	395214314	395214414	395214514	395214814	395214914	72.00	2.835	65.00	2.559
5.0MM, EURO HEADER, VERTICAL, HIGH TEMP	15	395214015	395214315	395214415	395214515	395214815	395214915	77.00	3.031	70.00	2.756
5.0MM, EURO HEADER, VERTICAL, HIGH TEMP	16	395214016	395214316	395214416	395214516	395214816	395214916	82.00	3.228	75.00	2.953
5.0MM, EURO HEADER, VERTICAL, HIGH TEMP	17	395214017	395214317	395214417	395214517	395214817	395214917	87.00	3.425	80.00	3.150
5.0MM, EURO HEADER, VERTICAL, HIGH TEMP	18	395214018	395214318	395214418	395214518	395214818	395214918	92.00	3.622	85.00	3.346
5.0MM, EURO HEADER, VERTICAL, HIGH TEMP	19	395214019	395214319	395214419	395214519	395214819	395214919	97.00	3.819	90.00	3.543
5.0MM, EURO HEADER, VERTICAL, HIGH TEMP	20	395214020	395214320	395214420	395214520	395214820	395214920	102.00	4.016	95.00	3.740
5.0MM, EURO HEADER, VERTICAL, HIGH TEMP	21	395214021	395214321	395214421	395214521	395214821	395214921	107.00	4.213	100.00	3.937
5.0MM, EURO HEADER, VERTICAL, HIGH TEMP	22	395214022	395214322	395214422	395214522	395214822	395214922	112.00	4.409	105.00	4.134
5.0MM, EURO HEADER, VERTICAL, HIGH TEMP	23	395214023	395214323	395214423	395214523	395214823	395214923	117.00	4.606	110.00	4.331
5.0MM, EURO HEADER, VERTICAL, HIGH TEMP	24	395214024	395214324	395214424	395214524	395214824	395214924	122.00	4.803	115.00	4.528

E

E

D

D

C

C

B

B

A

A

TOLERANCES			
MM	TOL	INCH	TOL
0-6	±0.25	0-.24	±.010
>6-30	±0.40	.24-1.18	±.016
>30-120	±0.50	1.18-4.76	±.020
>120	±0.80	>4.76	±.031

FUNCTIONAL SYMBOLS	THIS DRAWING CONTAINS INFORMATION THAT IS PROPRIETARY TO MOLEX ELECTRONIC TECHNOLOGIES, LLC AND SHOULD NOT BE USED WITHOUT WRITTEN PERMISSION		
$\nabla_A = 0$ $\nabla_B = 0$ $\nabla_C = 0$	DIMENSION UNITS MM/INCH	SCALE 4:1	CURRENT REV DESC: MODIFIED SPECIFICATIONS
	GENERAL TOLERANCES (UNLESS SPECIFIED)		molex 5.0MM, EURO HEADER, VERTICAL, HI-TEMP PRODUCT CUSTOMER DRAWING
	4 PLACES	± --- ± ---	
	3 PLACES	± --- ± SEE CHART	
	2 PLACES	± SEE CHART ± SEE CHART	
	1 PLACE	± SEE CHART ± ---	
	0 PLACES	± --- ± ---	EC NO: 735568 DRWN: ABENJAMINLW CHKD: DACHAMMER APPR: JFMURPHY
	ANGULAR TOL	± ---	INITIAL REVISION: DRWN: LROTHAUS APPR: JPAWLICK
DRAFT WHERE APPLICABLE MUST REMAIN WITHIN DIMENSIONS		THIRD ANGLE PROJECTION 	DRAWING B-SIZE
DOCUMENT STATUS P1 RELEASE DATE 2023/01/27 16:26:19		SERIES 39521	MATERIAL NUMBER CUSTOMER SHEET NUMBER SEE CHART GENERAL MARKET 2 OF 2