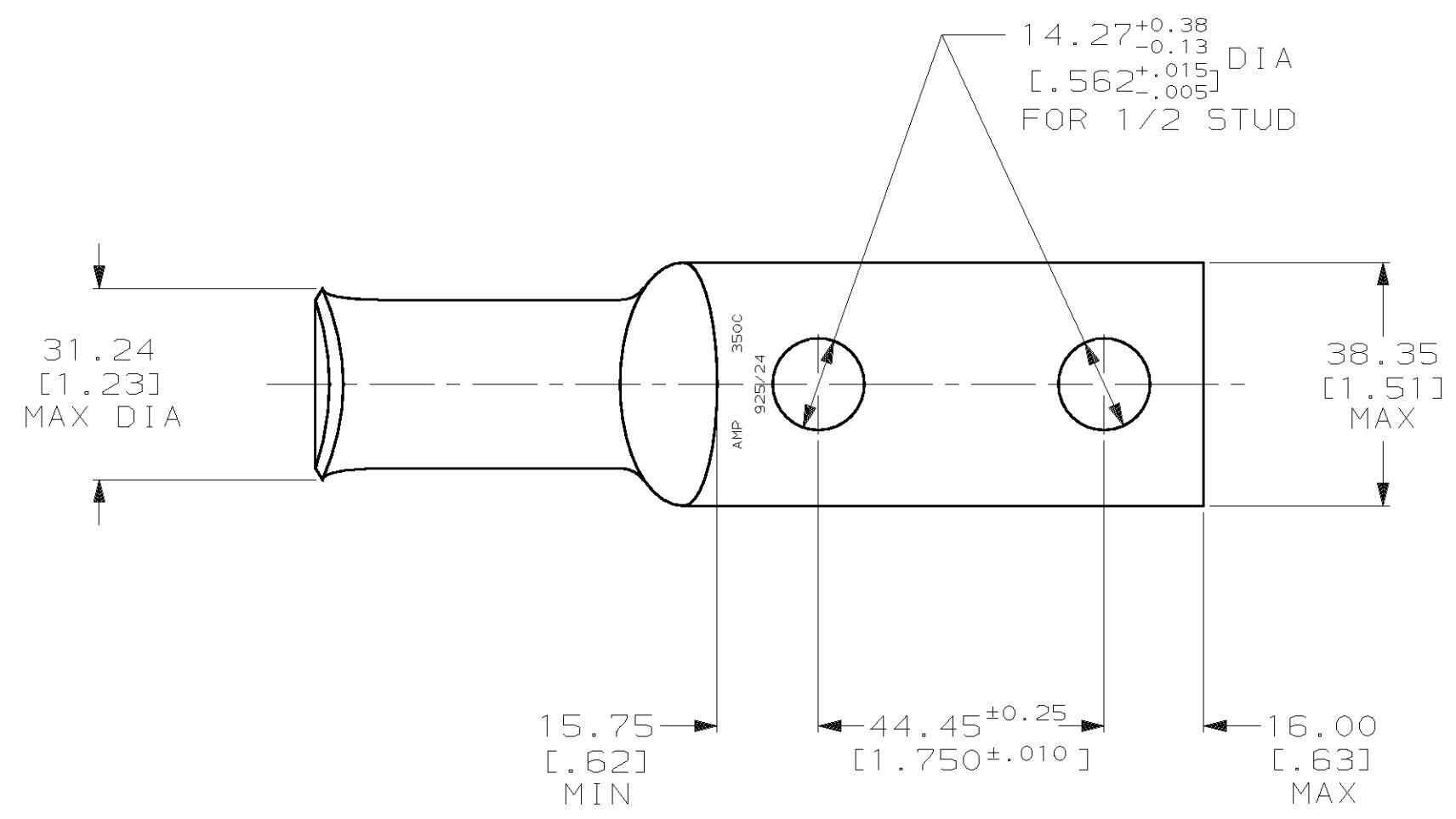
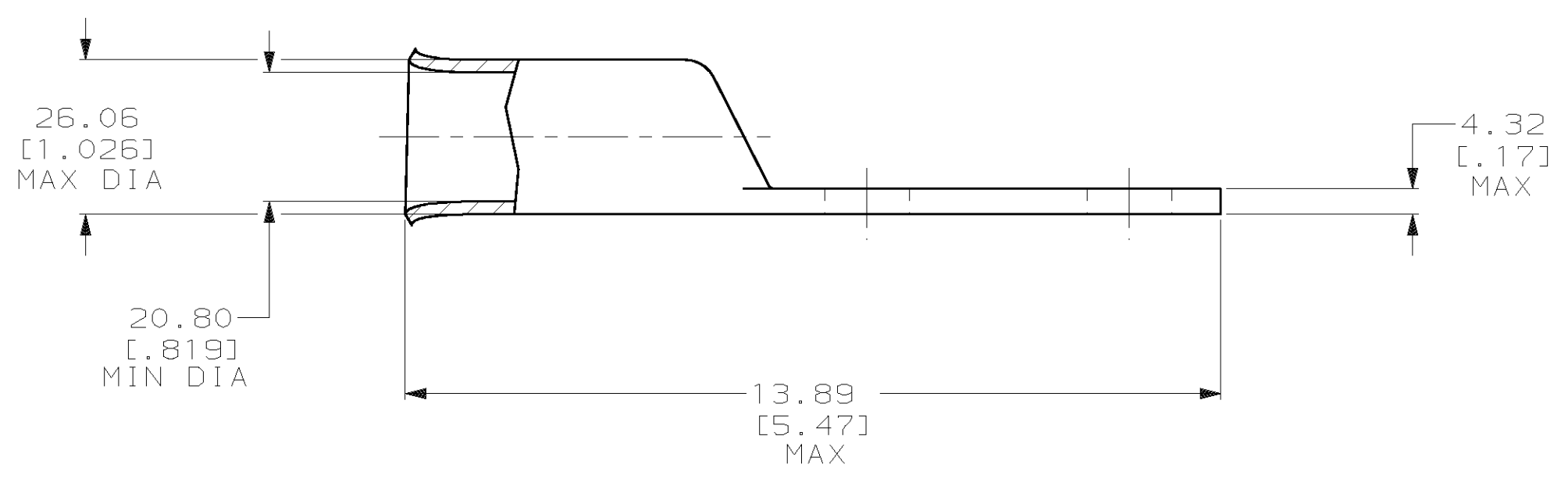


THIS DRAWING IS UNPUBLISHED. RELEASED FOR PUBLICATION ,19 .
 © COPYRIGHT 19 BY AMP INCORPORATED. ALL INTERNATIONAL RIGHTS RESERVED.

LOC		DIST		P		F		ZONE		LTR		REVISIONS		DATE	APPD
G		86										F REV PER 063A-0561-01		030CT02	JR/MS



1 CIRCULAR MIL RANGE: 325-375 MCM
 2 TIN PL 0.00381 [0.00150] MIN THK PER MIL-T-10727



DO NOT SCALE PRINT. UNLESS SPECIFIED DIMENSIONS IN mm [INCHES] TOLERANCES ON : 2 PLC DEC ± 0.51 [.020] 3 PLC DEC ± - ANGLES ± -		DR 02/28/90 DK SCHRUM	AMP INCORPORATED Harrisburg, Pa. 17105	
MATERIAL ANNEALED COPPER ASTM B-75		CHK 23JAN95 MS FEHER		
FINISH 2		APPD 23JAN95 WJ VOCKROTH	PRODUCT SPEC 108-30200	SIZE C
APPLICATION SPEC -		APPD 23JAN95 TL SHUTTER	APPLICATION SPEC -	CAGE CODE 00779
WEIGHT .368 LB		SCALE 1:1	DRAWING NO 53641	SHEET 1 OF 1

53641-2
PART NO