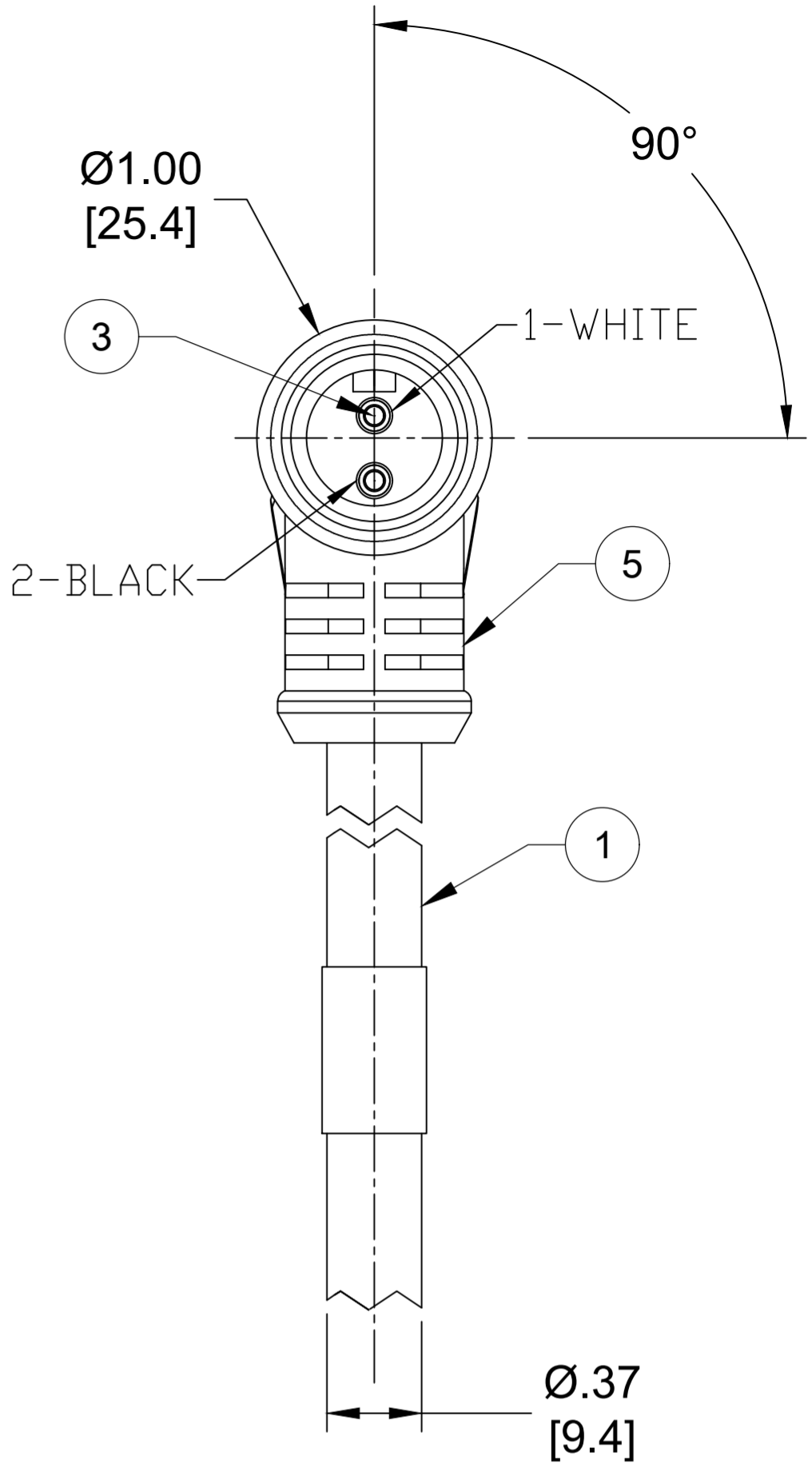
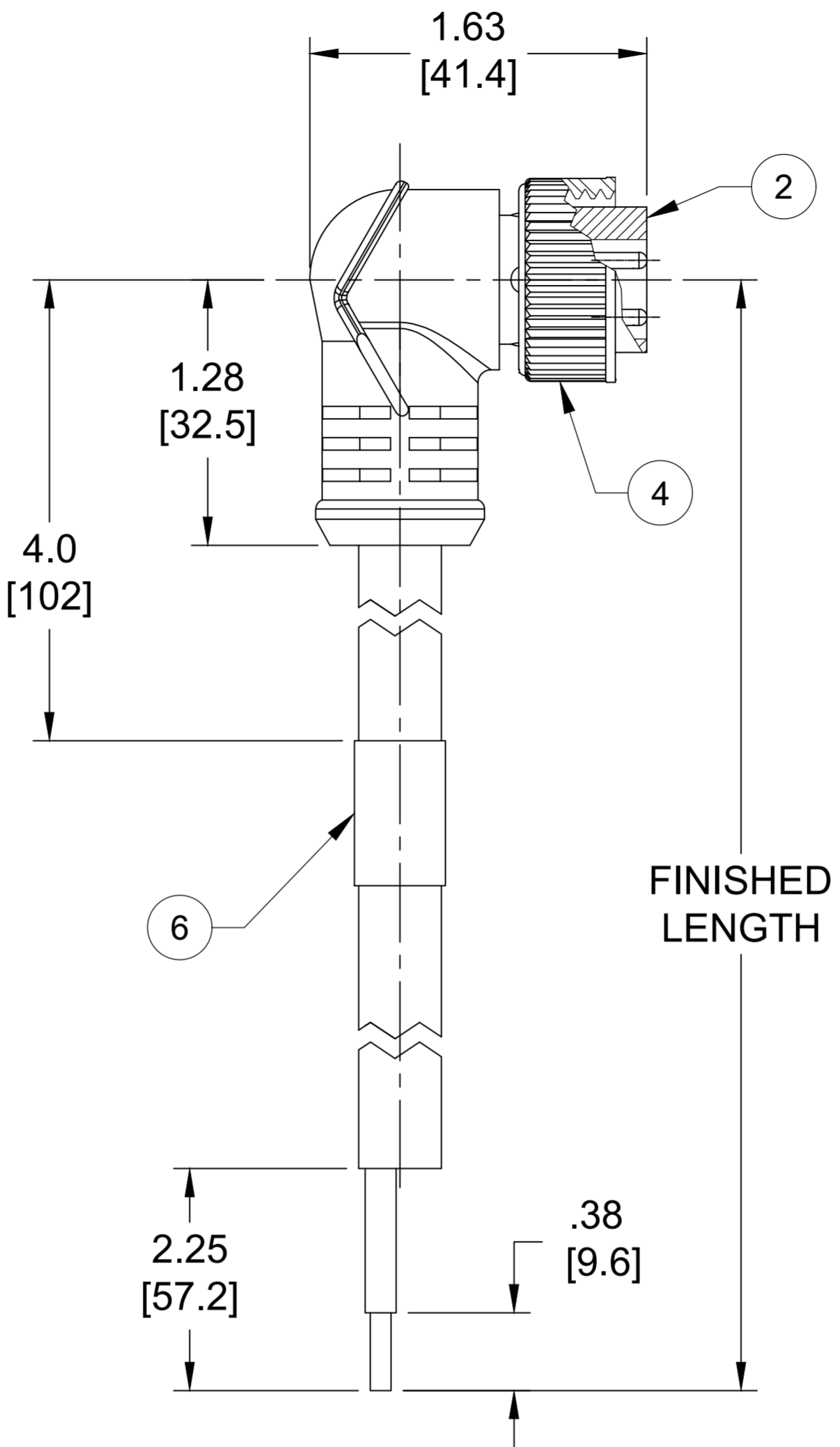
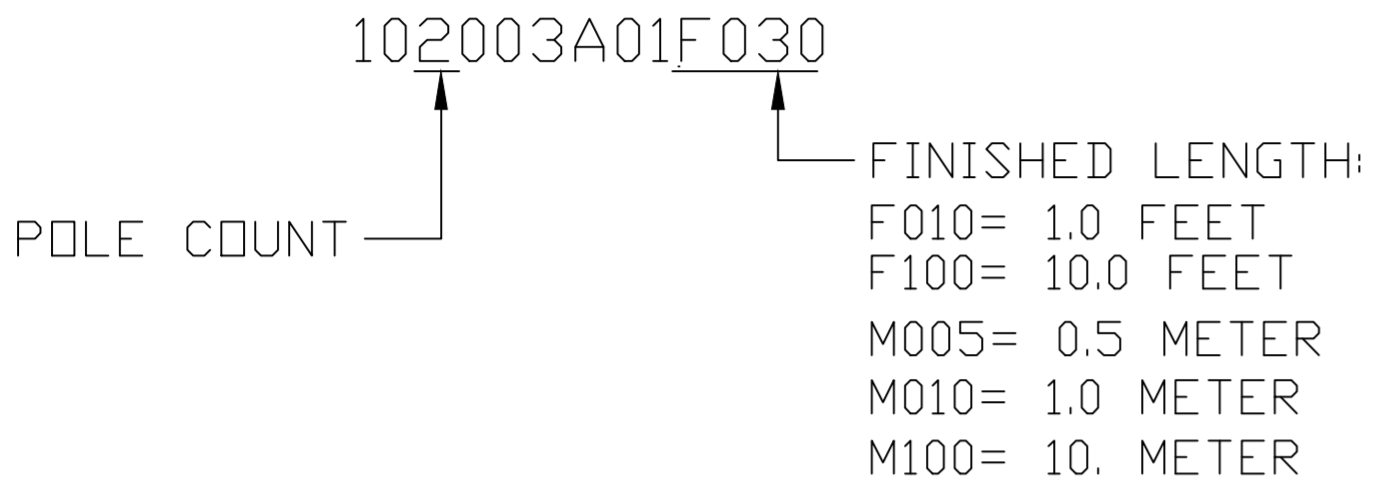


PART NO.	ENGINEERING NO.	FINISHED LENGTH
1300060192	102003A01F030	3.0FT [91.4M]
1300060194	102003A01F060	6.0FT [1.8M]
1300060200	102003A01F200	20.0FT [6.1M]

REF. THIS DRAWING SUPERSEDES SD-130006-035 REV-1 (A)

PART NUMBER LEGEND



- NOTES:**
1. MATERIAL: AS NOTED
 2. FINISH: AS NOTED
 3. ELECTRICAL:
VOLTAGE: 500V PER IEC60664
600V PER UL2238
CURRENT: 13A
 4. TEMP RATING: -20°TO +80°C
 5. PROTECTION: IP67 (WHEN MATED)
 6. COUPLING THREAD: 7/8-16UN
 7. UL RECOGNIZED FILE: E152210
CSA CERTIFIED FILE: LR6837
 8. ALL DIMS ARE FOR REFERENCE UNLESS TOLERANCED OR NOTED OTHERWISE

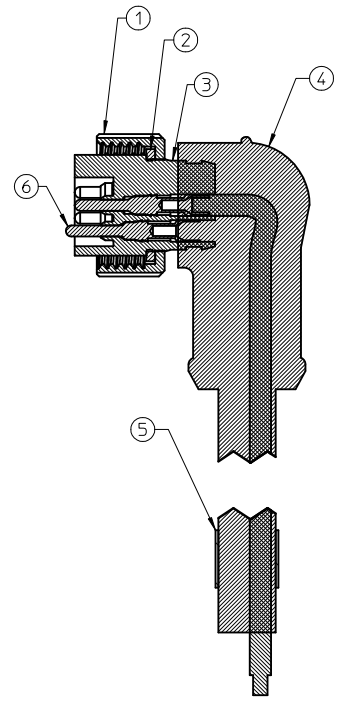
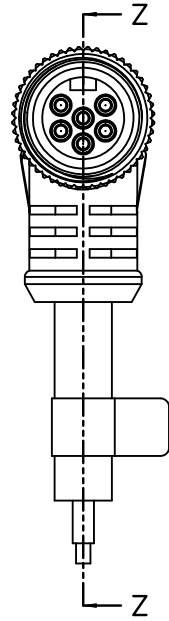
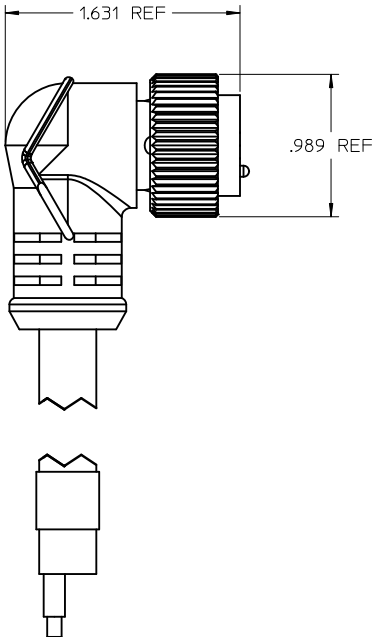
CABLE LENGTH TOLERANCES	
>.3M [1FT]:	+19mm-0 [+ .75in-0]
.3 - .9M [1 - 3FT]:	+44.5mm-0 [+1.75in-0]
.9 - 1.8M [3 - 6FT]:	+55.6mm-0 [+2.19in-0]
1.8 - 3.7M [6 - 12FT]:	+88.9mm-0 [+3.50in-0]
3.7 - 7.3M [12 - 24FT]:	+165.1mm-0 [+6.50in-0]
7.3-14.6M [24 - 48FT]:	+317.5mm-0 [+12.50in-0]
14.6 - 30.5M [48-100FT]:	+622.3mm-0 [+24.50in-0]
OVER 30M [100FT]	+2% OF FINISHED LENGTH

ITEM	DESCRIPTION	MATERIAL	FINISH
6	WRAP LABEL	VINYL	BLACK/YELLOW
5	OVERMOLD	TPE	YELLOW
4	COUPLING NUT, INT. THD	ZINC DIE-CAST	NICKEL PLATED
3	CONTACT PIN	COPPER ALLOY	GOLD PLATED
2	MALE INSERT	TPE	YELLOW
1	CABLE, 16/2, ST00W	PVC JACKET	YELLOW

SYMBOLS DIMENSION UNITS: INCH/MM SCALE: 1:1 CURRENT REV DESC: REDRAWN, WAS SD-130006-035				molex MINI CHANGE CABLE ASSY, 2P MALE, 90 DEG 16AWG, ST00W, INTERNAL THREAD	
GENERAL TOLERANCES (UNLESS SPECIFIED) 4 PLACES ± .004 ± .004 3 PLACES ± .004 ± .004 2 PLACES ± .004 ± .004 1 PLACE ± .004 ± .004 0 PLACES ± .004 ± .004		EC NO: 624117 DRWN: RSTONE 2019/09/10 CHK'D: MZIELINSKI 2019/09/19 APPR: BWOODMAN 2019/10/03		PRODUCT CUSTOMER DRAWING DOCUMENT NUMBER: 1300060192 DOC TYPE: PSD DOC PART: 000 REVISION: A	
INITIAL REVISION: DRWN: RSTONE 2019/09/10 APPR: BWOODMAN 2019/10/03		THIRD ANGLE PROJECTION DRAWING: C-SIZE SERIES: 130006		MATERIAL NUMBER: SEE P/N CHART CUSTOMER: ---- SHEET NUMBER: 1 OF 1	

FRONT VIEW - MALE ASSEMBLY

1. WHITE 2. BLACK	1. GREEN/YELLOW 2. BLACK 3. WHITE	1. BLACK 2. WHITE 3. RED 4. GREEN/YELLOW	1. WHITE 2. RED 3. GREEN/YELLOW 4. ORANGE 5. BLACK	1. WHITE 2. RED 3. GREEN/YELLOW 4. ORANGE 5. BLACK 6. BLUE



Section Z-Z

ENTER DESCRIPTION EC NO: WNA2010-0429 DRWN: BWOODMAN 2010/01/12 CHKD: 2010/01/14 APPR: JFMURPHY 2010/01/14	QUALITY SYMBOLS ▽=0 ▽=0	GENERAL TOLERANCES (UNLESS SPECIFIED)		DIMENSION STYLE IN/MM		SCALE 1.5:1	DESIGN UNITS INCH	THIRD ANGLE PROJECTION		
		4 PLACES	±	---	±	---	DRAWN BY NKUMAR01		DATE 01/11/2010	
		3 PLACES	±	---	±	---	CHECKED BY BWOODMAN		DATE 01/11/2010	
		2 PLACES	±	---	±	---	APPROVED BY JFMURPHY		DATE 2010/01/14	
1 PLACE	±	---	±	---	MATERIAL NO. 9999999999		DOCUMENT NO. SD-130006-035		SHEET NO. 1 OF 2	
DRAFT WHERE APPLICABLE MUST REMAIN WITHIN DIMENSIONS		ANGULAR ±1/2°		THIS DRAWING CONTAINS INFORMATION THAT IS PROPRIETARY TO MOLEX INCORPORATED AND SHOULD NOT BE USED WITHOUT WRITTEN PERMISSION						

MINI A SIZE 90° MALE ASSEMBLY

2 POLE	3 POLE	4 POLE	5 POLE	6 POLE
--------	--------	--------	--------	--------

Sl. No.	DESCRIPTION	MATERIAL	FINISH	QUANTITY				
1	COUPLING NUT	ZINC DIECAST	BLACK E-COATED	1	1	1	1	1
2	FRICTION RING	NYLON	NATURAL	1	1	1	1	1
3	2P MALE INSERT PVC A SIZE	PVC	YELLOW	1				
	3P MALE INSERT PVC A SIZE	PVC	YELLOW		1			
	4P MALE INSERT PVC A SIZE	PVC	YELLOW			1		
	5P MALE INSERT PVC A SIZE	PVC	YELLOW				1	
	6P MALE INSERT PVC A SIZE	PVC	YELLOW					1
4	#16 AWG YELLOW STOOW/ST CORD	PVC JACKET	YELLOW	2	3	4	5	6
5	LABEL.WRAP AROUND LABEL-2 x 3	PLASTIC FILM	BLACK/YELLOW	1	1	1	1	1
6	PIN CONTACT	COPPER ALLOY	GOLD PLATED	1	1	1	1	1

POLE COUNT	MAX. VOLTAGE RATING	MAX. CURRENT RATING	CABLE DIAMETER
2 POLE	600 VOLTS	13 AMPS	.37" /9.4mm
3 POLE	600 VOLTS	13 AMPS	.41" /10.4mm
4 POLE	600 VOLTS	10 AMPS	.42" /10.7mm
5 POLE	600 VOLTS	8 AMPS	.50" /12.7mm
6 POLE	600 VOLTS	8 AMPS	.54" /13.7mm

PART NUMBER	DESCRIPTION	FINISHED LENGTH
1300060192	102003A01F030	3' +1.75" -0 [.9M + 44.5 -0]
1300060194	102003A01F060	6' +2.19" -0 [1.8M + 55.6 -0]
1300060196	102003A01F120	12' +3.50" -0 [3.7M +88.9 -0]
1300060200	102003A01F200	20' +6.50" -0 [6.1M +165.1 -0]
1300060643	103003A01F030	3' +1.75" -0 [.9M + 44.5 -0]
1300060647	103003A01F060	6' +2.19" -0 [1.8M + 55.6 -0]
1300060651	103003A01F120	12' +3.50" -0 [3.7M +88.9 -0]
1300060657	103003A01F200	20' +6.50" -0 [6.1M +165.1 -0]
1300061084	104003A01F030	3' +1.75" -0 [.9M + 44.5 -0]
1300061087	104003A01F060	6' +2.19" -0 [1.8M + 55.6 -0]
1300061090	104003A01F120	12' +3.50" -0 [3.7M +88.9 -0]
1300061095	104003A01F200	20' +6.50" -0 [6.1M +165.1 -0]
1300061516	105003A01F030	3' +1.75" -0 [.9M + 44.5 -0]
1300061518	105003A01F060	6' +2.19" -0 [1.8M + 55.6 -0]
1300061521	105003A01F120	12' +3.50" -0 [3.7M +88.9 -0]
1300061524	105003A01F200	20' +6.50" -0 [6.1M +165.1 -0]
1300061700	106003A01F030	3' +1.75" -0 [.9M + 44.5 -0]
1300061703	106003A01F060	6' +2.19" -0 [1.8M + 55.6 -0]
1300061706	106003A01F120	12' +3.50" -0 [3.7M +88.9 -0]
1300061713	106003A01F200	20' +6.50" -0 [6.1M +165.1 -0]

ENTER DESCRIPTION EC NO: MNA2010-0429 DRWN:WOODMAN 2010/01/12 CHKD: 2010/01/14 APPR:JFMURPHY 2010/01/14 1	QUALITY SYMBOLS 	GENERAL TOLERANCES (UNLESS SPECIFIED)		DIMENSION STYLE IN/MM		SCALE 3:1	DESIGN UNITS INCH	THIRD ANGLE PROJECTION	
		4 PLACES ± --- ± ---	3 PLACES ± --- ± ---	2 PLACES ± --- ± ---	1 PLACE ± --- ± ---	DRAWN BY NKUMAR01	DATE 01/11/2010		TITLE MC 6P MP 90D 16/4 STOOW
		ANGULAR ±1/2°				CHECKED BY BWOODMAN	DATE 01/11/2010		
		DRAFT WHERE APPLICABLE MUST REMAIN WITHIN DIMENSIONS				APPROVED BY JFMURPHY	DATE 2010/01/14		
		MATERIAL NO. 9999999999				DOCUMENT NO. SD-130006-035			
THIS DRAWING CONTAINS INFORMATION THAT IS PROPRIETARY TO MOLEX INCORPORATED AND SHOULD NOT BE USED WITHOUT WRITTEN PERMISSION									