

# AR12106CHSST



Sample image

**Order symbol:** AR12106CHSST

**Product nbr:** 8561054

**Description:** PC Enclosure

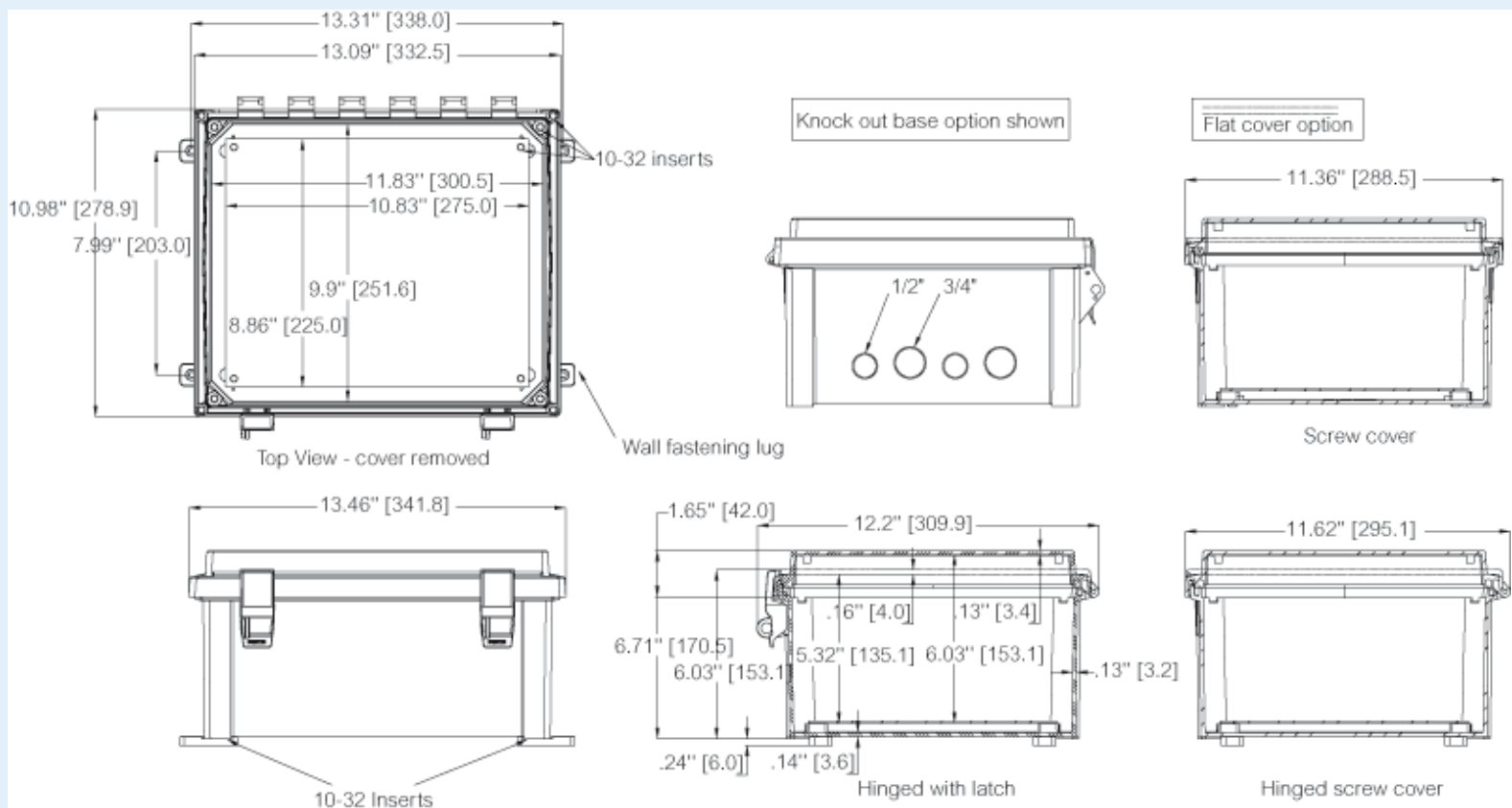
**Remarks:** Hinged transparent cover w/S.S. Quick release latch

**EAN:** 6418074067135

**El. number:**

- Finland:
- Denmark:
- Sweden:

**Including:** Hinged cover. Base with 10-32 brass inserts, latched cover with formed in place PUR gasket, stainless hinge pin. Quick release latches. Enclosure mounting foot kit. Accessory 10-32 screws for panel mounting.



| Dimensions: | Height | Width | Depth |
|-------------|--------|-------|-------|
| mm:         | 305    | 254   | 152   |

| Accessories: |                           |
|--------------|---------------------------|
| ASPHK12      | Swing Panel Kit w/o Panel |

|       |    |    |   |
|-------|----|----|---|
| inch: | 12 | 10 | 6 |
|-------|----|----|---|

**Materials:**

|                  |                      |
|------------------|----------------------|
| Material:        | Polycarbonate        |
| Base colour:     | RAL 7035 -light grey |
| Cover colour:    | Transparent          |
| Gasket material: | Polyurethane         |

**Temperatures:**

|                               |             |
|-------------------------------|-------------|
| Temperature °C (short term):: | -40 ... 140 |
| Temperature °C (continuous):  | -40 ... 80  |
| Temperature °F (short term):  | -40 ... 250 |
| Temperature °F (continuous):  | -40 ... 175 |

|          |   |
|----------|---|
| ALBP1210 | Aluminum Back Panel<br>(274 x 226)                |
| ASP1210  | Aluminum Swing Panel<br>(254.5 x 305.7 x 0)       |
| ASPK1210 | Swing Panel Kit incl. Panel                       |
| ADFP1210 | Dead Front Panel w/ screws<br>(257.5 x 307.5 x 0) |
| APBP1210 | PVC Back Panel<br>(274 x 226)                     |
| AMFL10   | 10" Mounting Flange Set                           |
| ABP1210  | Painted Steel Back Panel<br>(274 x 226)           |

**Rating:**

|   |                                      |
|---|--------------------------------------|
| Ingress protection (EN 60529):            | IP66; IP67;                          |
| Impact Resistance (EN 62262):             | IK09;                                |
| Electrical insulation:                    | Not insulated                        |
| Halogen free (DIN/VDE 0472,<br>Part 815): | 1                                    |
| UV resistance:                            | UL 508                               |
| Flammability Rating:                      | UL 508                               |
| Glow Wire Test (IEC 695-2-1)<br>°C:       | 960 °C                               |
| NEMA Class                                | NEMA 4, 4X, 6, 6P, 12, 12K<br>and 13 |

**Certificates:**

ARCA\_CertificateofCompliance