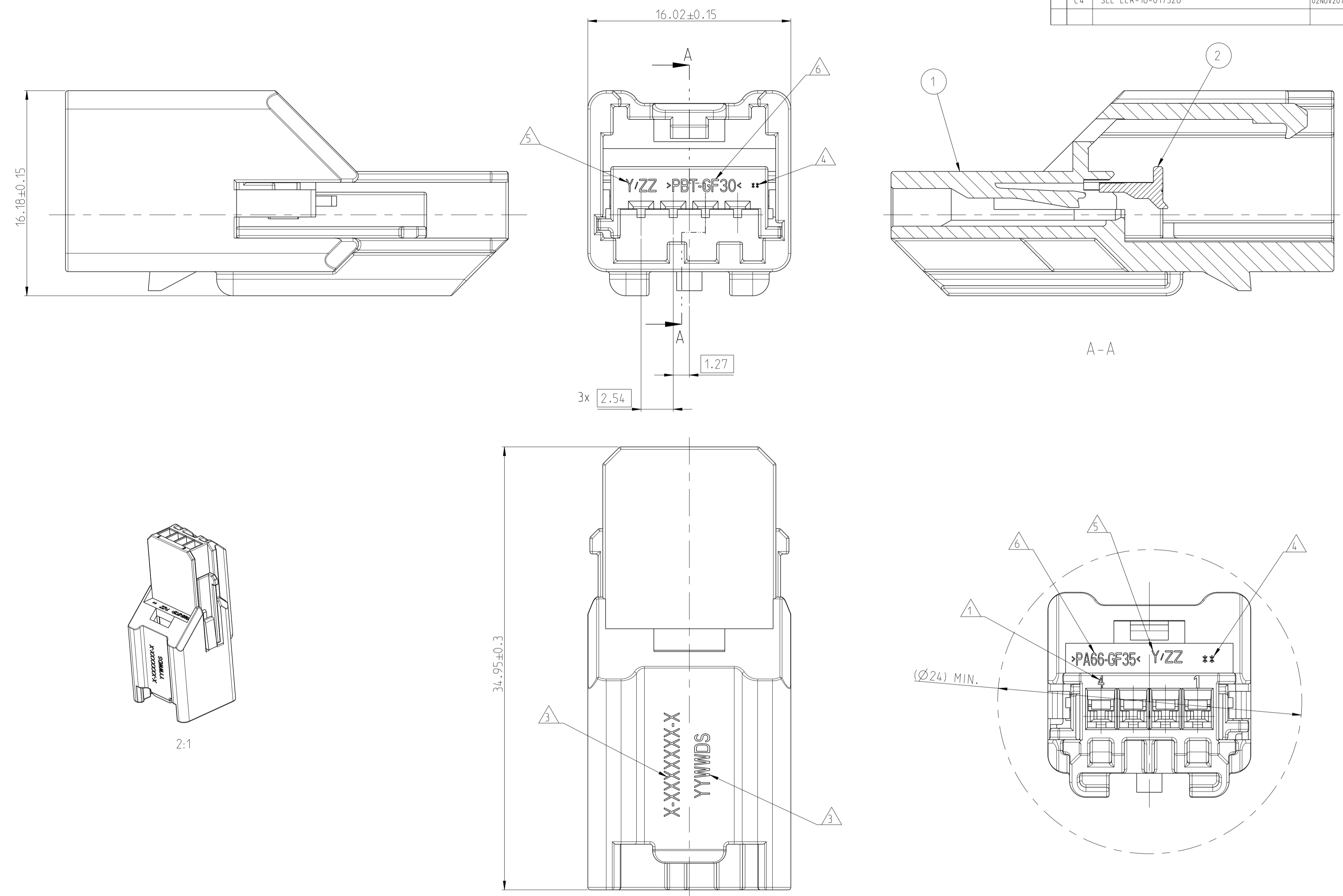
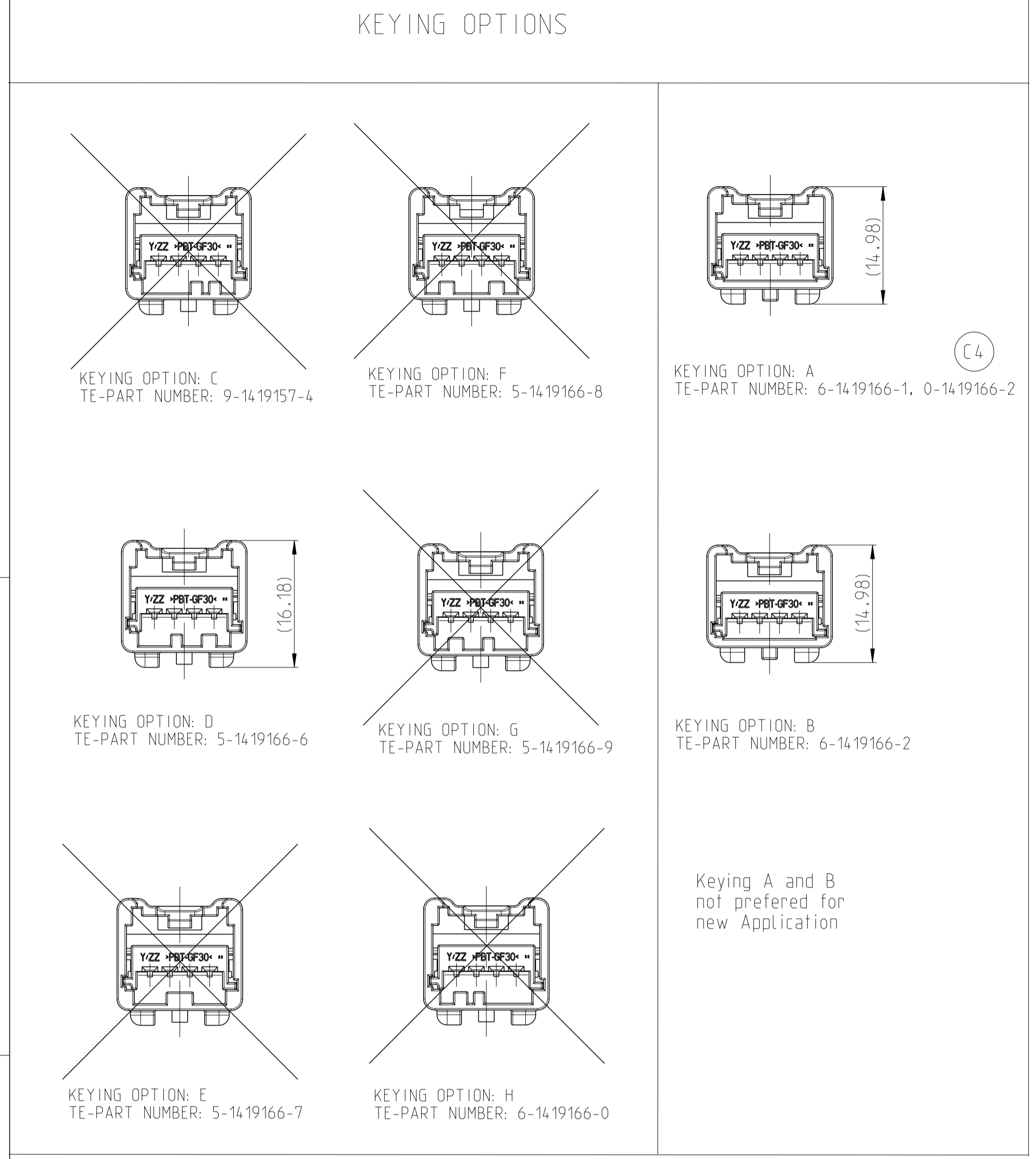
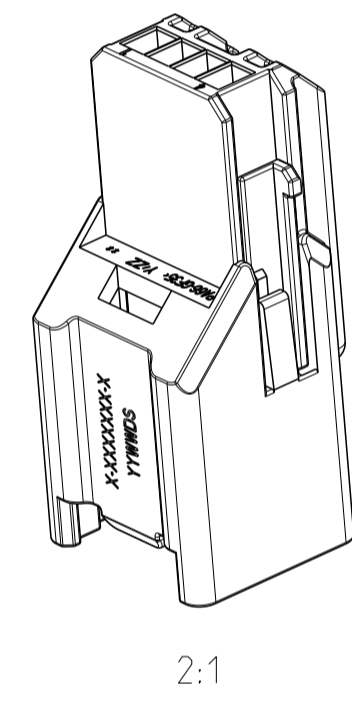


REVISIONS				
P	LTM	DESCRIPTION	DATE	APVD
C2		SEE ECR-09-005805	24APR2009	HM GS
C3		SEE ECR-09-025352	18NOV2009	HM GS
C4		SEE ECR-18-017326	02NOV2018	KC PT



- NOTE:
- 1 TERMINAL POSITION NUMBERS LOCATED AS SHOWN
 - 2 DELIVERY CONDITION: SPACER IN PRE-ASSEMBLED POSITION
 - 3 TE-PART NUMBER AND DATE CODE
 - 4 PRODUCT REVISION LEVEL OPTIONAL
 - 5 TOOL NUMBER AND CAVITY NUMBER OPTIONAL
 - 6 MATERIAL IDENTIFICATION
 - 7 PACKING: CONNECTOR ASSEMBLIES BULK PACKED IN CARD BOX
 - 8 KODING D SHOWN



		KEYING OPTIONS													
		A	A	B	C	D	E	F	G	H					
REV	C	C	C	C	-	B	-	-	-	-					
TE-PN	0-1419166-2	6-1419166-1	6-1419166-2	9-1419157-4	5-1419166-6	5-1419166-7	5-1419166-8	5-1419166-9	6-1419166-0						
	1	1	1	1	1	1	1	1	1	2	SPACER	PBT-GF30	RED		
	-	-	-	-	-	-	-	-	1	1	MALE HOUSING	PA66-GF35	BLACK		
	-	-	-	-	-	-	-	1	-	1	MALE HOUSING	PA66-GF35	BLACK		
	-	-	-	-	-	-	1	-	-	1	MALE HOUSING	PA66-GF35	BLACK		
	-	-	-	-	1	-	-	-	-	1	MALE HOUSING	PA66-GF35	BLACK		
	-	-	-	1	-	-	-	-	-	1	MALE HOUSING	PA66-GF35	BLACK		
	-	1	-	-	-	-	-	-	-	1	MALE HOUSING	PA66-GF35	BLACK		
	1	-	-	-	-	-	-	-	-	1	MALE HOUSING	PA66-GF35	GREY		
											QUANTITY	ITEM	DESCRIPTION	MATERIAL	COLOR

WORST CASE FEED THRU CONDITION

THIS DRAWING IS A CONTROLLED DOCUMENT.

DIMENSIONS: mm	TOLERANCES UNLESS OTHERWISE SPECIFIED:	DWN: MALINAK 09MAY2001	CHK: G.Steinbach 10MAY2001	APVD: G.Steinbach 10MAY2001
MATERIAL: -	FINISH: -	TE Connectivity NAME: 1 x 4 POS. GET MALE CONNECTOR, UNSEALED ASSEMBLY SIZE: A1 CAGE CODE: 00779 DRAWING NO: C=9-1419157-4 RESTRICTED TO: - SCALE: 5:1 SHEET 1 OF 1 REV: C4		