

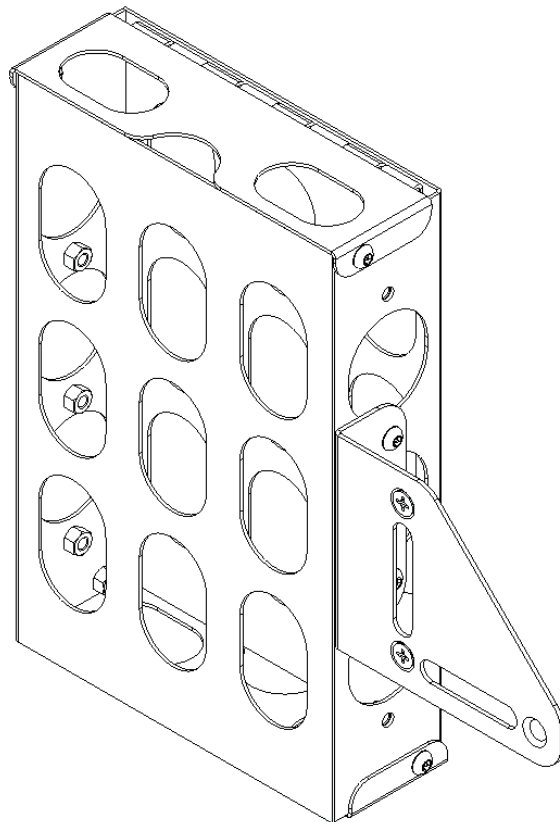
# **WMP**

VIDEO MOUNT PRODUCTS

*Instruction Sheet For:*

## **DS-CH**

---

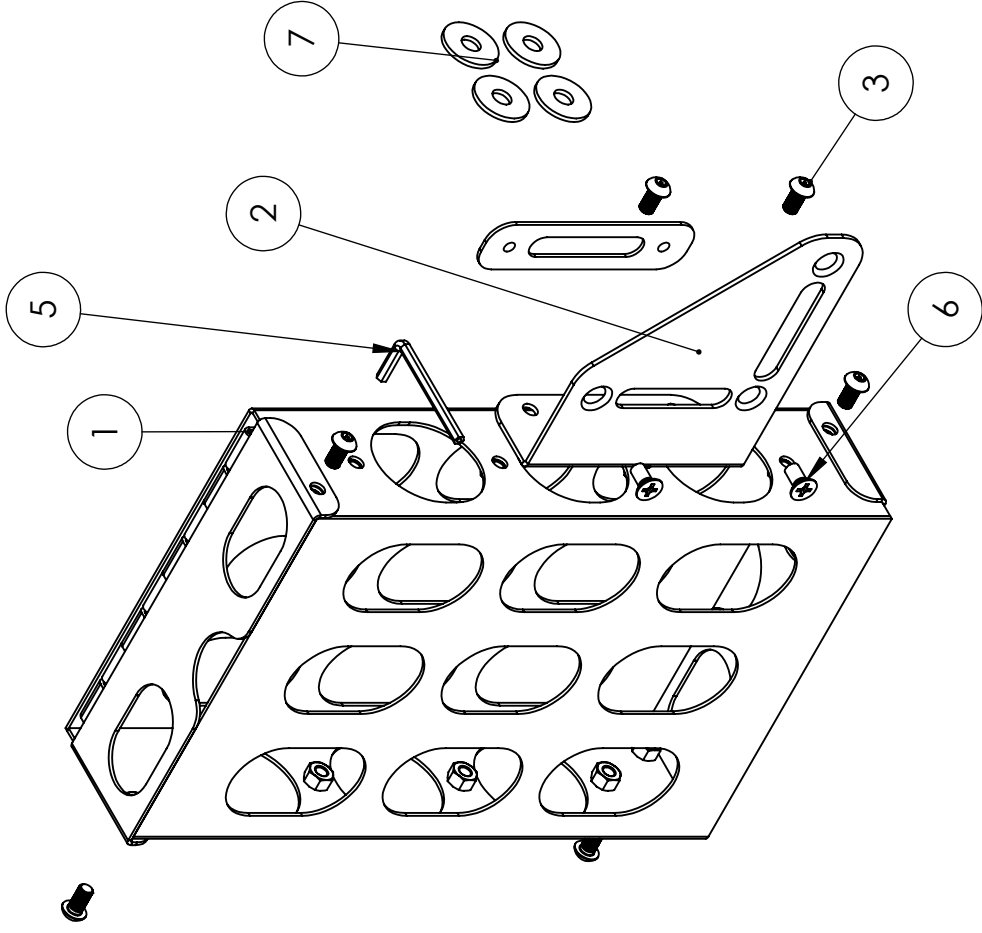


---

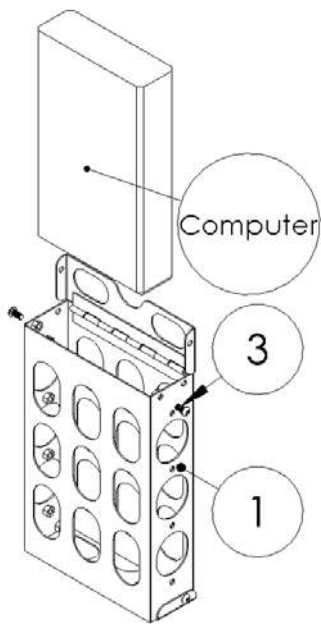
*For more information, please contact us at:*  
345 Log Canoe Circle, Stevensville, Maryland 21666  
Toll Free: 877.281.2169 Phone: 410.643.6390 Fax: 410.643.6615  
[www.videomount.com](http://www.videomount.com)

# DS-CH

ITEM NO.	DESCRIPTION	QTY.
1	Security Box	1
2	Connector Flap	1
3	Security Screw M6*P1.0*L12	6
4	Security Strip	1
5	Security Allen Key	1
6	Flat Head Screw M6*P1.0*L12	2
7	Washer $\phi 8.5 * \phi 25 * T2.0$	4



**VMP**  
VIDEO MOUNT PRODUCTS



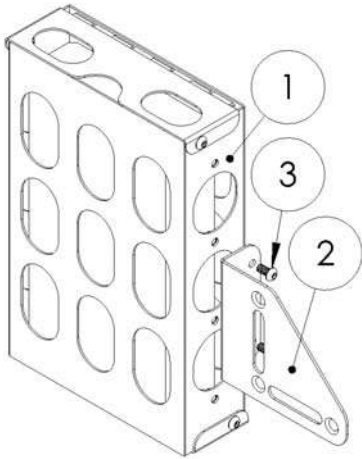
### Step 1

Before starting, lay out all parts to your mount and match them to the parts list provided. Verify that you have all your parts before attempting to assemble the mount. *Note: In the instruction sheet the FP-LDSB is used as an example of a mount which the DS-CH can attach to. Other mounts maybe used as desired.*

### Step 2

Insert the digital signage computer into the DS-CH by first removing the security screws (3) from one of the security box's (1) lids. Insert the computer and run the cables out through the semicircle cut into the lid as you close the security box (1). Secure the lid by rescrewing the security screws (3) into the security box's (1) lid.

Step 2: Inserting the computer



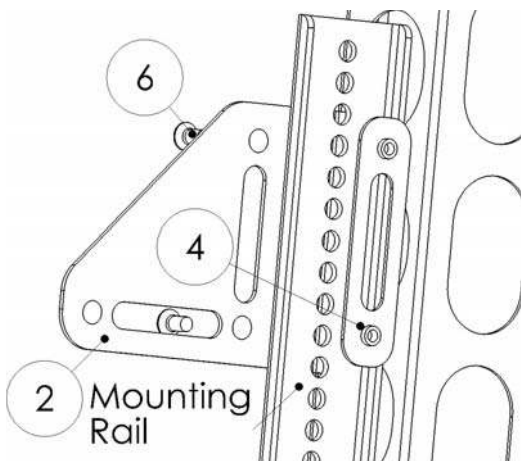
### Step 3

Attach the connector flap (2) to the security box (1) on the desired side and location using the security screws (3).

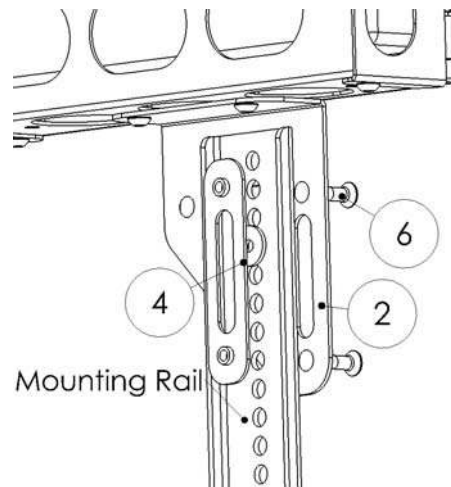
### Step 4

Attach the flap (2) to the mounting rails of the desired mount (FP-LDSB mounting rails shown in images). If the flat panel the box will be behind is going to be mounted in landscape use the two countersunk holes closest to the box on the flap (2). If the flat panel is going to be mounted in portrait use the hole furthest from the box the one in line with that one. Attach it to the mounting rail by inserting the countersink screws (6) into the appropriate countersink holes in the connector flap (2). Then on the backside of the mounting rail thread the countersink screws (6) into the security strip (4) so that the mounting rail is sandwiched between the connector flap (2) and security strip (4).

Step 3: Attaching the connector flap



Step 4A: Attaching the box to the mounting rail (flat panel in landscape)

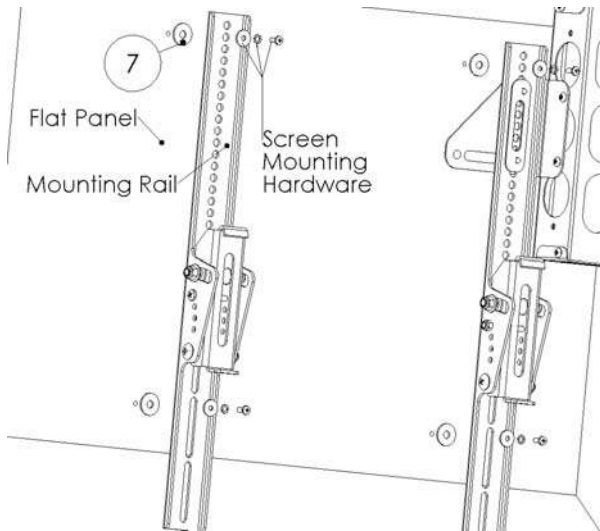


Step 4B: Attaching the box to the mounting rail (flat panel in portrait)

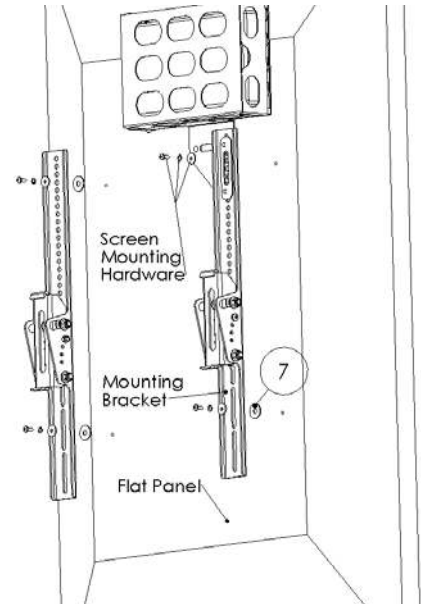
## Step 5

Proceed to follow the mounting instructions for the mount you are attaching the DSCH to until you get to the point where you are attaching the flat panel to the mounting rails. At that point the only difference between the instructions provided with the other mount and the DSCH is since the connector flap (2) will create a standoff of the thickness of the connector flap (2) you can use the washers (7) as spacers so the flat panel will still have an even surface to mount on.

*Please verify that all nuts and screws are securely tightened.*



*Step 5a: Attaching the mounting rail to the flat panel  
(flat panel in landscape)*



*Step 5b: Attaching the mounting rail to the flat panel  
(flat panel in portrait)*

***VMP***  
VIDEO MOUNT PRODUCTS

*Enjoy Your Mount!*

**WARNING:** The installer of these products must verify that the mount surface, ceiling or wall, will safely support the combined weight of all attached equipment and hardware. Video Mount Products will not be held liable for the improper use or installation of its products.