

### 0.5 Nm ovoid 1.4 and 3.2 Watts 1.4 W Part number made to order



- Gearbox 0.5 Nm
- Motor power max. 3.2 W
- Class A EMC interference suppression (radiated)
- Compatible with 6 V, 9 V or 12 V battery power supply
- Optional class B interference suppression
- Optional 1, 5, 12 or 48 pulses/rev encoder

#### Part numbers

|          | Type  | Type   | Voltage | Output speed (rpm) | Ratios (i) |
|----------|-------|--------|---------|--------------------|------------|
| 82714005 | 1.4 W | 827140 | 12 V    | 63                 | 225/4      |

#### Specifications

##### General characteristics

|  |          |
|--|----------|
| Motor  | 82710001 |
| Gearbox  | 810210   |
| Maximum permitted torque from gearmotor under continuous conditions for 1 million turns (Nm) | 0,5      |
| Axial load static (daN)  | 1        |
| Radial load static (daN)   | 8        |
| Max. output power (W)  | 1,4      |
| Nominal output (W)   | 1        |
| Gearbox case temperature rise (°C)   | 40       |
| Weight (g)   | 120      |

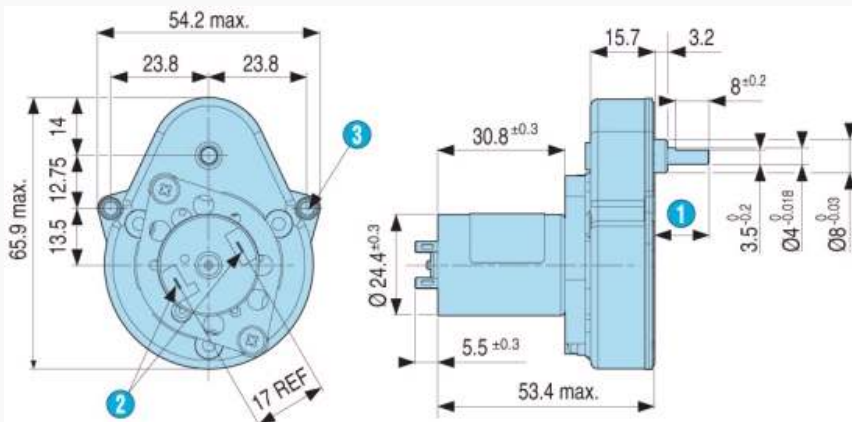
#### Made to order products, available on request

For more than 1000 pieces

- 48 pulses/rev encoder
- Class B filter
- Case N°2 (for other fixing points see diagram)
- Gearbox shaft
- Bearings for heavy radial loads
- Connections
- Reinforced gears
- For other types please consult Crouzet

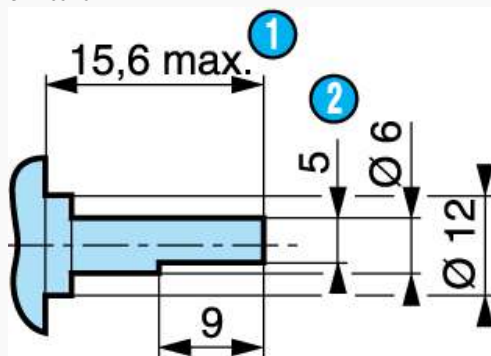
#### Dimensions (mm)

827140



| N° | Legend                       |
|----|------------------------------|
| ①  | 13.2 mm max. shaft pushed-in |
| ②  | 2 solder tags 2.8 x 0.5 mm   |
| ③  | 2 fixing holes Ø 3.2 mm      |

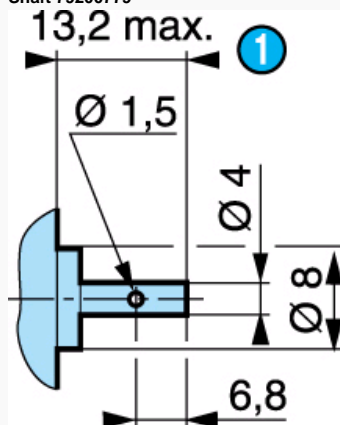
## Dimensions (mm)

Shaft 70999421  
SP1295.10

| N° | Legend          |
|----|-----------------|
| ①  | Shaft pushed-in |
| ②  | 5 across flats  |

## Dimensions (mm)

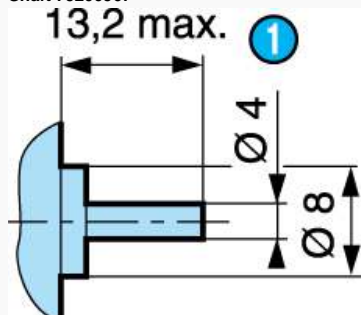
Shaft 79200779



| N° | Legend          |
|----|-----------------|
| ①  | Shaft pushed-in |

## Dimensions (mm)

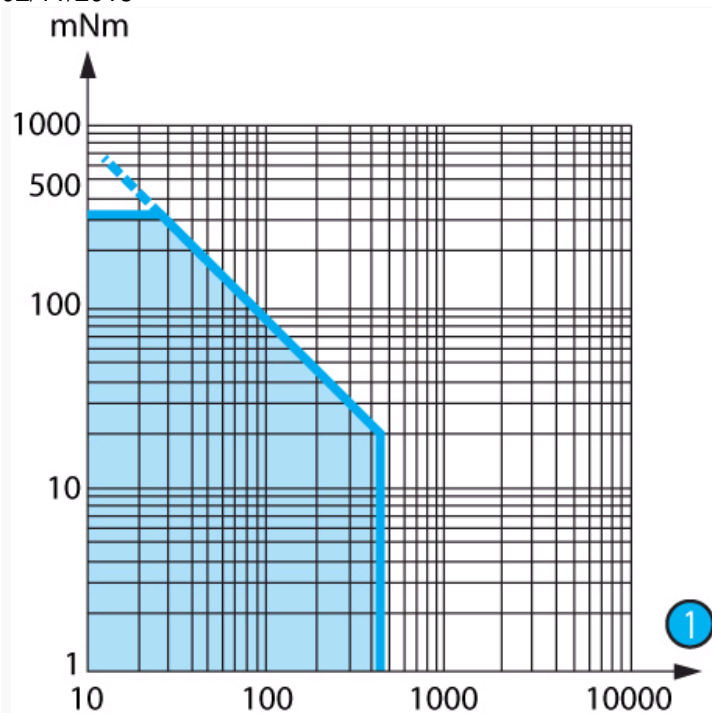
Shaft 79200967



| N° | Legend          |
|----|-----------------|
| ①  | Shaft pushed-in |

## Curves

Curve : torque/nominal speed 827140



| N° | Legend |
|----|--------|
| 1  | rpm    |

#### Product adaptations



- Special supply voltage
- Lead output
- Special connectors
- Special shaft
- Special reduction ratio
- Special materials for gears
- Special ball bearings
- Special adaptor plate
- Class B EMC filter
- Friction
- Y system
- Greasing at low temperature
- Different number of pulses