



FCconnect.com

Copyright FCJ

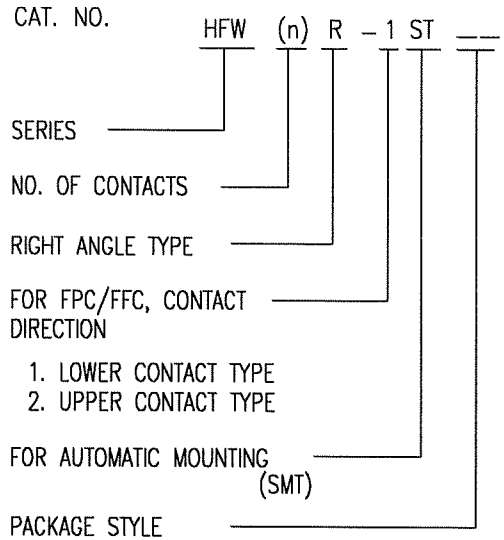
List of "HFW__R-1/2STE1" customer document

DOCUMENT NO.	LIST
SC-HFWR01	SPEC.
JSA93575	CAT.NO.TABLE FOR 1mm SPACING SMT CONNECTOR (HFW__R-1/2ST_)
JSA93571	1mm SPACING SURFACE MOUNT FPC/FFC CONNECCTOR (HFW__R-1ST_)
JSA93572	1mm SPACING SURFACE MOUNT FPC/FFC CONNECCTOR (HFW__R-2ST_)
JSA93589	CAT.NO.TABLE FOR PLASTIC TAPE PACKAGED 1mm SPACING SMT CONN.(HFW__R-1/2STE1)
JSA93577	1mm SPACING SMT CONNECTOR (HFW__R-1STE1)
JSA93578	1mm SPACING SMT CONNECTOR (HFW__R-2STE1)
JSA93573	RECOMMENDED CABLE (FPC) (HFW__R-1/2_)
JSA93574	RECOMMENDED CABLE (FFC) (HFW__R-1/2_)

mat'l. code		surface <input checked="" type="checkbox"/> 5B / <input checked="" type="checkbox"/> ISO 1302		tolerance <input checked="" type="checkbox"/> ISO 406 / <input checked="" type="checkbox"/> ISO 1101		projection		product family 58NF		CODE JP	
ltr	ecn no	dr	date	tolerances unless otherwise specified				title			
A	J06-0413	H.T	10/4/064	angles	linear	mm		1mm SPACING FPC/FFC CONNECTOR DOCUMENT LIST (Cat. No. : HFW__R-1/2STE1)			
				dr	engr	chr	appd	dwg no JSA 97191		sheet 1 of 1 size A4	
								type Product Customer Drawing			
sheet index	revision sheet	A	1								Rev. A

CAT. NO. & DIMENSIONS

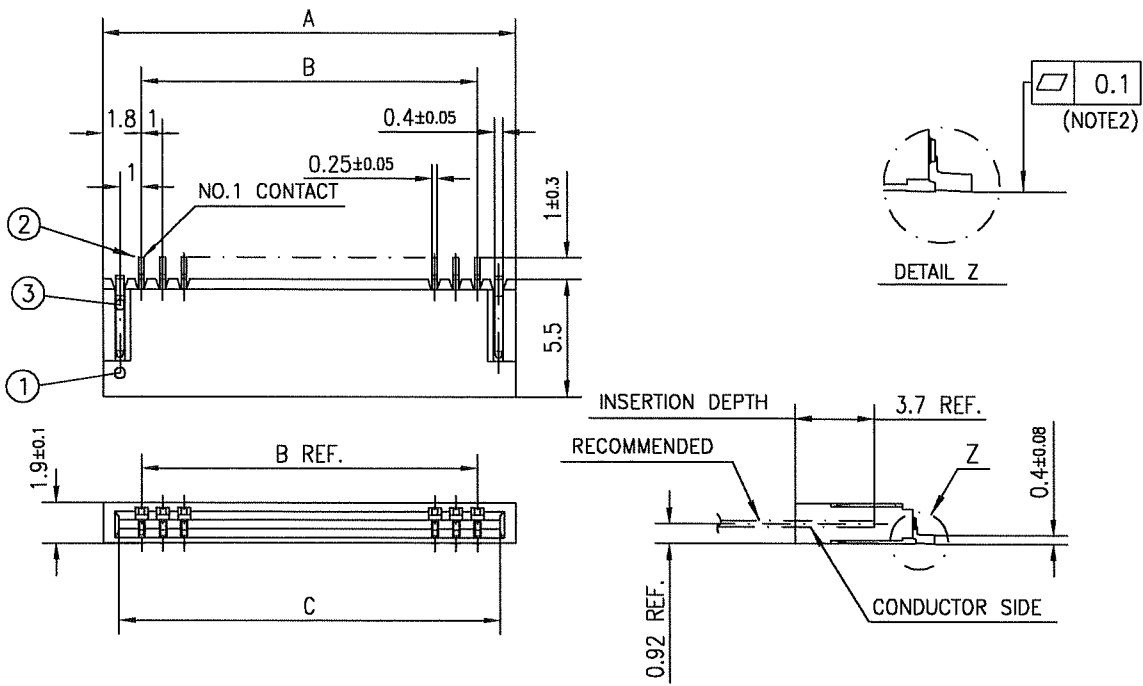
(NOTE3)	NO. OF CONTACTS (n)	CAT. NO.	DIMENSIONS (NOTE2)		
			A ± 0.2	B ± 0.2	C ± 0.1
	4	HFW4R-1/2ST__	6.6	3	5.14
	5	HFW5R-1/2ST__	7.6	4	6.14
	6	HFW6R-1/2ST__	8.6	5	7.14
	7	HFW7R-1/2ST__	9.6	6	8.14
	8	HFW8R-1/2ST__	10.6	7	9.14
	9	HFW9R-1/2ST__	11.6	8	10.14
	10	HFW10R-1/2ST__	12.6	9	11.14
	11	HFW11R-1/2ST__	13.6	10	12.14
	12	HFW12R-1/2ST__	14.6	11	13.14
	13	HFW13R-1/2ST__	15.6	12	14.14
	14	HFW14R-1/2ST__	16.6	13	15.14
	15	HFW15R-1/2ST__	17.6	14	16.14
	16	HFW16R-1/2ST__	18.6	15	17.14
	17	HFW17R-1/2ST__	19.6	16	18.14
	18	HFW18R-1/2ST__	20.6	17	19.14
	19	HFW19R-1/2ST__	21.6	18	20.14
	20	HFW20R-1/2ST__	22.6	19	21.14
	21	HFW21R-1/2ST__	23.6	20	22.14
	22	HFW22R-1/2ST__	24.6	21	23.14
	23	HFW23R-1/2ST__	25.6	22	24.14
	24	HFW24R-1/2ST__	26.6	23	25.14
	25	HFW25R-1/2ST__	27.6	24	26.14
	26	HFW26R-1/2ST__	28.6	25	27.14
	27	HFW27R-1/2ST__	29.6	26	28.14
*	28	HFW28R-1/2ST__	30.6	27	29.14
*	29	HFW29R-1/2ST__	31.6	28	30.14
	30	HFW30R-1/2ST__	32.6	29	31.14



NOTES

1. THIS PRODUCT IS THE CONNECTOR DESIGNED TO TERMINATE FPC/FFC AND COPES WITH AUTOMATIC MOUNTING (SMT).
2. SEE PART DRAWINGS FOR DIMENSIONS A~C.
3. PLEASE CONSULT US IN CASE OF USING PARTS WITH * MARK.

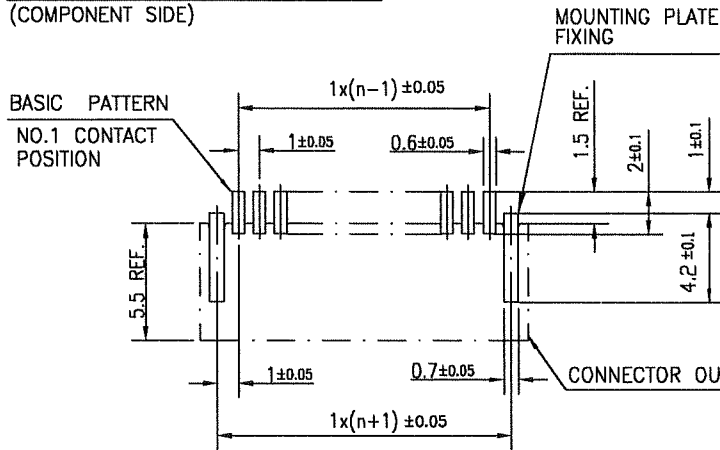
mat'l. code				surface 58 / tolerance ISO 1302 ✓ / ISO 406 / ISO 1101		projection		product family 58NF		CODE JP	
ltr	ecn no	dr	date	tolerances unless otherwise specified		mm		title CAT. NO. TABLE FOR 1mm SPACING SMT CONNECTOR (Cat. No. HFW__R-1/2ST__)			
4		M.Y	7/15/97	angles	linear	scale X		dwg no sheet 1 of 1 size			
5		M.I	4/10/98					JSA 93575 A4			
6		T.M	4/30/02			type Product Customer Drawing					
A	J06-0413	H.T	10/4/06	dr	<i>H. Hoshino</i>	10/4/06					
				enr	<i>H. Hoshino</i>	10/4/06					
				chr	<i>J.P. No</i>	10/12/06					
				app	<i>S. Davidson</i>	10/12/06					
sheet index	revision	A									Rev. A
	sheet	1									



PT. NO.	PARTS NAME	MATERIAL	Q'TY	NOTE
1	HOUSING	PA6T RESIN GLASS REINFORCED (UL94V-D)	1	COLOR:BLACK
2	CONTACT	PHOSPHOR BRONZE	n	PLATING:TIN ALLOY
3	MOUNTING PLATE		2	

n : NO. OF CONTACTS

RECOMMENDED PC BOARD LAYOUT
(COMPONENT SIDE)

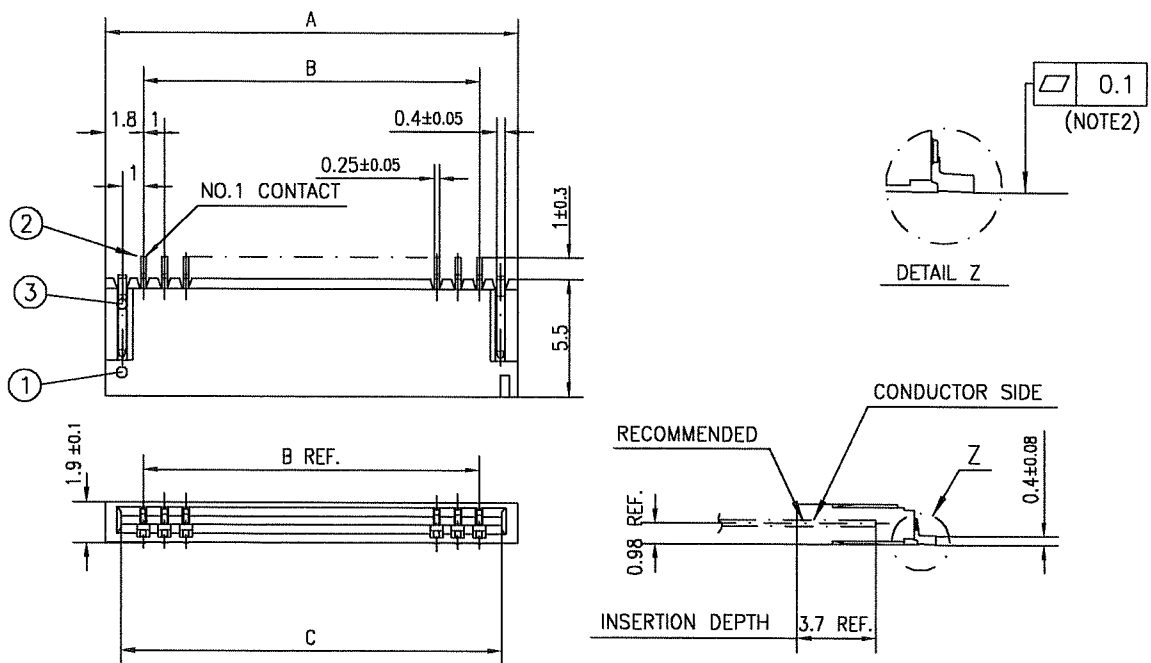


NOTES

1. THIS PRODUCT IS THE CONNECTOR DESIGNED TO TERMINATE FPC/FFC AND COPES WITH AUTOMATIC MOUNTING (SMT).
2. FLATNESS OF CONTACT TERMINAL FOR HOUSING MUST BE WITHIN TOLERANCE IN Z PORTION DETAILED DRAWING.
3. THIS PRODUCT IS LOWER CONTACT TYPE CONNECTOR.

mat'l. code		surface 5B / tolerance ISO 1302 ✓ / ISO 406 / ISO 1101		projection		product family 58NF		CODE JP			
ltr	ecn no	dr	date	tolerances unless otherwise specified		title		1mm SPACING SURFACE MOUNT FPC/FFC CONNECTOR (Cat. No. HFW__R-1ST__)			
1		M.Y	3/4/'96	angles	linear	mm	dwg no		sheet 1 of 1	size	
2		M.I	3/7/'97			scale	JSA 93571		A4		
A	J06-0413	H.T	10/4/'06			FCI		type Product Customer Drawing			
sheet index		revision A		dr		engr		chr		appd	
sheet 1				10/4/06		10/4/06		10/12/06		10/12/06	

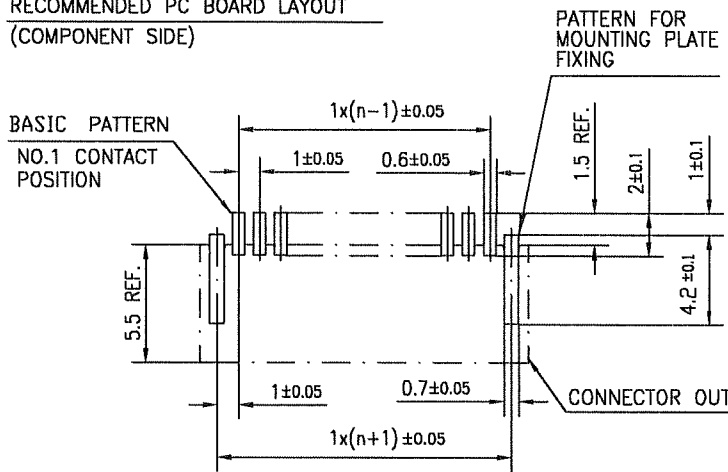
Copyright FCI. FCconnect.com



PT. NO.	PARTS NAME	MATERIAL	Q'TY	NOTE
1	HOUSING	PA6T RESIN GLASS REINFORCED (UL94V-0)	1	COLOR:BLACK
2	CONTACT	PHOSPHOR BRONZE	n	PLATING:TIN ALLOY
3	MOUNTING PLATE		2	

n : NO. OF CONTACTS

RECOMMENDED PC BOARD LAYOUT
(COMPONENT SIDE)



NOTES

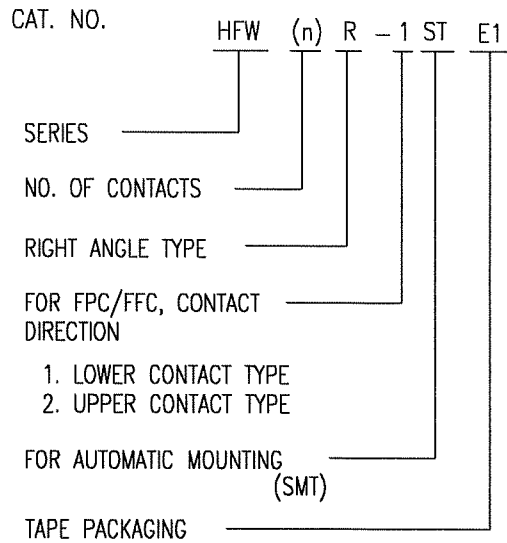
1. THIS PRODUCT IS THE CONNECTOR DESIGNED TO TERMINATE FPC/FFC AND COPES WITH AUTOMATIC MOUNTING (SMT).
2. FLATNESS OF CONTACT TERMINAL FOR HOUSING MUST BE WITHIN TOLERANCE IN Z PORTION DETAILED DRAWING.
3. THIS PRODUCT IS UPPER CONTACT TYPE CONNECTOR.

mat'l. code				surface 58 / tolerance ISO 1302 ✓ / ISO 406 / ISO 1101		projection		product family 58NF		CODE JP	
ltr	ecn no	dr	date	tolerances unless otherwise specified		mm		title			
1		M.Y	3/1/'96	±0.2		mm		1mm SPACING SURFACE MOUNT FPC/FFC CONNECTOR (Cat. No. HFWR_R-2ST_)			
2		M.I	8/23/'96	angles	linear	scale X		dwg no		sheet 1 of 1 size	
A	J06-0413	H.T	10/4/'06			FCI		JSA 93572		A4	
				dr	10/10/06			type		Product Customer Drawing	
				enr	10/10/06						
				chr	10/12/06						
				app	10/12/06						
sheet index		revision A								Rev. A	
		sheet 1									

SC-HFWR01 JSA93575 93573 93574 form: A4

CAT. NO. & DIMENSIONS

(NOTE4)	NO. OF CONTACTS (n)	CAT. NO. (NOTE2)	DIMENSIONS (NOTE3)		
			E ± 5	F ± 0.3	G ± 0.1
	4	HFW4R-1/2STE1	28.4	24	—
	5	HFW5R-1/2STE1	28.4	24	—
	6	HFW6R-1/2STE1	28.4	24	—
	7	HFW7R-1/2STE1	28.4	24	—
	8	HFW8R-1/2STE1	28.4	24	—
	9	HFW9R-1/2STE1	28.4	24	—
	10	HFW10R-1/2STE1	28.4	24	—
	11	HFW11R-1/2STE1	28.4	24	—
	12	HFW12R-1/2STE1	28.4	24	—
	13	HFW13R-1/2STE1	28.4	24	—
	14	HFW14R-1/2STE1	28.4	24	—
	15	HFW15R-1/2STE1	36.4	32	28.4
	16	HFW16R-1/2STE1	36.4	32	28.4
	17	HFW17R-1/2STE1	36.4	32	28.4
	18	HFW18R-1/2STE1	36.4	32	28.4
	19	HFW19R-1/2STE1	48.4	44	40.4
	20	HFW20R-1/2STE1	48.4	44	40.4
	21	HFW21R-1/2STE1	48.4	44	40.4
	22	HFW22R-1/2STE1	48.4	44	40.4
	23	HFW23R-1/2STE1	48.4	44	40.4
	24	HFW24R-1/2STE1	48.4	44	40.4
	25	HFW25R-1/2STE1	48.4	44	40.4
	26	HFW26R-1/2STE1	48.4	44	40.4
	27	HFW27R-1/2STE1	48.4	44	40.4
*	28	HFW28R-1/2STE1	48.4	44	40.4
*	29	HFW29R-1/2STE1	48.4	44	40.4
	30	HFW30R-1/2STE1	60.4	56	52.4

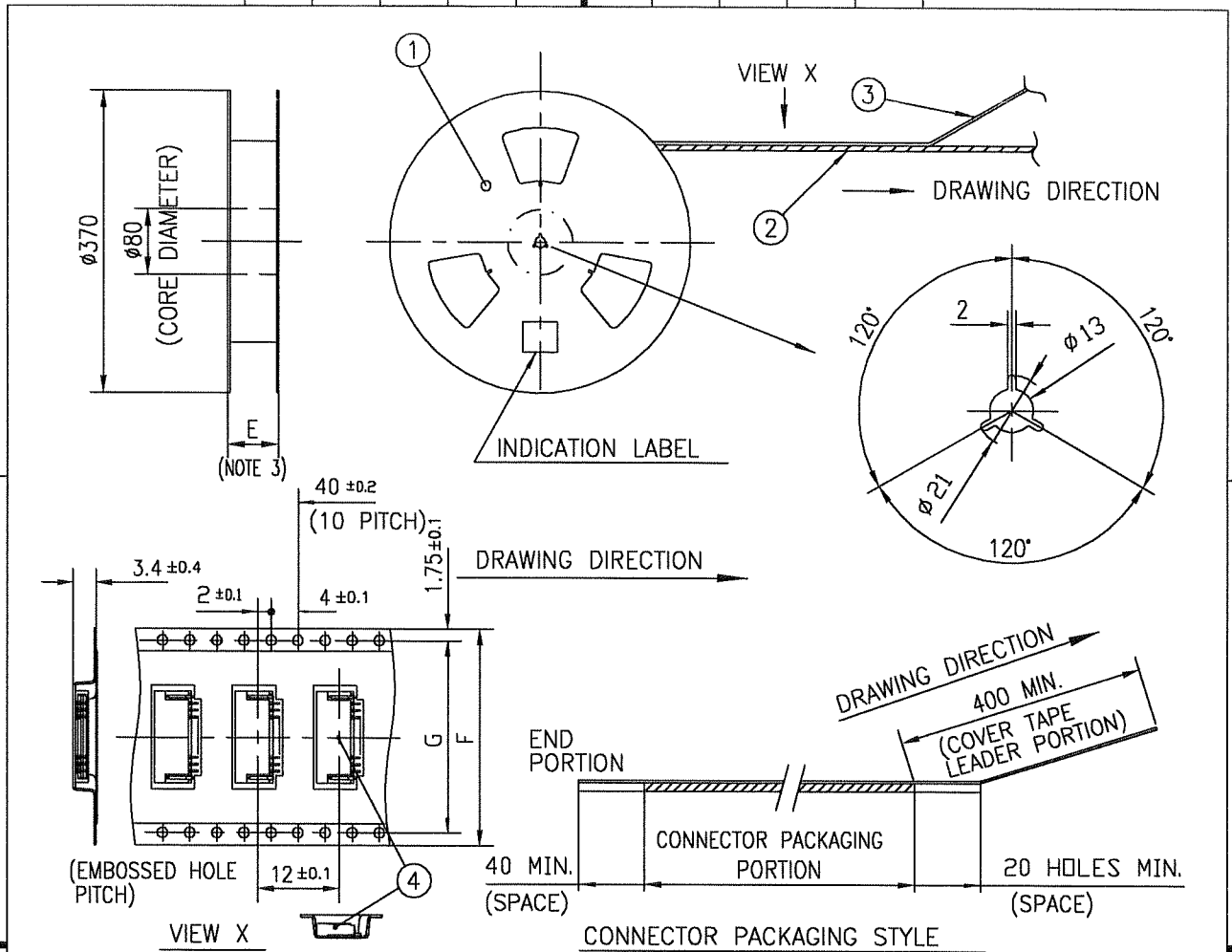


NOTES

1. THIS PRODUCT IS THE CONNECTOR DESIGNED TO TERMINATE FPC/FFC AND COPE WITH AUTOMATIC MOUNTING (SMT).
2. THIS CATALOG NO. INDICATES PLASTIC TAPE PACKAGED CONNECTOR.
3. SEE PART DRAWINGS FOR DIMENSIONS E~G.
4. PLEASE CONSULT US IN CASE OF USING PARTS WITH * MARK.

mat'l. code				surface 58 / tolerance ISO 1302 ✓ / ISO 406 / ISO 1101		projection		product family 58NF		CODE JP	
ltr	ecn no	dr	date	tolerances unless otherwise specified		mm		title			
4	—	M.Y	7/15/97	angles linear		← →		CAT. NO. TABLE FOR PLASTIC TAPE PACKAGED 1mm SPACING SMT CONN. (Cat. No. HFW__R-1/2STE1)			
5	—	M.I	4/10/98			scale X					
6	—	T.M	4/30/02								
A	J06-0413	H.T	10/4/06	dr	<i>S. Madan</i>	10/10/06		dwg no JSA 93589		sheet 1 of 1	size A4
				enrg	<i>S. Madan</i>	10/10/06		type Product Customer Drawing			
				chr	<i>S. Madan</i>	10/10/06					
				appd	<i>S. Madan</i>	10/10/06					
sheet index	revision sheet	A 1									Rev. A

SC-HFWR01 JSA93575 93577 93578 form: A4



PT. NO.	PARTS NAME	CAT. NO.	MATERIAL	Q'TY	NOTE
1	REEL	—	CARDBOARD	1	COLOR:WHITE
2	PLASTIC (EMBOSS) TAPE	—	PET	—	COLOR:TRANSPARENCY
3	COVER	—	POLYESTER	—	COLOR:TRANSPARENCY
4	CONNECTOR	HFV__R-1ST__	SEE ATTACHED DWG.	2000	LOWER CONTACT TYPE

NOTES

1. THIS IS PLASTIC TAPE PACKAGED CONNECTOR DESIGNED TO TERMINATE FPC/FFC AND COPES WITH AUTOMATIC MOUNTING (SMT).
2. SEE JIS C 0806 (PACKING OF ELECTRONIC COMPONENTS ON CONTINUOUS TAPES (SURFACE MOUNTING DEVICES)) FOR SHAPE AND DIMENSIONS OF PLASTIC (EMBOSS) TAPE AND REEL.
3. E DIMENSION IS PORTION OF THE CORE.

mat'l. code		surface 58 / tolerance ISO 1302 ✓ / ISO 406 / ISO 1101		projection		product family 58NF		CODE JP	
ltr		ecn no		dr		date		tolerances unless otherwise specified	
1		—		T.M		5/1/02		±0.5	
A		J06-0413		H.T		10/4/06		mm	
								scale X	
								title	
								1mm SPACING SMT CONNECTOR (Cat. No. HFV__R-1STE1)	
								dwg no	
								sheet 1 of 1	
								size	
								A4	
								type	
								Product Customer Drawing	
sheet index		revision sheet		A		1		Rev. A	

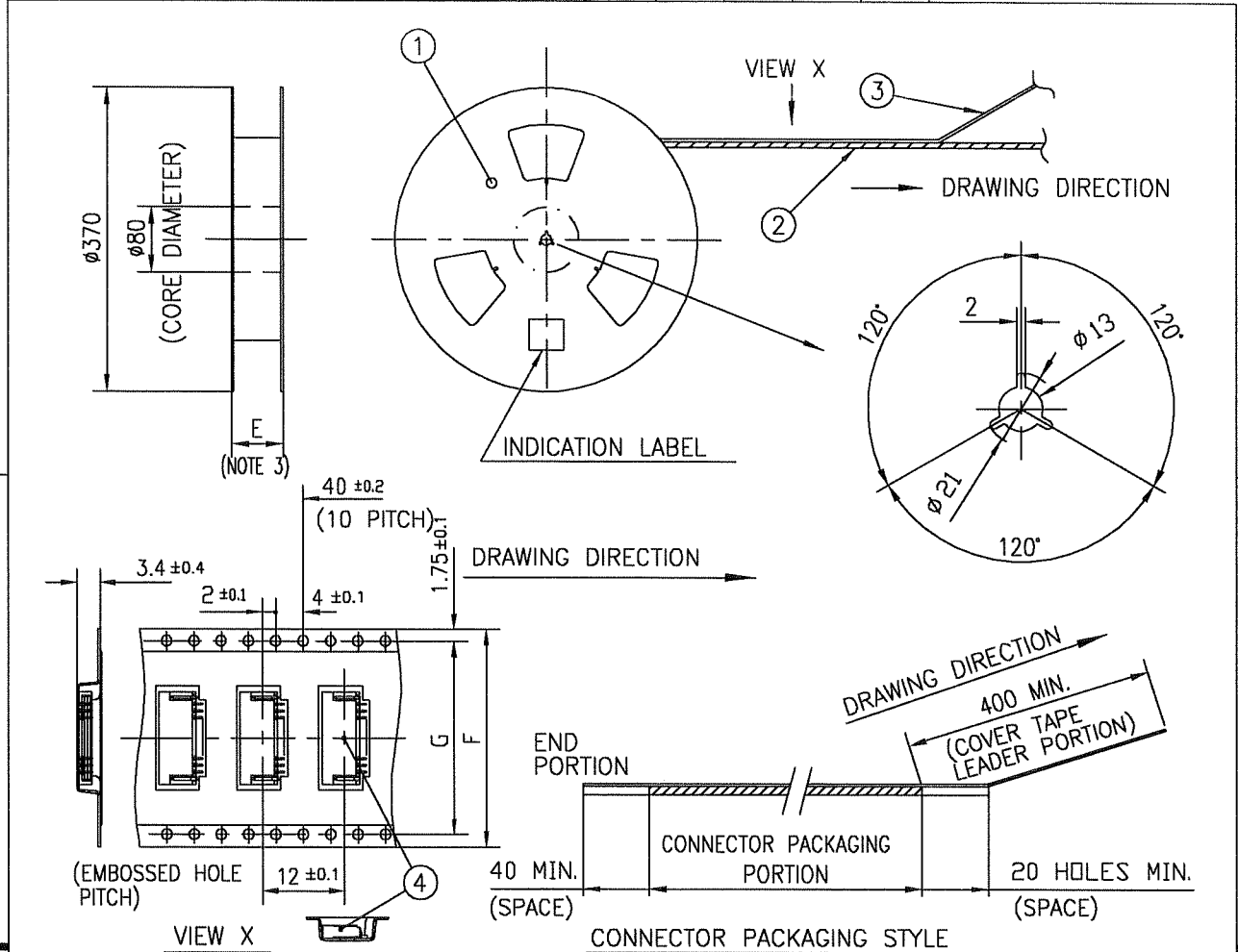
SC-HFWR01 JSA93589 form: A4



FCIconnect.com

Copyright FCI.





PT. NO.	PARTS NAME	CAT. NO.	MATERIAL	Q'TY	NOTE
1	REEL	_____	CARDBOARD	1	COLOR:WHITE
2	PLASTIC (EMBOSSED) TAPE	_____	PET	_____	COLOR:TRANSPARENCY
3	COVER	_____	POLYESTER	_____	COLOR:TRANSPARENCY
4	CONNECTOR	HFW__R-2ST__	SEE ATTACHED DWG.	2000	UPPER CONTACT TYPE

- NOTES
1. THIS IS PLASTIC TAPE PACKAGED CONNECTOR DESIGNED TO TERMINATE FPC/FFC AND COPES WITH AUTOMATIC MOUNTING (SMT).
 2. SEE JIS C 0806 (PACKING OF ELECTRONIC COMPONENTS ON CONTINUOUS TAPES (SURFACE MOUNTING DEVICES)) FOR SHAPE AND DIMENSIONS OF PLASTIC (EMBOSSED) TAPE AND REEL.
 3. E DIMENSION IS PORTION OF THE CORE.

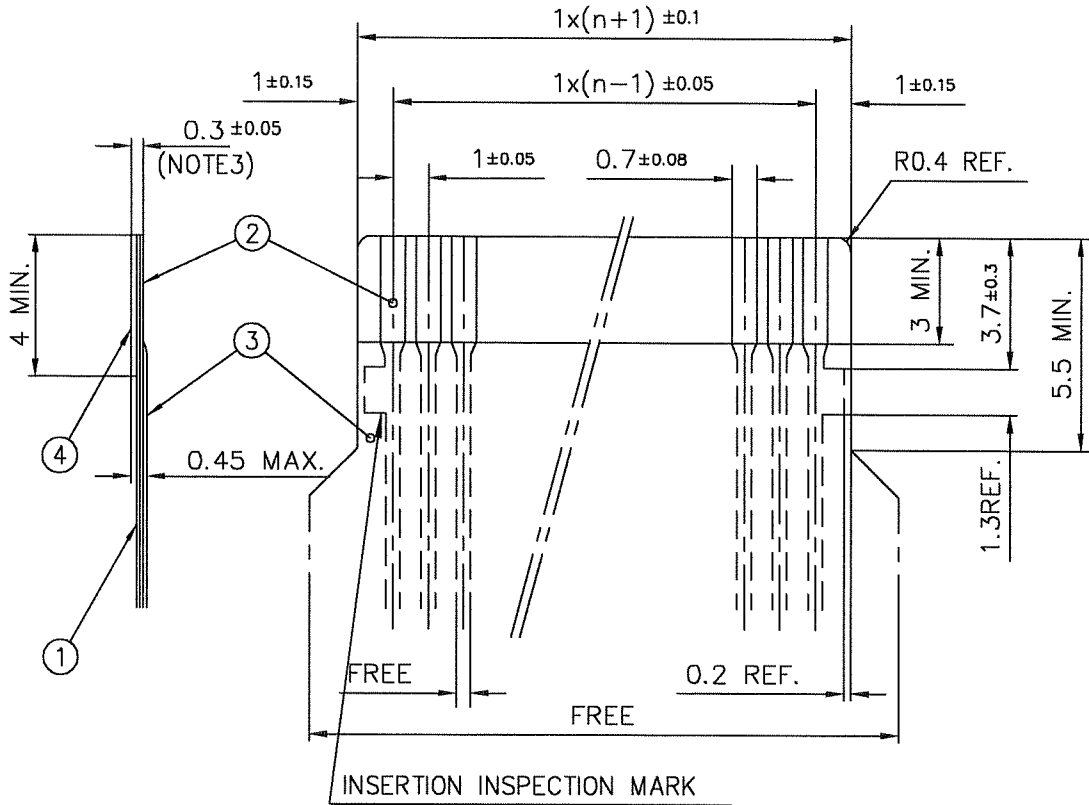
mat'l. code		surface 58 / ISO 1302 ✓		tolerance ISO 406 / ISO 1101		projection		product family 58NF		CODE JP	
ltr	ecn no	dr	date	tolerances unless otherwise specified		mm		title			
1	---	T.M	5/1/'02	angles	linear	±5		1mm SPACING SMT CONNECTOR			
A	J06-0413	H.T	10/4/'06	±5'		scale X		(Cat. No. HFW__R-2STE1)			
				dr	engr	FCJ		dwg no		sheet 1 of 1 size	
				chr	appd			JSA 93578		A4	
sheet index		revision sheet		A 1				type Product Customer Drawing		Rev. A	

SC-HFWR01 JSA93575 93589 form: A4

FCJ
 FCconnect.com
 Copyright FCJ.

RECOMMENDED CABLE (FPC)

n : NO. OF CONDUCTORS



PT. NO.	DESCRIPTION	MATERIAL	THICKNESS (μm)
1	BASE FILM	POLYIMIDE OR POLYESTER OR EQUIVALENT	25
2	CONDUCTOR	COPPER FOIL(PLATING : SOLDER 1μm MIN.)	35
3	OVERLAY	POLYIMIDE OR POLYESTER OR EQUIVALENT	—
4	SUPPORTING TAPE	POLYESTER OR POLYIMIDE OR EQUIVALENT	188

NOTES

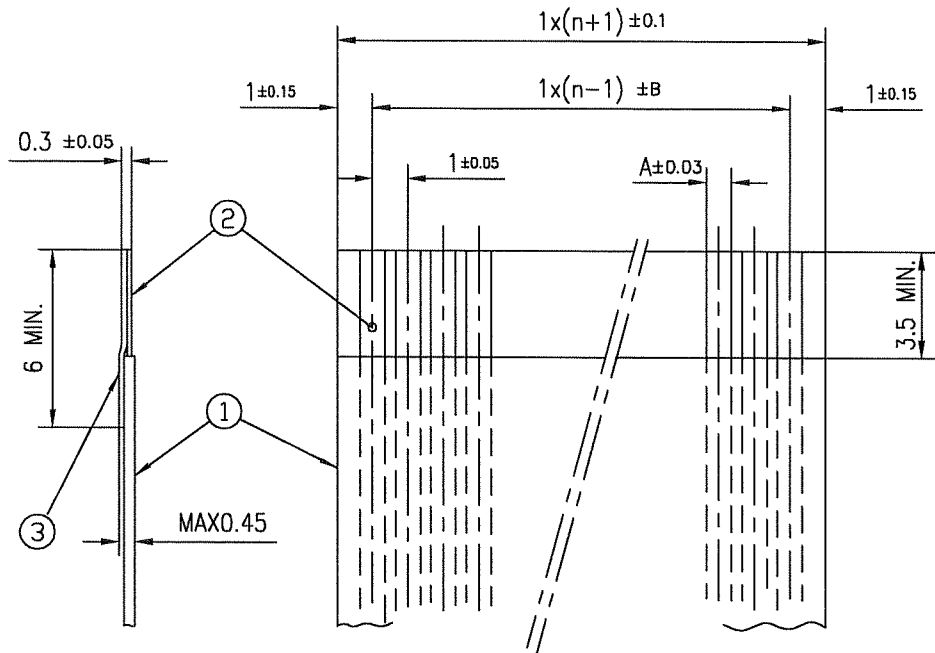
1. NO BURR AT EACH PORTION.
2. NO PEELING IN COMMON USE.
3. TOTAL THICKNESS LIMIT OF EACH MATERIAL (INCLUDING ADHESIVE AGENT) IS SPECIFIED.

mat'l. code		surface 58 / tolerance ISO 1302 ✓ / ISO 406 / ISO 1101		projection		product family 58NF		CODE JP	
ltr	ecn no	dr	date	tolerances unless otherwise specified		title			
A	J06-0413	H.T	10/4/'06	angles	linear	RECOMMENDED CABLE			
						(Cat. No. HFW__R-1/2__)			
				dr	10/14/'06	dwg no		sheet 1 of 1 size	
				enr	10/15/'06	JSA 93573		A4	
				chr	10/12/'06	type Product Customer Drawing			
				appd	10/12/'06				
sheet index	revision sheet	A	1					Rev. A	

form: A4

RECOMMENDED CABLE (FFC)

n : NO. OF CONDUCTORS



(NOTE 3)	DIMENSION A	TOLERANCE B
1	0.7	0.1
2	0.6	0.07

PT. NO.	DESCRIPTION	MATERIAL	NOTE
1	INSULATOR	FLAME RESISTING POLYESTER OR EQUIVALENT	_____
2	CONDUCTOR	COPPER FOIL	PLATING: TIN OR SOLDER 1µm MIN.
3	SUPPORTING TAPE	FLAME RESISTING POLYESTER OR EQUIVALENT	_____

- NOTES
1. NO BURR AT EACH PORTION.
 2. NO PEELING IN COMMON USE.
 3. BOTH COMBINATION IS ALLOWED.

mat'l. code				surface 58 / ISO 1302 ✓		tolerance ISO 406 / ISO 1101		projection		product family 58NF		CODE JP	
ltr				ecn no		dr		date		tolerances unless otherwise specified			
1				---		T.M		4/30/'02		angles linear			
A				J06-0413		H.T		10/4/'06		mm			
										scale X			
										title			
										RECOMMENDED CABLE (Cat. No. HFW__R-1/2__)			
										dwg no		sheet 1 of 1 size	
										JSA 93574		A4	
										type Product Customer Drawing			
sheet index		revision sheet		A		1						Rev. A	

form: A4



FCIconnect.com

Copyright FCI.