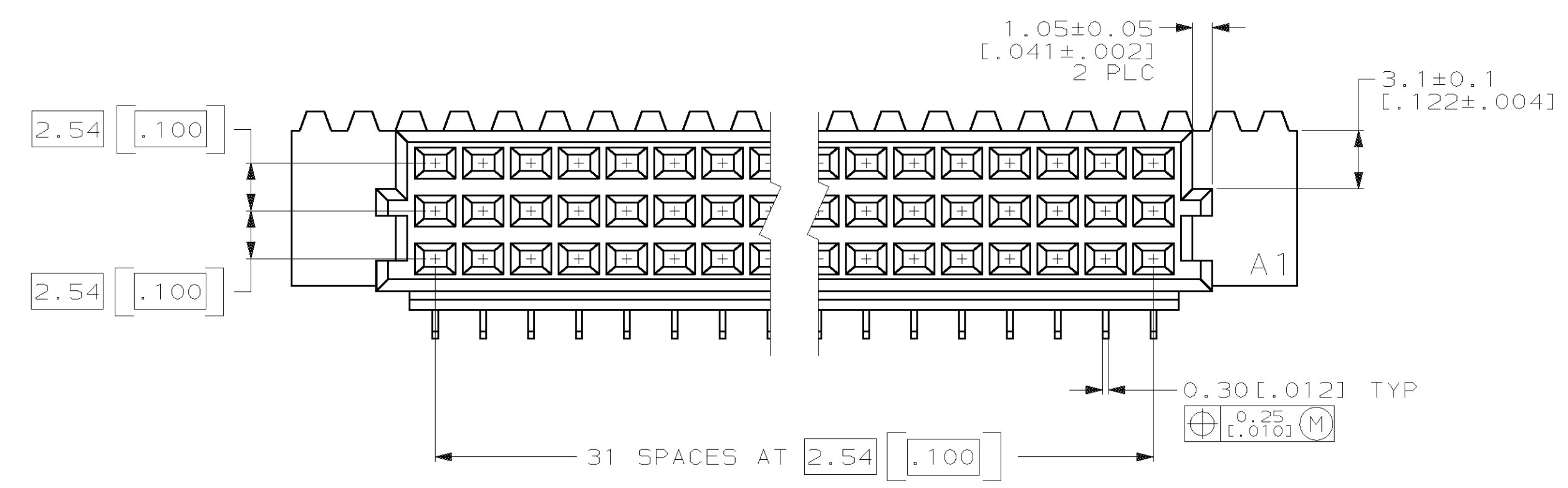
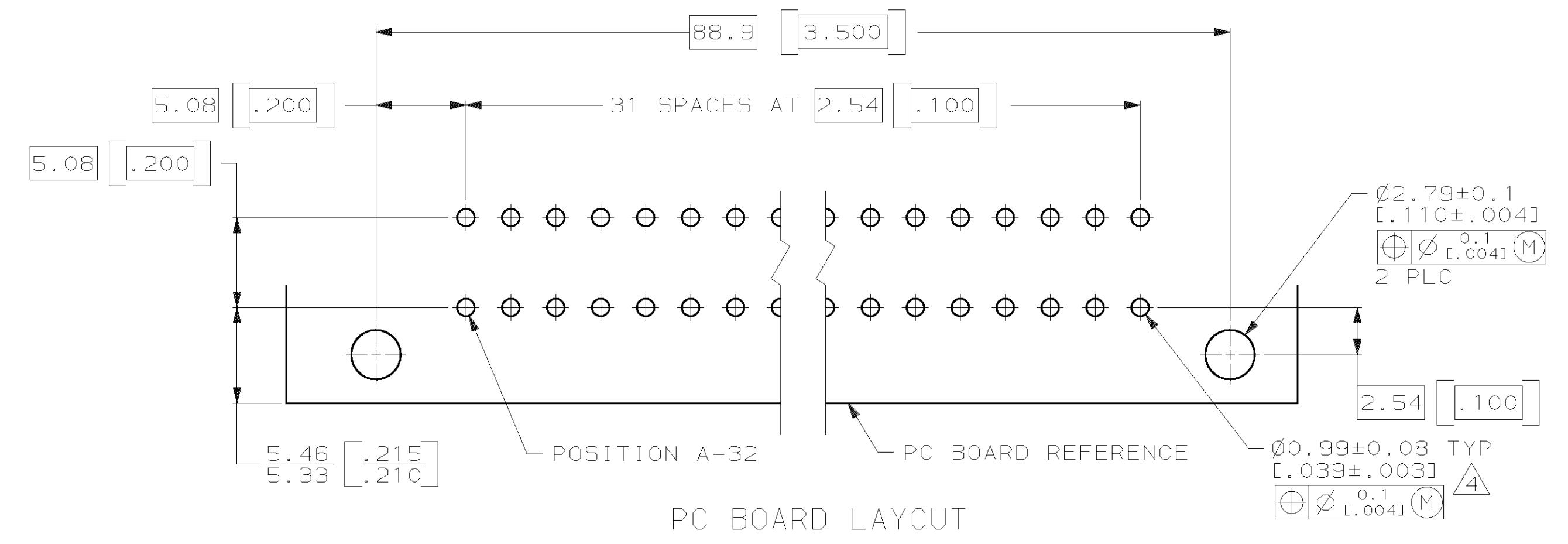
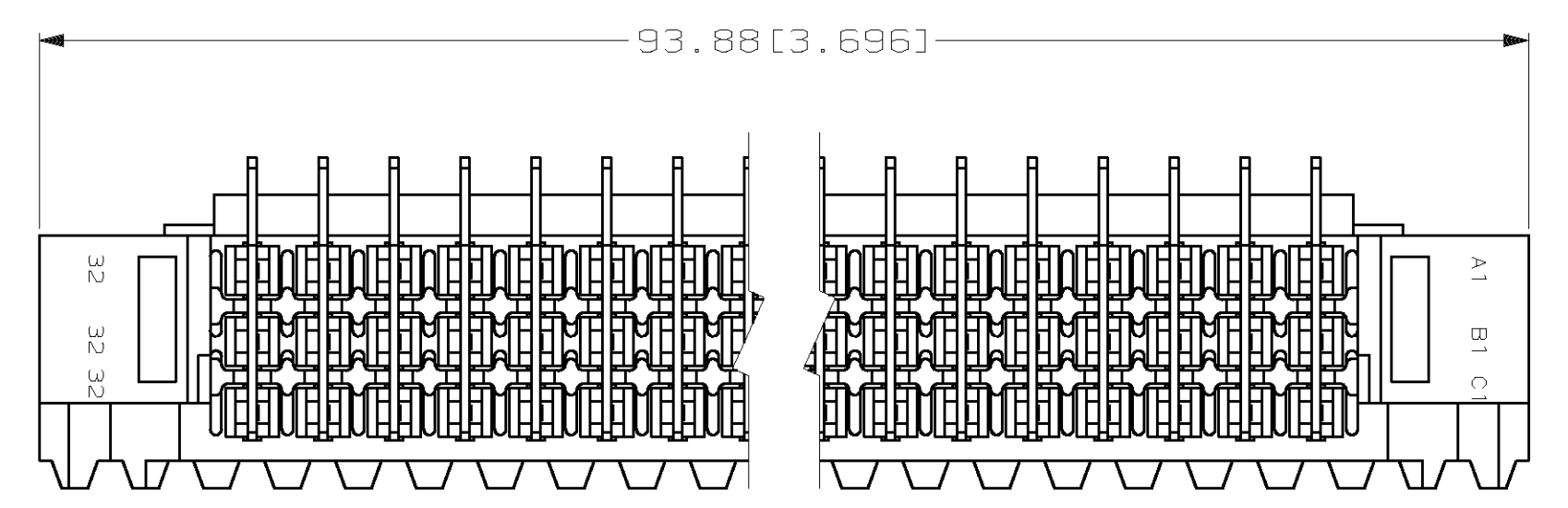
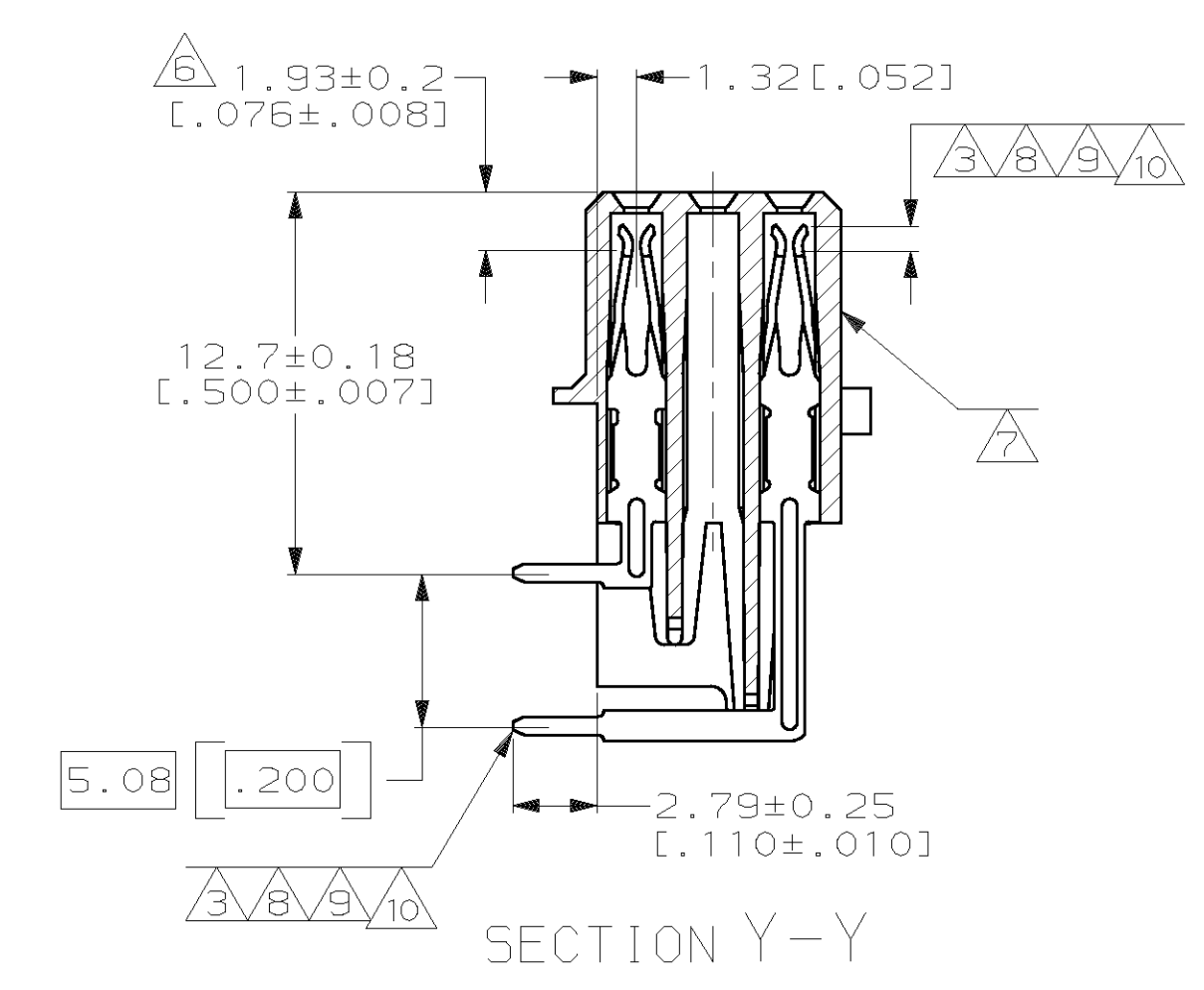
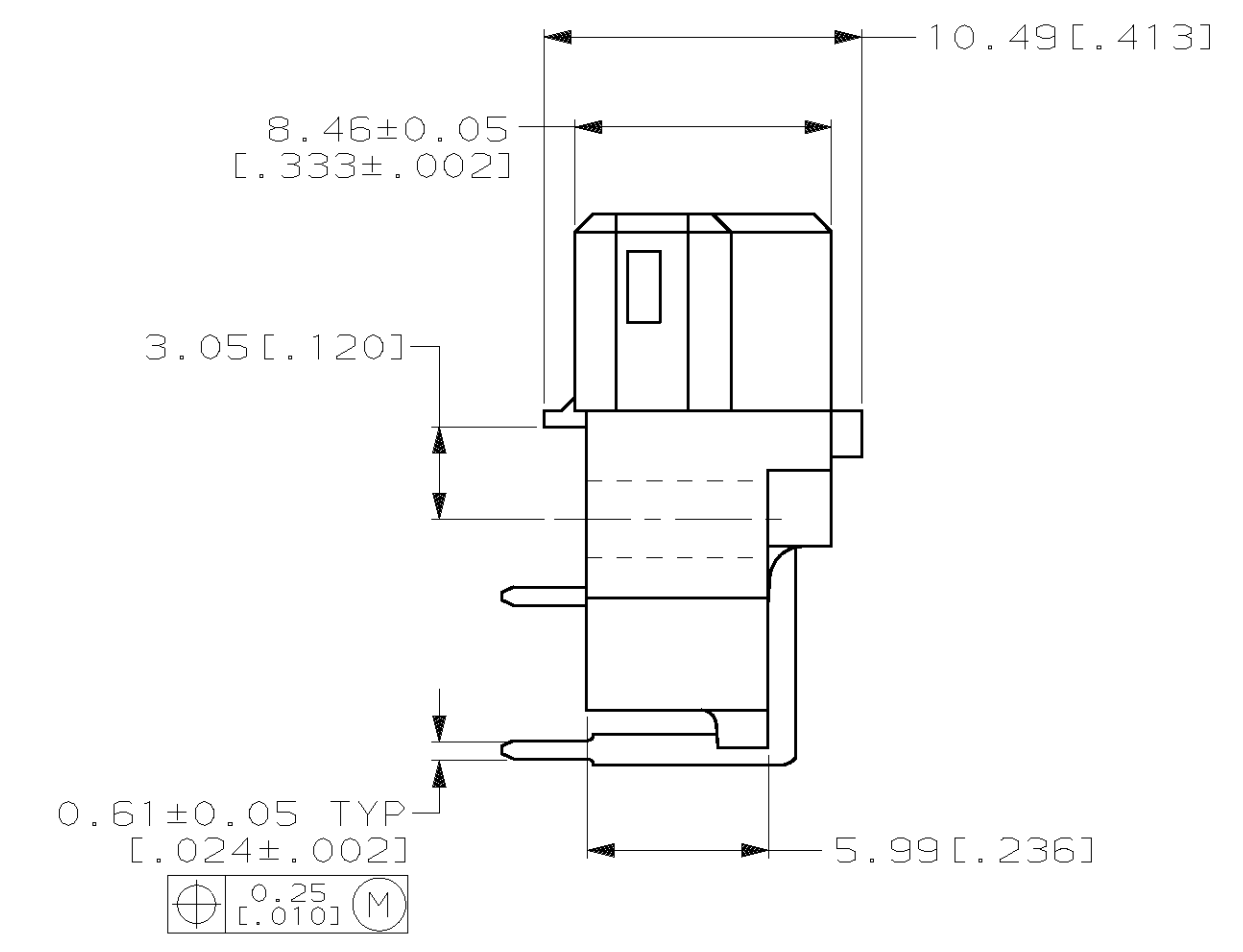
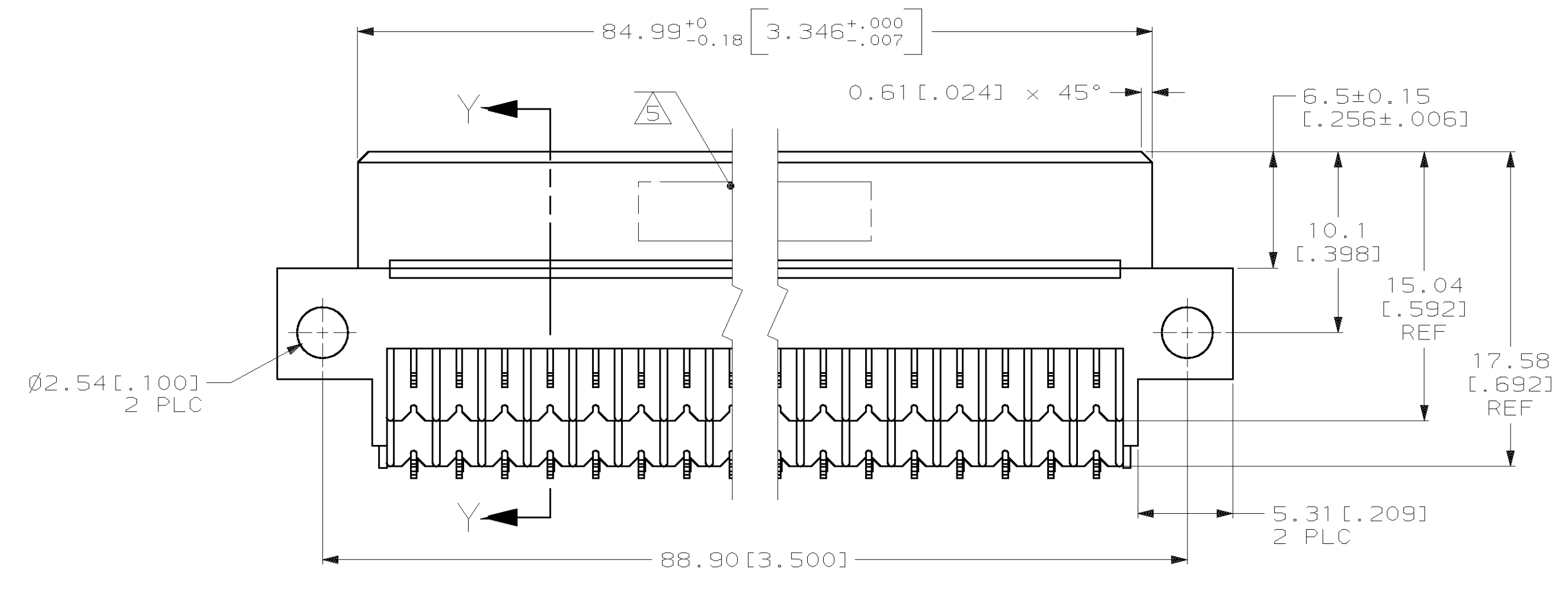


LOC	DIST	P	F	ZONE	LTR	DESCRIPTION	DATE	APPD
AD	25				R	ADDED -6 PER EC 0621-103-99	08 APR 99	CR
					S	REV PER EC 0U1B-0203-00	15 AUG 00	CR
					T	REV PER EC 0S12-0016-03	09 JAN 04	AS



- ① HOUSING MATERIAL: GLASS-FILLED POLYESTER. COLOR: GRAY.
- ② CONTACT MATERIAL: PHOSPHOR BRONZE.
- ③ CONTACT FINISH: 0.00076[.000030] GOLD IN CONTACT AREA. 0.00127[.000050] NICKEL UNDERPLATE ALL OVER. TIN-LEAD ON POSTS.
- ④ RECOMMENDED HOLE SIZE FOR MANUAL APPLICATION OF CONNECTOR ONTO PC BOARD.
- ⑤ PART NUMBER, DATE CODE IDENTIFICATION, CSA LOGO HOT-STAMPED THIS APPROXIMATE AREA.
- ⑥ CONTACT POINT.
- ⑦ HOT-STAMPING ON THIS SIDE.
- ⑧ CONTACT FINISH: DIN 41612 CLASS 3 IN CONTACT AREA. TIN-LEAD ON POSTS.
- ⑨ CONTACT FINISH: DIN 41612 CLASS 1 IN CONTACT AREA. TIN-LEAD ON POSTS.
- ⑩ CONTACT FINISH: DIN 41612 CLASS 2 IN CONTACT AREA. TIN-LEAD ON POSTS.



NOTES	POSITIONS LOADED	C	B	A	NO. OF LOADED POSITION	ASSY PART NUMBER	
SUPERSEDED BY 650870-4							
OBSOLETE	⑧	1 THRU 32	X	-	X	64	650870-9
OBSOLETE	⑩	1 THRU 32	X	-	X	64	650870-6
OBSOLETE	⑩	1 THRU 32	X	-	X	64	650870-5
OBSOLETE	③	1 THRU 32	X	-	X	64	650870-4
OBSOLETE	⑨	1 THRU 32	X	-	X	64	650870-1

DO NOT SCALE PRINT. UNLESS SPECIFIED DIMENSIONS IN mm [INCHES] TOLERANCES ON: 1 PLC DEC ± .013[.005] ANGLES ± -

DR L. BRINER 9/17/90
 CHK N. DRASHER 12/19/91
 APPD N. DRASHER 12/19/91
 MATERIAL HOUSING: ① CONTACT: ②
 FINISH CONTACT: ③, ⑧, ⑨, ⑩
 APPLICATION SPEC -
 WEIGHT -

AMP INCORPORATED Harrisburg, Pa. 17105
 NAME RECEPTACLE ASSEMBLY, EUROCARD, TYPE R
 SIZE D CAGE CODE 00779 DRAWING NO 650870
 SCALE 4:1 SHEET 1 OF 1