

ST-REL4-KG230/21-21 - Relay connectors



2822419

<https://www.phoenixcontact.com/us/products/2822419>

Please be informed that the data shown in this PDF document is generated from our online catalog. Please find the complete data in the user documentation. Our general terms of use for downloads are valid.



Relay connector, equipped with miniature switching relay, contacts (AgNi): medium to large loads, 2 changeover contacts, input voltage 230 V AC/DC, with LED display, pluggable into basic terminal blocks

Commercial data

| | |
|--------------------------------------|-------------------|
| Item number | 2822419 |
| Packing unit | 1 pc |
| Minimum order quantity | 1 pc |
| Sales key | C460 |
| Product key | CK6125 |
| Catalog page | Page 89 (IF-2005) |
| GTIN | 4017918077273 |
| Weight per piece (including packing) | 46.86 g |
| Weight per piece (excluding packing) | 46.86 g |
| Customs tariff number | 85364900 |
| Country of origin | DE |

ST-REL4-KG230/21-21 - Relay connectors



2822419

<https://www.phoenixcontact.com/us/products/2822419>

Technical data

Product properties

| | |
|-------------------------|--------------------------------|
| Product type | Relay Module |
| Operating mode | 100% operating factor |
| Mechanical service life | approx. 2×10^7 cycles |

Electrical properties

| | |
|------------------------------------------------------|----------------------------------------------------------------|
| Maximum power dissipation for nominal condition | 0.92 W |
| Test voltage (Winding/contact) | 2.5 kV AC (50 Hz, 1 min., winding/contact) |
| Test voltage (Changeover contact/changeover contact) | 1 kV AC (50 Hz, 1 min., changeover contact/changeover contact) |

Input data

Coil side

| | |
|--------------------------------|-------------------------------------|
| Nominal input voltage U_N | 230 V AC/DC |
| Input voltage range | 207 V AC/DC ... 253 V AC/DC (20 °C) |
| Drive and function | monostable |
| Drive (polarity) | polarized |
| Typical input current at U_N | 4 mA |
| Typical response time | 6 ms (with DC) |
| Typical release time | 7 ms (with DC) |
| Protective circuit | Bridge rectifier, varistor |
| Operating voltage display | yes |

Output data

Switching

| | |
|---------------------------------------|----------------------------------------------------------------------------------------------------------------------------------|
| Contact switching type | 2 changeover contacts |
| Type of switch contact | Single contact |
| Contact material | AgNi |
| Maximum switching voltage | 250 V AC/DC |
| Limiting continuous current | 3 A |
| Maximum inrush current | 5 A |
| Interrupting rating (ohmic load) max. | 70 W (at 24 V DC) 85 W (at 48 V DC) 60 W (at 60 V DC) 40 W (at 110 V DC) 60 W (at 220 V DC) 750 VA (for 250 V AC) |

Dimensions

| | |
|--------|---------|
| Width | 27 mm |
| Height | 33 mm |
| Depth | 66.5 mm |

ST-REL4-KG230/21-21 - Relay connectors



2822419

<https://www.phoenixcontact.com/us/products/2822419>

Environmental and real-life conditions

Ambient conditions

| | |
|-----------------------------------------|------------------|
| Ambient temperature (operation) | -20 °C ... 50 °C |
| Ambient temperature (storage/transport) | -20 °C ... 70 °C |

Standards and regulations

| | |
|-----------------------|--------------------------------------------|
| Standards/regulations | DIN VDE 0110b, Gr. C for 250 V DC |
| | IEC 60255/DIN VDE 0435 (in relevant parts) |
| | DIN EN 50178/VDE 0160 (in relevant parts) |
| | EN 60730/DIN VDE 0631 |
| | DIN VDE 0160 (in relevant parts) |

Mounting

| | |
|---------------|------------------|
| Mounting type | Plug-in mounting |
|---------------|------------------|

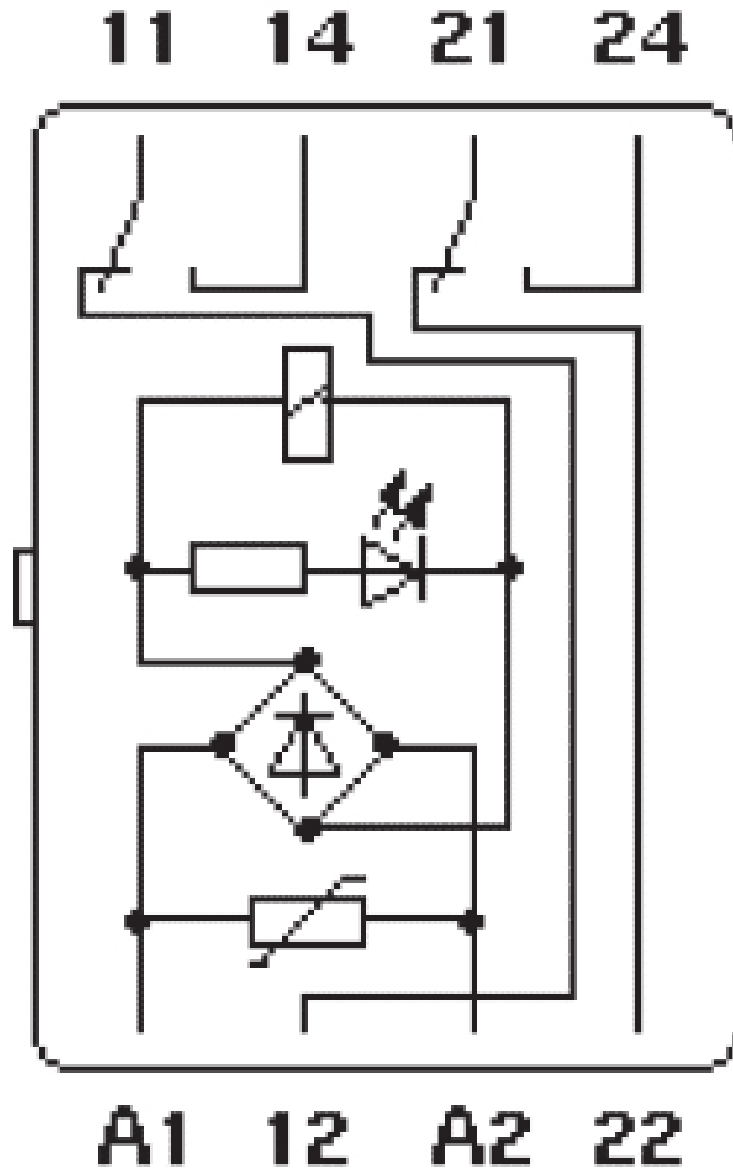
ST-REL4-KG230/21-21 - Relay connectors

2822419

<https://www.phoenixcontact.com/us/products/2822419>

Drawings

Circuit diagram



ST-REL4-KG230/21-21 - Relay connectors



2822419

<https://www.phoenixcontact.com/us/products/2822419>

Approvals

🔗 To download certificates, visit the product detail page: <https://www.phoenixcontact.com/us/products/2822419>



EAC

Approval ID: TR_TS_D_00573_c



EAC

Approval ID: RU*C-DE.*08.B.00010

ST-REL4-KG230/21-21 - Relay connectors



2822419

<https://www.phoenixcontact.com/us/products/2822419>

Classifications

ECLASS

| | |
|-------------|----------|
| ECLASS-11.0 | 27371601 |
| ECLASS-12.0 | 27371601 |
| ECLASS-13.0 | 27371601 |

ETIM

| | |
|----------|----------|
| ETIM 8.0 | EC001437 |
|----------|----------|

UNSPSC

| | |
|-------------|----------|
| UNSPSC 21.0 | 39122300 |
|-------------|----------|

ST-REL4-KG230/21-21 - Relay connectors



2822419

<https://www.phoenixcontact.com/us/products/2822419>

Environmental product compliance

| | |
|------------|--------------------------------------------------------------------------------------------------------------|
| REACH SVHC | Lead 7439-92-1 |
| | Hexahydromethylphthalic anhydride |
| China RoHS | Environmentally Friendly Use Period = 50 years |
| | For information on hazardous substances, refer to the manufacturer's declaration available under "Downloads" |

ST-REL4-KG230/21-21 - Relay connectors

2822419

<https://www.phoenixcontact.com/us/products/2822419>

Accessories

URELG 4-PMTK - Basic terminal block

2820712

<https://www.phoenixcontact.com/us/products/2820712>



Basic termination blocks with test connection on both sides and knife disconnection for NS 32 and NS 35/7.5 DIN rail, with end cover, for ST-REL..., ST-OV... and ST-OE... plugs, 4-pos.

UDK-RELG 4 - Basic terminal block

2777056

<https://www.phoenixcontact.com/us/products/2777056>



Basic termination blocks with test connection on both sides and double connections with the same potential for NS 32 and NS 35/7.5 DIN rail, with end cover, for ST-REL..., ST-OV... and ST-OE... plugs, 4-pos.

ST-REL4-KG230/21-21 - Relay connectors



2822419

<https://www.phoenixcontact.com/us/products/2822419>

URELG 4 - Basic terminal block

2820149

<https://www.phoenixcontact.com/us/products/2820149>



Basic termination blocks with screw connection for NS 32 and NS 35/7.5 DIN rail, with end cover, for ST-REL..., ST-OV... and ST-OE... plugs, 4-pos.

Phoenix Contact 2023 © - all rights reserved

<https://www.phoenixcontact.com>

Phoenix Contact USA
586 Fulling Mill Road
Middletown, PA 17057, United States
(+717) 944-1300
info@phoenixcon.com