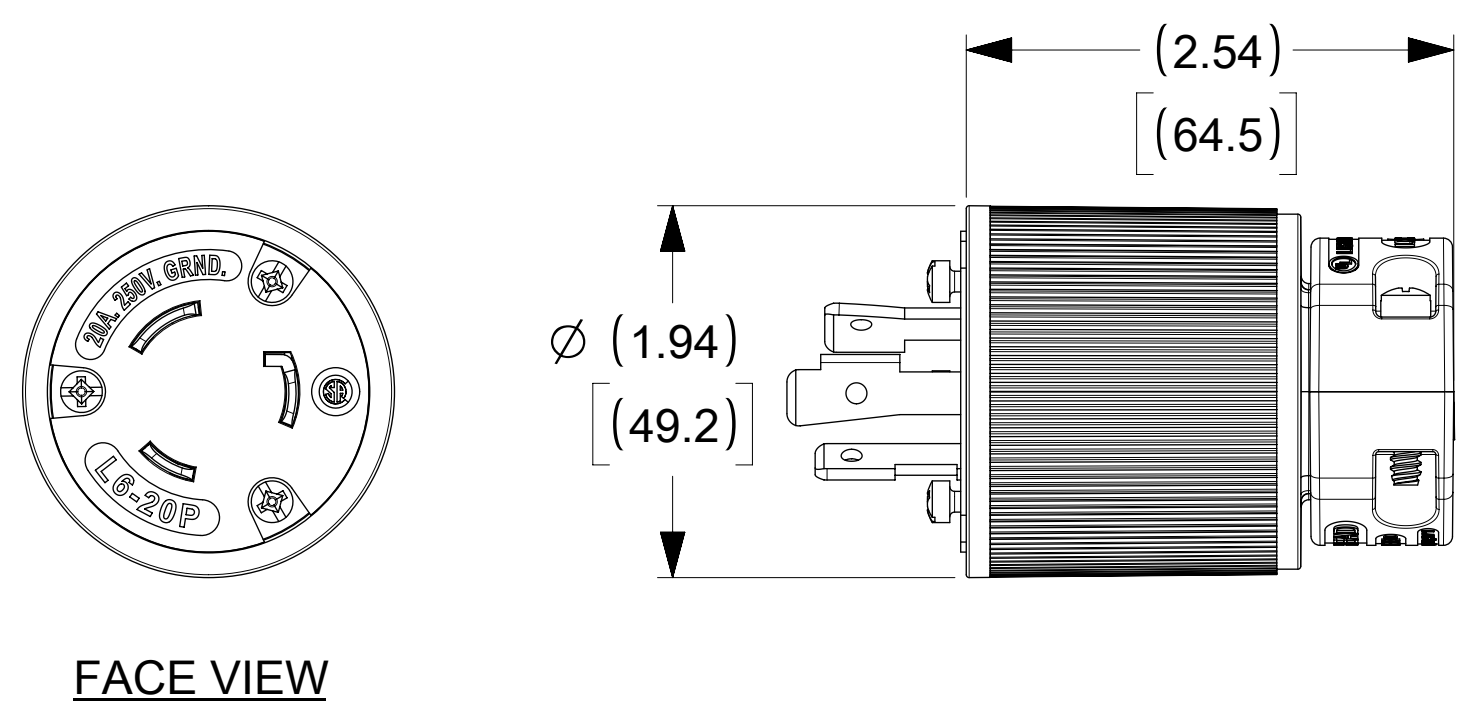
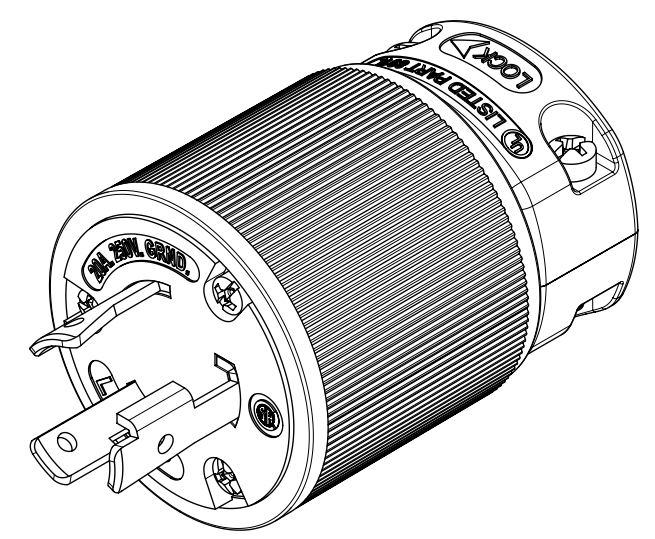
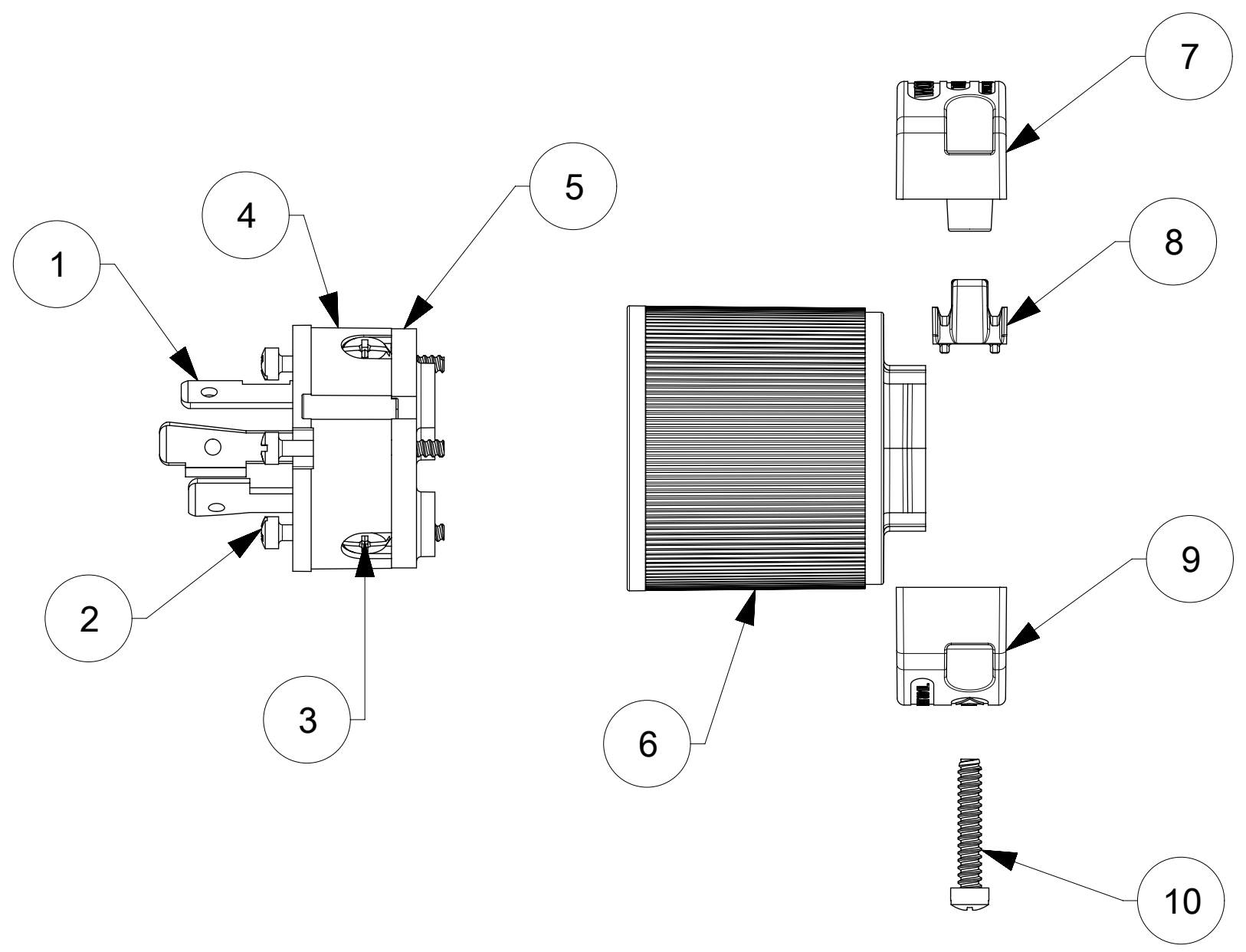
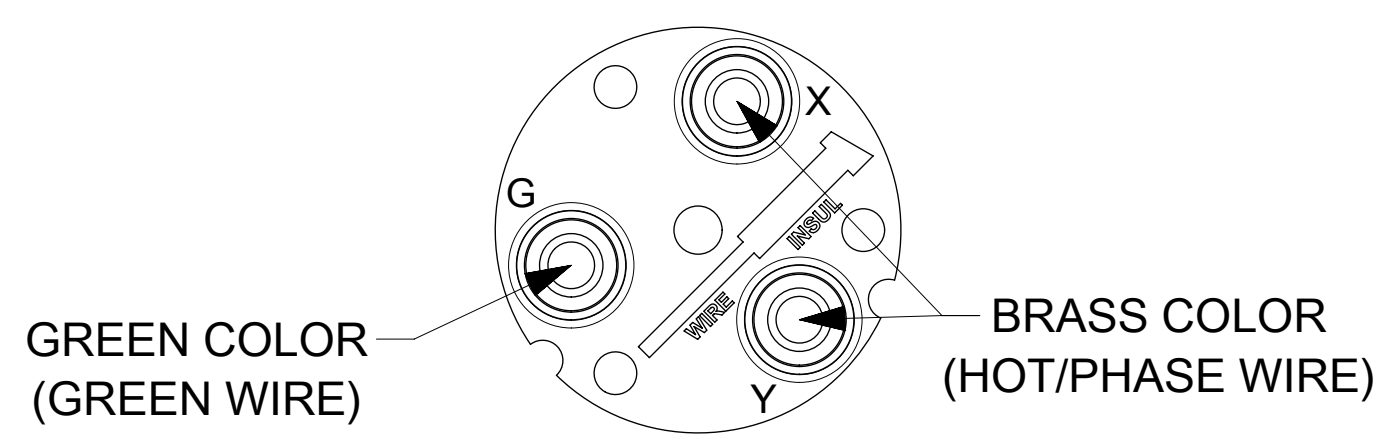


ORDER NO.	WOODHEAD NO.	COLOR
130145-0011	26T48	BLACK
130145-0012	26T48YL	YELLOW



**WIRING TERMINATION**



ITEM NO.	DESCRIPTIONS	MATERIAL	QTY.
1	BLADES	BRASS	3
2	RETAINING SCREWS	STAINLESS STEEL	3
3	TERMINAL SCREWS/CLAMP ASSEMBLY	BRASS, ZINC PLATED	3
4	INSERT	NYLON	1
5	TERMINAL COVER	POLYCARBONATE	1
6	HOUSING	NYLON	1
7	CLAMP CORD MALE	NYLON	1
8	CLAMP CORD INSERT	NYLON	1
9	CLAMP CORD FEMALE	NYLON	1
10	RETAINING SCREWS	STAINLESS STEEL	2

<b>SYMBOLS</b> DIMENSION UNITS: INCH[MM] SCALE: NTS GENERAL TOLERANCES (UNLESS SPECIFIED): 4 PLACES: ± 3 PLACES: ± 2 PLACES: ± 1 PLACE: ± 0 PLACES: ± ANGULAR TOL: ± ° DRAFT WHERE APPLICABLE MUST REMAIN WITHIN DIMENSIONS		THIS DRAWING CONTAINS INFORMATION THAT IS PROPRIETARY TO MOLEX ELECTRONIC TECHNOLOGIES, LLC AND SHOULD NOT BE USED WITHOUT WRITTEN PERMISSION CURRENT REV DESC: NEW RELEASE EC NO: 621489 DRWN: VBASUTHKARP 2019/02/21 CHK'D: DNGUYEN62 2019/12/02 APPR: HKNEELAND 2020/01/13 INITIAL REVISION: DRWN: VBASUTHKARP 2019/02/21 APPR: HKNEELAND 2020/01/13 THIRD ANGLE PROJECTION DRAWING SERIES: C-SIZE 130145		 SAFEWAY PLUG TURNEX 2P3W L6-20 PRODUCT CUSTOMER DRAWING DOCUMENT NUMBER: 1301450011 DOC TYPE: PSD DOC PART: 000 REVISION: A MATERIAL NUMBER: SEE TABLE CUSTOMER: GENERAL MARKET SHEET NUMBER: 1 OF 1		
---	--	--	--	--	--	--