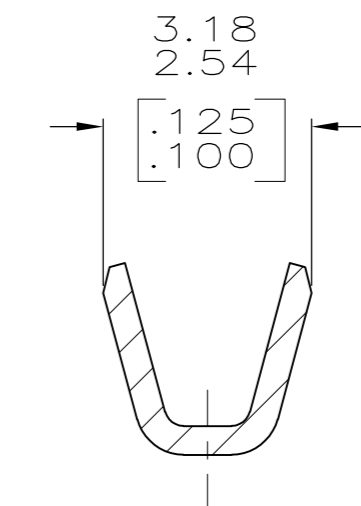
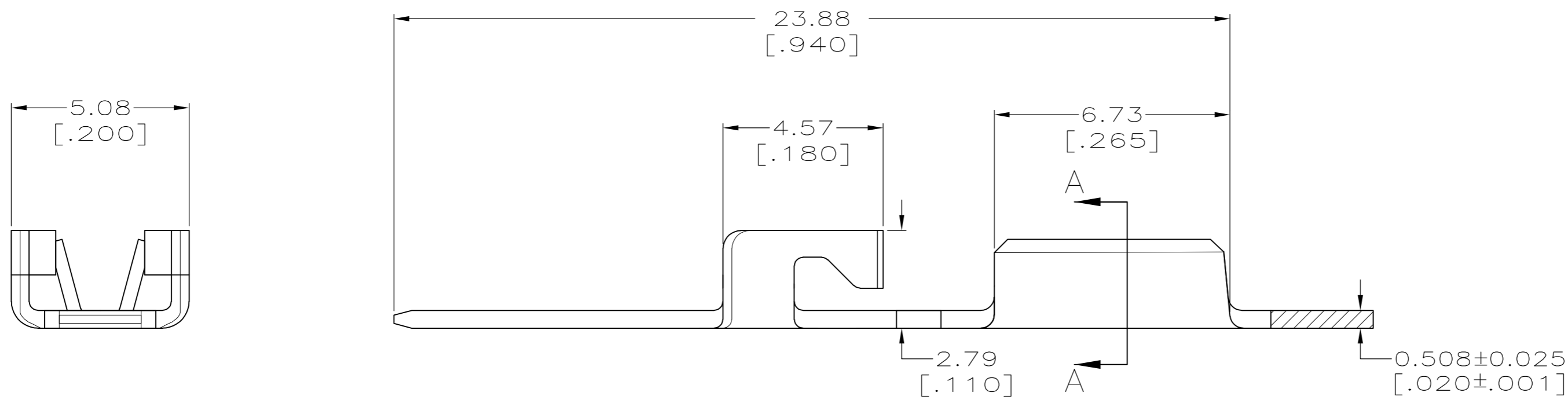
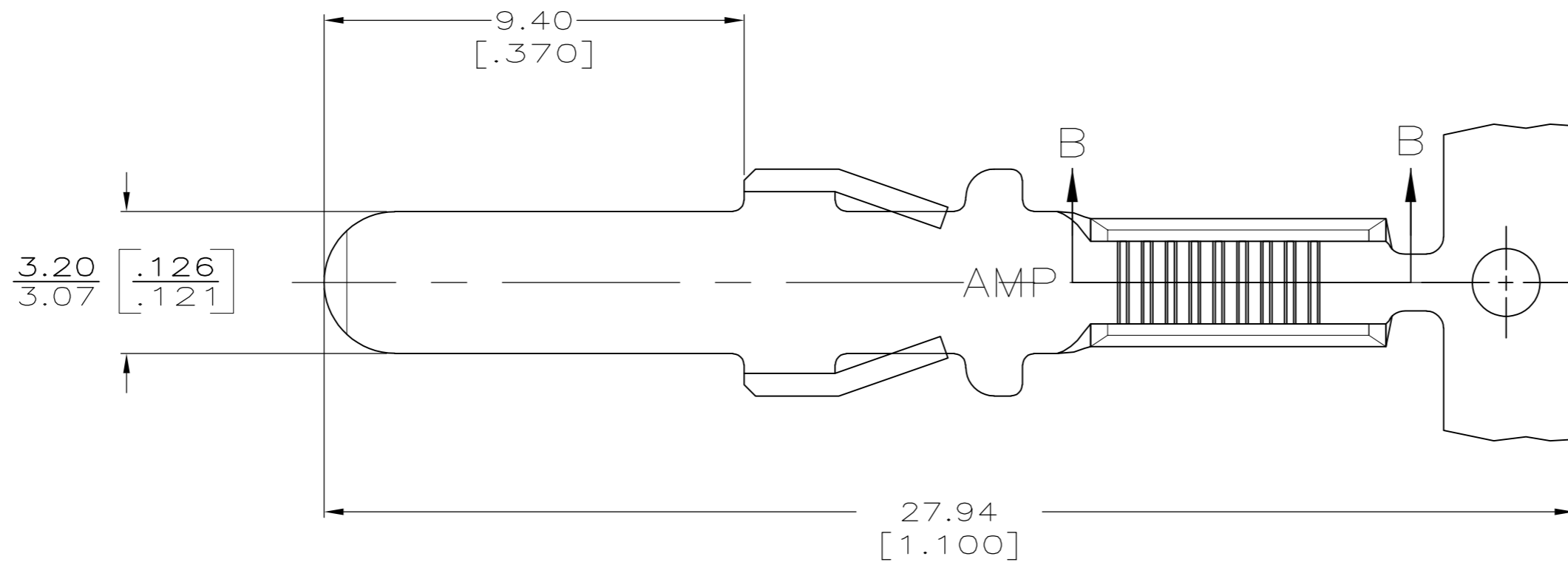


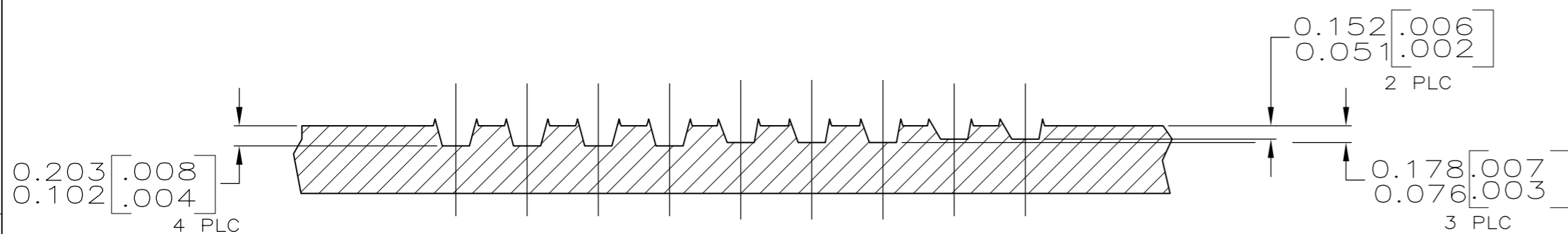
THIS DRAWING IS UNPUBLISHED. RELEASED FOR PUBLICATION
 © COPYRIGHT - By TYCO ELECTRONICS CORPORATION. ALL RIGHTS RESERVED.

LOC	DIST	REVISIONS			
P	LTR	DESCRIPTION	DATE	DWN	APVD
AF	50				
	F	REVISE PER ECR-13-013738	15FEB14	GRZ	JL

1 CONTINUOUS STRIP ON REEL.



SECTION A-A
SCALE 10:1



SECTION B-B
SCALE 25:1

400-1600 CMA RANGE	1217029-1
WIRE RANGE	PART NUMBER



CONTACT,
3.18 [.125] BLADE,AMPLIVAR

THIS DRAWING IS A CONTROLLED DOCUMENT.		DWN	04/NOV/97	NAME
DIMENSIONS: INCHES		PHILLIP M FORTNEY	04/NOV/97	
TOLERANCES UNLESS OTHERWISE SPECIFIED:		CHK	JEFF R RUTH	PRODUCT SPEC
0 PLC ± -		APVD	-	
1 PLC ± -		APPLICATION SPEC	-	WEIGHT
2 PLC ± 0.25 [.010]		SIZE	A2	
3 PLC ± -		CAGE CODE	00779	DRAWING NO
4 PLC ± -		SCALE	8:1	
ANGLES ± -		DRAWING NO	1217029	RESTRICTED TO
FINISH		WEIGHT	-	
0.002032 [.000080] MIN TIN PL PER MIL-T-10727		CUSTOMER DRAWING	SCALE 8:1	SHEET 1 of 1
MATERIAL	BRASS	CUSTOMER DRAWING		REV F

CUSTOMER DRAWING