

RECOMMENDED SOLDER PAD DESIGN

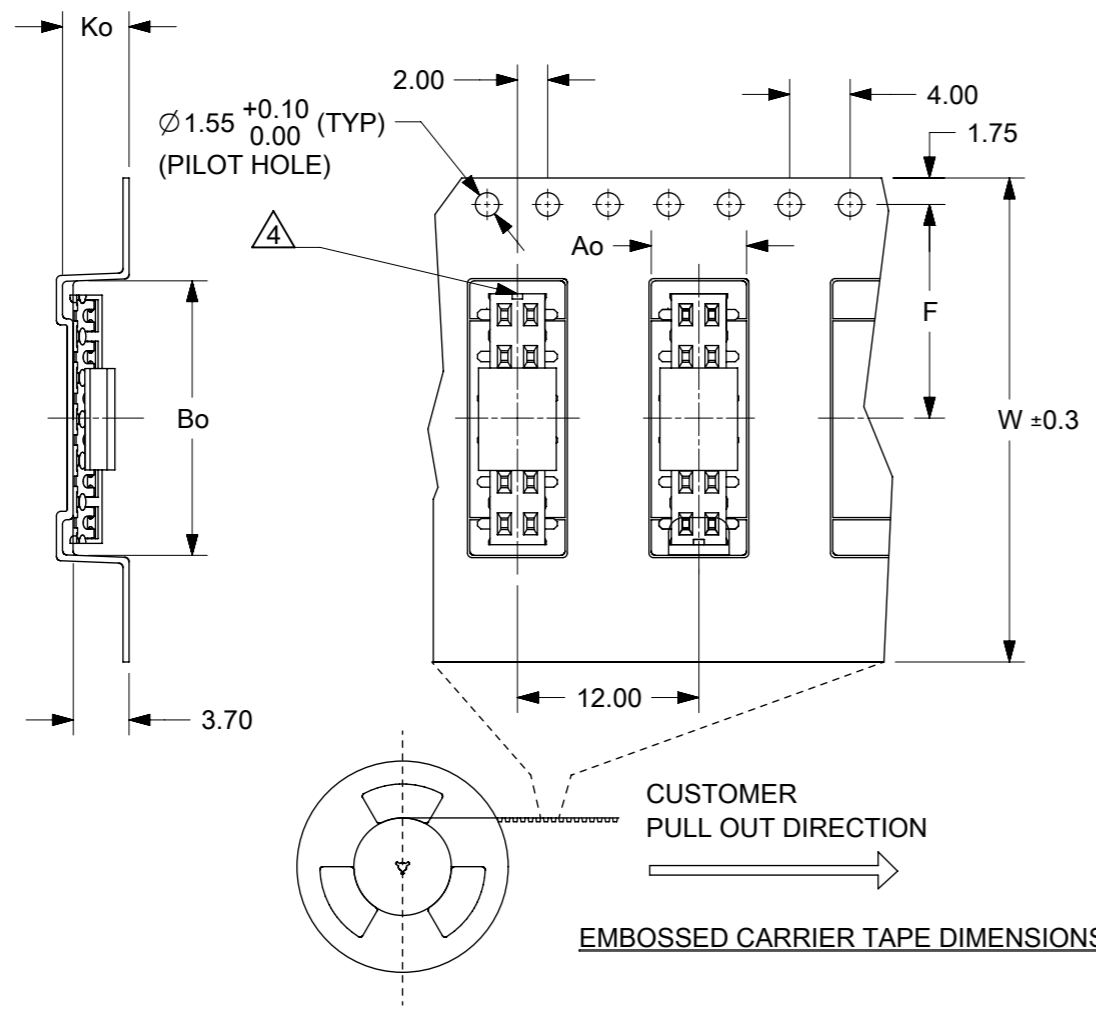
PART NUMBER W/CAP IN TUBE	CKT. SIZE	DIM. A	DIM. B
87340-04*5	4	4.00	2.00
87340-06*5	6	6.00	4.00
87340-08*5	8	8.00	6.00
87340-10*5	10	10.00	8.00
87340-12*5	12	12.00	10.00
87340-14*5	14	14.00	12.00
87340-16*5	16	16.00	14.00
87340-18*5	18	18.00	16.00
87340-20*5	20	20.00	18.00

PART NO. LEGEND  
 87340- \* \* \* \*  
 \* PACKAGING  
 5 - TUBE  
 6 - T&R  
 \* PLATING SEE NOTE 3  
 \* CIRCUIT SIZE

NOTES:

- FOR ILLUSTRATION PURPOSES, DRAWING SHOWS PART WITH 12 CIRCUIT SIZE.
- MATERIAL:  
HOUSING: LCP GLASS FILLED, UL 94V-0  
SUITABLE FOR SURFACE-MOUNT SOLDERING PROCESS.  
COLOR BLACK  
TERMINAL: PHOSPHOR BRONZE ALLOY.
- PLATING- 9 : 0.38µm MINIMUM GOLD PLATE AT CONTACT AREA, AND 1.90µm MINIMUM TIN PLATE AT P.C TAIL AREA, BOTH OVER 1.27µm MINIMUM NICKEL OVERALL.  
3 : 0.05-0.25µm GOLD PLATE AT CONTACT AREA, AND 1.90µm MINIMUM TIN PLATE AT P.C TAIL AREA, BOTH OVER 1.27µm MINIMUM NICKEL OVERALL.
- COPLANARITY OF P.C TAIL TO BE MEASURED BY RESTING THE PART ON A FLAT GAGE SURFACE.
- THIS AREA OF PART TO BE HEAT-STAKED TO RETAIN CONTACTS.
- POSITION OF CAP TO BE LOCATED AT CENTER OF DIMENSION "A" REGARDLESS OF CIRCUIT SIZE.
- PRODUCT SPECIFICATION PS-87340 APPLIES.
- PART TO BE PACKAGED IN TAPE-&-REEL. SEE SHEET 2 FOR PACKAGING DETAILS.
- CONTACT FACTORY FOR PARTS AVAILABILITY.

SYMBOLS	THIS DRAWING CONTAINS INFORMATION THAT IS PROPRIETARY TO MOLEX ELECTRONIC TECHNOLOGIES, LLC AND SHOULD NOT BE USED WITHOUT WRITTEN PERMISSION		CURRENT REV DESC:		<b>molex</b>
	DIMENSION UNITS	SCALE			
▽ = 0	mm	NTS			PRODUCT CUSTOMER DRAWING
▽ = 0	GENERAL TOLERANCES (UNLESS SPECIFIED)				
▽ = 0		MM	INCH	EC NO: 740811	DOCUMENT NUMBER <b>SD-87340-XX92</b>
▽ = 0	4 PLACES ±			DRWN: DANUSA 2023/02/13	
▽ = 0	3 PLACES ±			CHK'D: SUAIFR 2023/03/02	DOC TYPE DOC PART REVISION
▽ = 0	2 PLACES ± 0.2			APPR: MRAMAKRISHNA 2023/03/03	PSD 001 D5
▽ = 0	1 PLACE ±			INITIAL REVISION:	MATERIAL NUMBER SEE TABLE
▽ = 0	0 PLACES ±			DRWN: JWAN 1995/01/25	
▽ = 0	ANGULAR TOL ± 3.0°			APPR: RWONG 1995/01/25	CUSTOMER GENERAL MARKET
▽ = 0	DRAFT WHERE APPLICABLE MUST REMAIN WITHIN DIMENSIONS	THIRD ANGLE PROJECTION	DRAWING	SERIES	SHEET NUMBER
▽ = 0			A3-SIZE	87340	1 OF 2

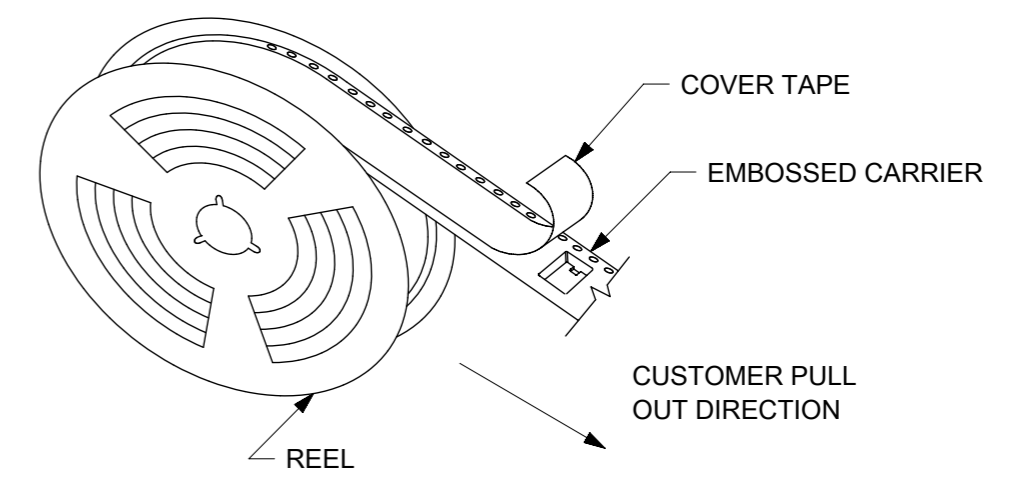


PART NO. W/CAP IN TAPE/REEL	CKT. SIZE	Ao	Bo	F	W	Ko
87340-04*6	4	6.70	5.30	11.50	24.00	5.30
87340-06*6	6	6.50	6.50	7.50	16.00	4.50
87340-08*6	8	6.70	8.40	11.50	24.00	5.30
87340-10*6	10	6.70	10.40	11.50	24.00	5.30
87340-12*6	12	6.60	12.40	11.50	24.00	4.40
87340-14*6	14	6.60	14.30	11.50	24.00	4.40
87340-16*6	16	6.60	16.30	11.50	24.00	4.40
87340-20*6	20	6.70	6.70	20.20	44.00	5.30

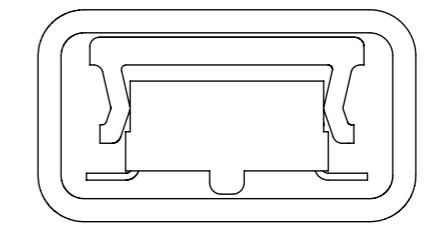
PART LEGEND NA FOR BELOW TABLE

PART NO. W/CAP IN TAPE/REEL	CKT. SIZE	Ao	Bo	F	W	Ko
87340-1196	10	6.70	10.40	11.50	24.00	5.30

NOTE: CKT 7 AND 8 UN-FILLED. REFER HOUSING DRAWING

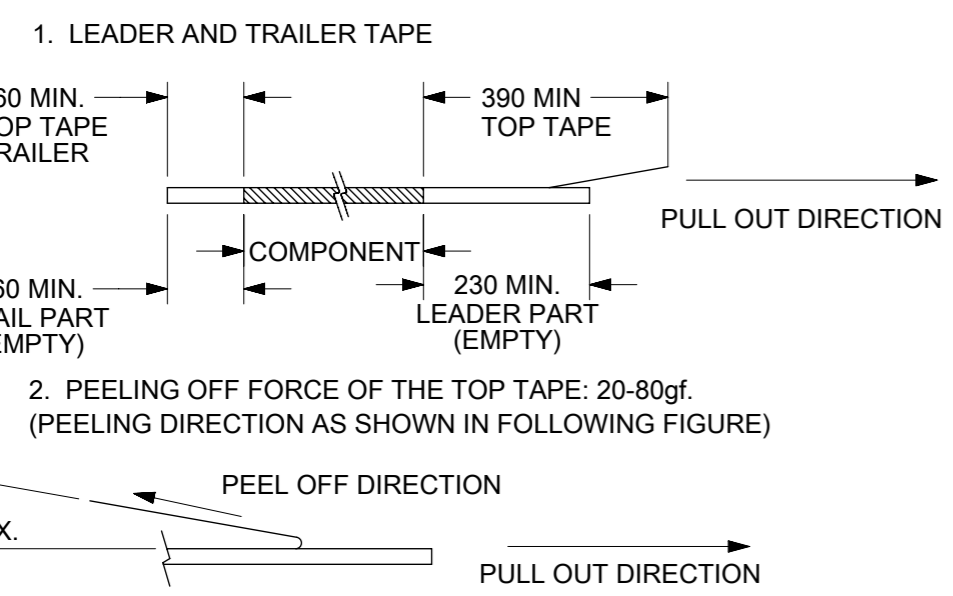


TAPE AND REEL ASSEMBLY SHOWN IS FOR ILLUSTRATION ONLY.



PART IN TUBE VIEW

NOTES:



- 3. PACKAGING STANDARD IS AS PER EIA-481.
- 4. TAPE & REEL QUANTITY = 1000 PCS/REEL
- 5. NO FIX ORIENTATION OF ASSEMBLY PART IN T&R.

<b>SYMBOLS</b> DIMENSION UNITS: mm, NTS SCALE: GENERAL TOLERANCES (UNLESS SPECIFIED) 4 PLACES ±, 3 PLACES ±, 2 PLACES ± 0.2, 1 PLACE ±, 0 PLACES ± ANGULAR TOL ± 3.0° DRAFT WHERE APPLICABLE MUST REMAIN WITHIN DIMENSIONS	THIS DRAWING CONTAINS INFORMATION THAT IS PROPRIETARY TO MOLEX ELECTRONIC TECHNOLOGIES, LLC AND SHOULD NOT BE USED WITHOUT WRITTEN PERMISSION		CURRENT REV DESC: EC NO: 740811 DRWN: DANUSA 2023/02/13 CHK'D: SUAIFR 2023/03/02 APPR: MRAMAKRISHNA 2023/03/03			
	EC NO: 740811 DRWN: DANUSA 2023/02/13 CHK'D: SUAIFR 2023/03/02 APPR: MRAMAKRISHNA 2023/03/03		PRODUCT CUSTOMER DRAWING			
	DRWN: JWAN 1995/01/25 APPR: RWONG 1995/01/25		INITIAL REVISION:		DOCUMENT NUMBER: SD-87340-XX92 DOC TYPE: PSD DOC PART: 001 REVISION: D5	
	DRAFT WHERE APPLICABLE MUST REMAIN WITHIN DIMENSIONS		THIRD ANGLE PROJECTION		DRAWING: A3-SIZE SERIES: 87340 MATERIAL NUMBER: SEE TABLE CUSTOMER: GENERAL MARKET SHEET NUMBER: 2 OF 2	