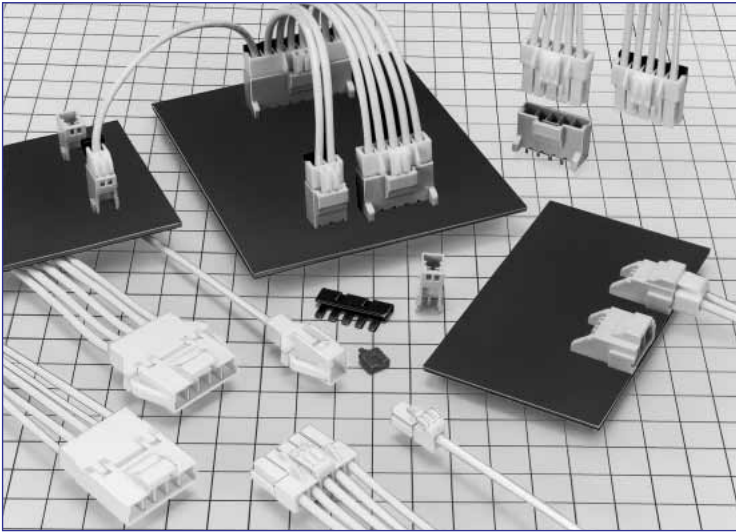
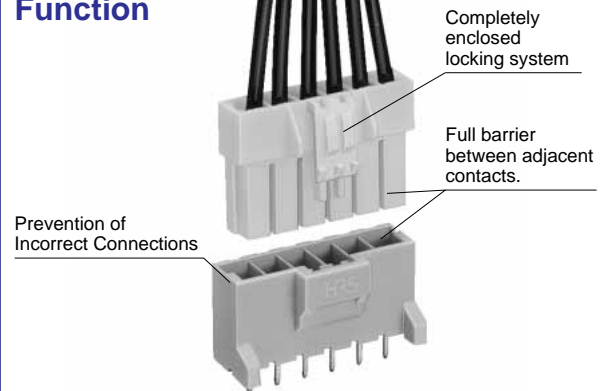


3.96 mm Pitch Miniature Connectors for Internal Power Supplies (UL,C-UL and TÜV Listed)

DF7 Series



Complete Locking Function



Features

1. Complete Locking Function

Reliable interior lock protects mated connectors from accidental disconnection.

2. Increased Contact Retention of Crimped Contacts and Prevention of Incomplete Insertion

Separate contact retainer increases the contact retention, assures and visually confirms the complete contact insertion.

3. Molded-in Contact Retention Tabs

Handling of terminated contacts during the assembly and termination is easier and avoids entangling of wires, since there are no protruding metal tabs.

4. Incorrect Insertion Prevention

Connectors are polarized to assure correct mating with corresponding parts.

5. Solder Crack Prevention

Glass reinforced resin is used in the pin header bodies to prevent solder cracks caused by the heat shrinkage.

6. Prevention of Incorrect Board Placement

Built-in locating posts assure correct connector placement and orientation on the board.(2-12 pos.)

7. Supports Sealing after Installation.

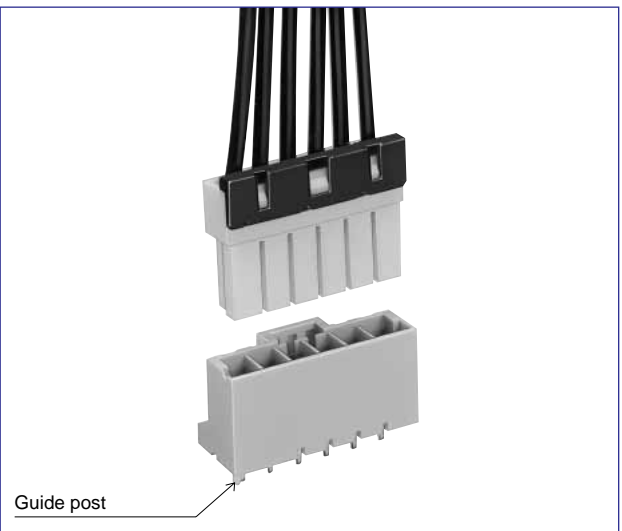
Sealing compound can be applied to the board installed connector for distance of 6 mm max. from the mounting surface (9 mm max. for single position).

8. Cost Effective Tooling

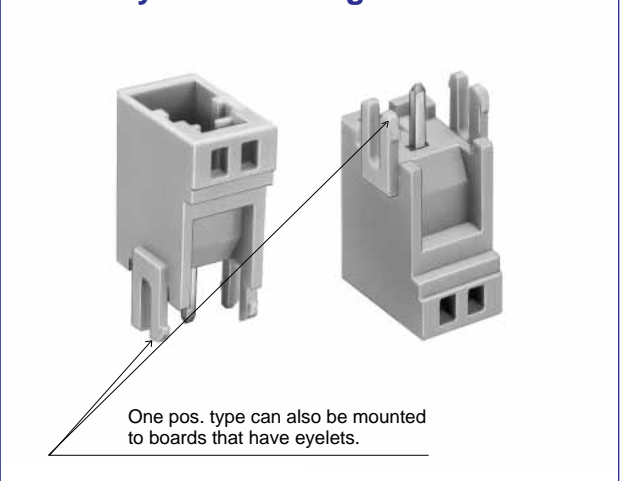
The same crimping tools are used to terminate socket and pin contacts.

9. Prevention of Short Circuits between Adjacent Contacts

Each contact is completely surrounded by the insulator housing, electrically isolating it from adjacent contacts.



Board Eyelet mounting



Continued.

10. 10 A maximum Current

Connector can carry current of 10 A per contact with #16 AWG conductor. Refer to page 3 for current ratings for multi-position connectors using other conductor sizes.

11. Color Variations


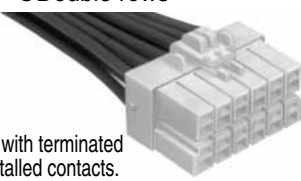

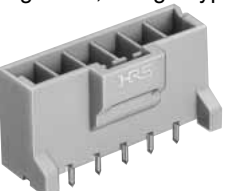





1 pos. is available in a standard 3 colors: natural, blue, and red.

12. Supports Eyelets

1 pos. can be mounted to boards which have eyelets attached.

Applications

Office equipment, power supplies for industrial, medical and instrumentation applications, variety of consumer electronic and electrical applications.

| Crimp Sockets | | Retainer (optional, order separately) |
|--|---|--|
| <p>● Single row</p>  <p>Shown with terminated and installed contacts. Refer to page 8 for details.</p> | <p>● Double rows</p>  <p>Shown with terminated and installed contacts. Refer to page 11 for details.</p> | |
| Header | |  <p>Refer to page 10 for details.</p> |
| <p>● Single row, straight type</p>  <p>Refer to page 4 for details.</p> | <p>● Double rows, straight type</p>  <p>Refer to page 10 for details.</p> | |
| <p>● Single row, right angle type</p>  <p>Refer to page 5 for details.</p> | <p>● Double row, right angle type</p>  <p>Refer to page 10 for details.</p> | |
| In-line plug | | |
| <p>● Panel lock type</p>  <p>Shown with terminated and installed contacts. Refer to page 6 for details.</p> | | |
|  <p>Shown with terminated and installed contacts. Refer to page 7 for details.</p> | | |

Ordering information

● Socket, Header

DF7 - * S - 3.96 C

① ② ③ ④ ⑤

● Contacts

DF7 - ** SCF

① ⑥ ⑦

| | |
|--|---|
| ① Series name: DF7, DF7A | ⑥ Applicable Conductor 1618: AWG 16 to AWG 18 2022: AWG 20 to AWG 22 2426: AWG 24 to AWG 26 |
| ② Number of contacts: 1 to 12 | |
| ③ Connector type S: Socket DS: Double-row socket P: Header DP: Double-row Header EP: In-line plug RS/P: Retainer | ⑦ Packaging SCF: Socket contacts / Reel SC: Socket contacts / Bag PCF: Plug contacts / Reel PC: Plug contacts / Bag |
| ④ Contact pitch: 3.96mm(7.92 mm) | |
| ⑤ Type of housing: header C: Crimp housing DSA: Straight header DS: Right-angle header Blank: Retainer | |

Product Specifications

| Ratings | Current rating | Row | No. of contacts | AWG16 | AWG18 | AWG20 | AWG22 | | | |
|------------------------|----------------|---------------|-----------------|-------|-----------------------|------------------------|---------------------|-----------------------------|-----------------------------|--|
| | | 1 | 1~10 | 10A | 7A | 5A | 4A | Operating temperature range | -35°C to 85°C (Note 1) | |
| | | 2 | 4 | 10A | 9A | 7A | 6A | Operating humidity range | 20% to 80% | |
| | | | 6 | 9A | 8A | 6A | 5A | | | |
| | | | 8 | 9A | 8A | 6A | 5A | Storage temperature range | -10°C to 60°C (Note 2) | |
| | | | 10 | 8A | 7A | 5A | 4A | | | |
| | 12 | 8A | 7A | 5A | 4A | Storage humidity range | 40% to 70% (Note 2) | | | |
| | Voltage rating | Specification | | | AC 630V | | | UL/C-UL/TÜV | File No. and Recognition No | |
| | | UL/C-UL | | | AC 600V | | | UL | :E52653 | |
| | | TÜV | | | AC 600V(7.92mm pitch) | | | C-UL | :E52653 | |
| AC 300V (3.96mm pitch) | | | | | TÜV | :R9750437 | | | | |

| Item | Specification | Condition |
|---|---|---|
| 1. Contact resistance | Contact resistance(Initial value) | 10 m ohms max. 20mV max., 1mA |
| 2. Insulator resistance | 1000 M ohms min. | 500 V DC |
| 3. Withstanding voltage | No flashover or Insulator breakdown | 1500 V AC for 1 minute |
| 4. Insertion-Extraction force (per contact) | 0.3N min., 4.5N max. | Measured with a steel pin of 0.64 x 1.2 ± 0.002 mm |
| 5. Durability (mating/unmating) | 30 cycles | Contact resistance of 20 m ohms max. |
| 6. Vibration | No momentary disconnections of 1 μs min. | Frequency 10 to 55 Hz, single amplitude of 0.75 mm, 3 axis, 2 hours |
| 7. Shock | No electrical discontinuity of 1 μs. min. | Acceleration of 490 m/s ² , 11 ms duration, sine half-wave waveform, 3 cycles in each of the 3 axis. |
| 8. Humidity | Contact resistance 20 m ohms max. | Temperature 40°C ± 2°C, 90% to 95% RH, 96 hours |
| 9. Temperature cycle | Contact resistance of 20 m ohms max. | (-55°C: 30 minutes → 5 to 35°C: 5 minutes → 85°C: 30 minutes → 5 to 35°C: 5 minutes) for 5 cycles |
| 10. Resistance to soldering heat | No deformation of the insulator parts affecting performance | Flow solder temperature 250°C, 10 seconds Manual soldering: Soldering iron temperature 300°C, 3 seconds |

Note 1: Includes temperature rise caused by the current flow.

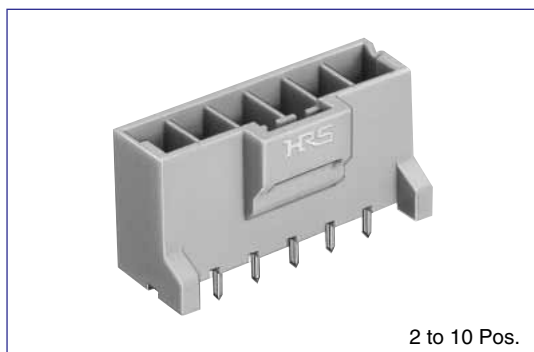
Note 2: The term "storage" refers to products stored for long period of time prior to mounting and use. Operating Temperature Range and Humidity range covers non- conducting condition of installed connectors in storage, shipment or during transportation.

Materials

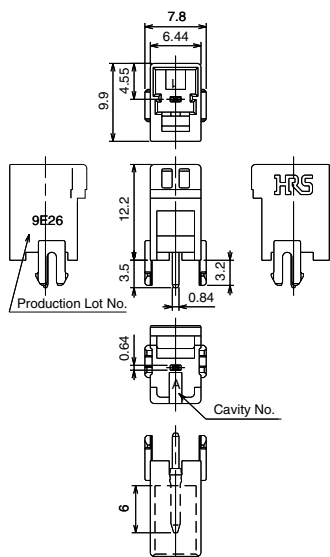
| Product | Part | Material | Finish | Remarks |
|----------------|-----------|--------------------------------|---|---------|
| Sockets | Insulator | Polyamide | Color: White | UL94V-0 |
| Headers | Insulator | Polyamide (Glass reinforced) | Color: Beige (Single row) Color: Grey (Double row) | UL94V-0 |
| | Contact | High conductivity copper alloy | Tin plating (Note) | — |
| In-line plug | Insulator | Polyamide | Color: White | UL94V-0 |
| Retainer | Insulator | Polyamide | Color: Black | UL94V-0 |
| Crimp contacts | Contacts | High conductivity copper alloy | Tin plating (Note) | — |

Note: Hirose Electric's plating incorporates anti-whisking compounds.

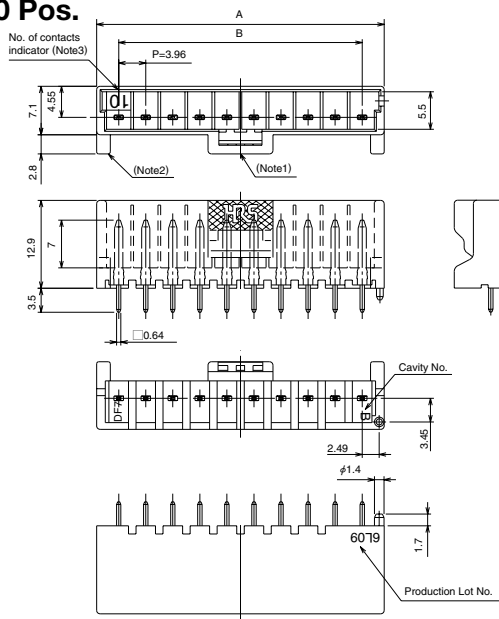
■ Straight header



1 Pos.



2 to 10 Pos.



| Part Number | CL No. | Number of contacts | A | B |
|-----------------|--------------|--------------------|-------|-------|
| DF7- 1P-3.96DSA | CL680-0133-1 | 1 | — | — |
| DF7- 2P-3.96DSA | CL680-0036-5 | 2 | 10.40 | 3.96 |
| DF7- 3P-3.96DSA | CL680-0037-8 | 3 | 14.36 | 7.92 |
| DF7- 4P-3.96DSA | CL680-0038-0 | 4 | 18.32 | 11.88 |
| DF7- 5P-3.96DSA | CL680-0039-3 | 5 | 22.28 | 15.84 |
| DF7- 6P-3.96DSA | CL680-0040-2 | 6 | 26.24 | 19.80 |
| DF7- 7P-3.96DSA | CL680-0041-5 | 7 | 30.20 | 23.76 |
| DF7- 8P-3.96DSA | CL680-0042-8 | 8 | 34.16 | 27.72 |
| DF7- 9P-3.96DSA | CL680-0043-0 | 9 | 38.12 | 31.68 |
| DF7-10P-3.96DSA | CL680-0044-3 | 10 | 42.08 | 35.64 |
| DF7- 2P-7.92DSA | CL680-0108-4 | 2 | 14.36 | 7.92 |
| DF7- 3P-7.92DSA | CL680-0109-7 | 3 | 22.28 | 15.84 |
| DF7- 4P-7.92DSA | CL680-0110-6 | 4 | 30.20 | 23.76 |
| DF7- 5P-7.92DSA | CL680-0111-9 | 5 | 38.12 | 31.68 |

Note 1) Bag packaging (100 pieces/bag). Order by number of bags.

Note 2) The 2 pos. type does not have walls on both sides.

Note 3) DF7-2P-7.92DSA plug has #2 contact positions of DF7-3P-3.96DSA without contacts inserted and the number of pos. indication is 2.

(Mating receptacle: DF7#-3S-3-96C)

DF7-3P-7.92DSA plug has #2 and #4 contact positions of DF7-5P-3.96DSA without contacts inserted and the number of pos. indication is 3.

(Mating receptacle: DF7#-5S-3-96C)

DF7-4P-7.92DSA plug has #2, #4 and #6 contact of DF7-7P-3.96DSA without contacts inserted and the number of pos. indication is 4.

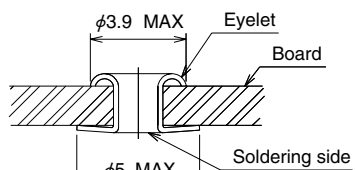
(Mating receptacle: DF7#-7S-3-96C)

DF7-5P-7.92DSA plug has #2, #4, #6 and #8 contact positions of DF7-9P-3.96DSA without contacts inserted and the number of pos. indication is 5.

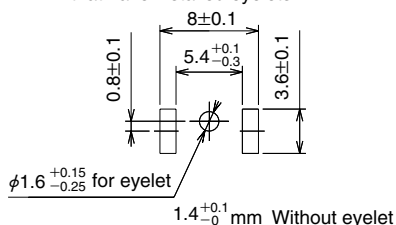
(Mating receptacle: DF7#-9S-3-96C)

◆ PCB mounting pattern (Board thickness: 1.6 ± 0.1)

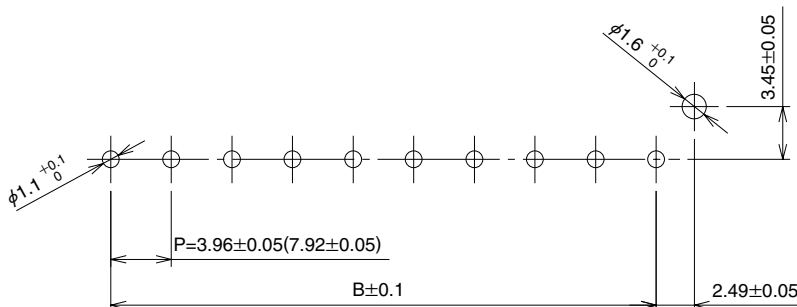
1 Pos.



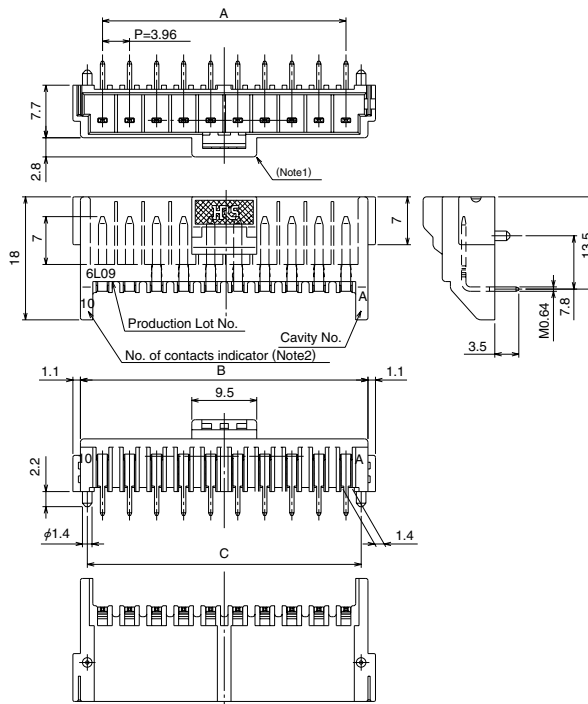
Note 5: One pos. type can also be mounted to boards that have installed eyelets.



2 to 10 Pos.



Right angle header



| Part Number | CL No. | Number of contacts | A | B | C | Quantity per tray |
|--------------------|-----------------|--------------------|-------|-------|-------|-------------------|
| DF7- 2P-3.96DS(24) | CL680-0081-0-24 | 2 | 3.96 | 10.40 | 8.40 | 114 |
| DF7- 3P-3.96DS(24) | CL680-0082-2-24 | 3 | 7.92 | 14.36 | 12.36 | 84 |
| DF7- 4P-3.96DS(24) | CL680-0083-5-24 | 4 | 11.88 | 18.32 | 16.32 | 66 |
| DF7- 5P-3.96DS(24) | CL680-0084-8-24 | 5 | 15.84 | 22.28 | 20.28 | 60 |
| DF7- 6P-3.96DS(24) | CL680-0085-0-24 | 6 | 19.80 | 26.24 | 24.24 | 48 |
| DF7- 7P-3.96DS(24) | CL680-0086-3-24 | 7 | 23.76 | 30.20 | 28.20 | 42 |
| DF7- 8P-3.96DS(24) | CL680-0087-6-24 | 8 | 27.72 | 34.16 | 32.16 | 36 |
| DF7- 9P-3.96DS(24) | CL680-0088-9-24 | 9 | 31.68 | 38.12 | 36.12 | 36 |
| DF7-10P-3.96DS(24) | CL680-0089-1-24 | 10 | 35.64 | 42.08 | 40.08 | 30 |
| DF7- 2P-7.92DS(24) | CL680-0124-0-24 | 2 | 7.92 | 14.36 | 12.36 | 84 |
| DF7- 3P-7.92DS(24) | CL680-0125-3-24 | 3 | 15.84 | 22.28 | 20.28 | 60 |
| DF7- 4P-7.92DS(24) | CL680-0126-6-24 | 4 | 23.76 | 30.20 | 28.20 | 42 |
| DF7- 5P-7.92DS(24) | CL680-0127-9-24 | 5 | 31.68 | 38.12 | 36.12 | 36 |

Note 1) Tray packaging. Order by number of quantity in the tray.

Note 2) DF7-2P-7.92DS plug has #2 contact positions of DF7-3P-3.96DS without contacts inserted and the number of pos. indication is 2.

(Mating receptacle: DF7#-3S-3-96C)

DF7-3P-7.92DS plug has #2 and #4 contact positions of DF7-5P-3.96DS without contacts inserted and the number of pos. indication is 3.

(Mating receptacle: DF7#-5S-3-96C)

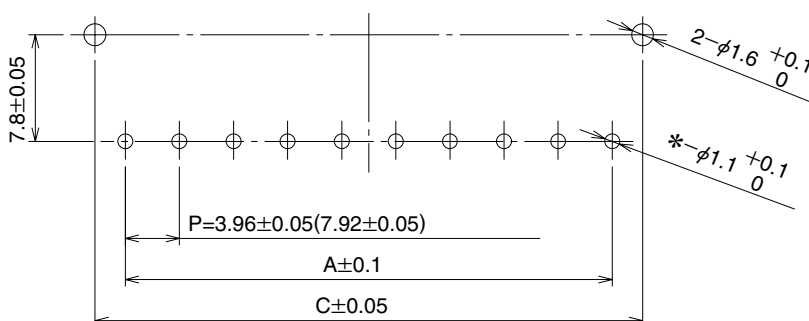
DF7-4P-7.92DS plug has #2, #4 and #6 contact of DF7-7P-3.96DS without contacts inserted and the number of pos. indication is 4.

(Mating receptacle: DF7#-7S-3-96C)

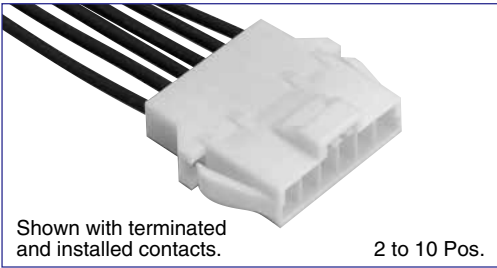
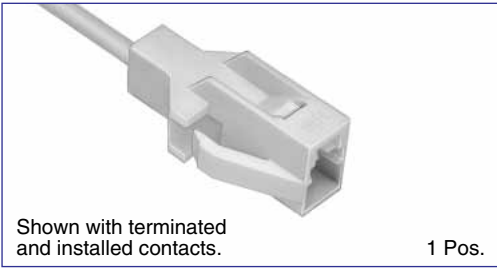
DF7-5P-7.92DS plug has #2, #4, #6 and #8 contact positions of DF7-9P-3.96DS without contacts inserted and the number of pos. indication is 5.

(Mating receptacle: DF7#-9S-3-96C)

PCB mounting pattern (Board thickness: 1.6 ± 0.1)



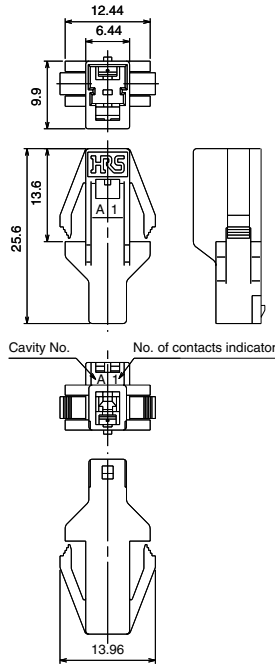
■ In-line plug (Panel lock type)



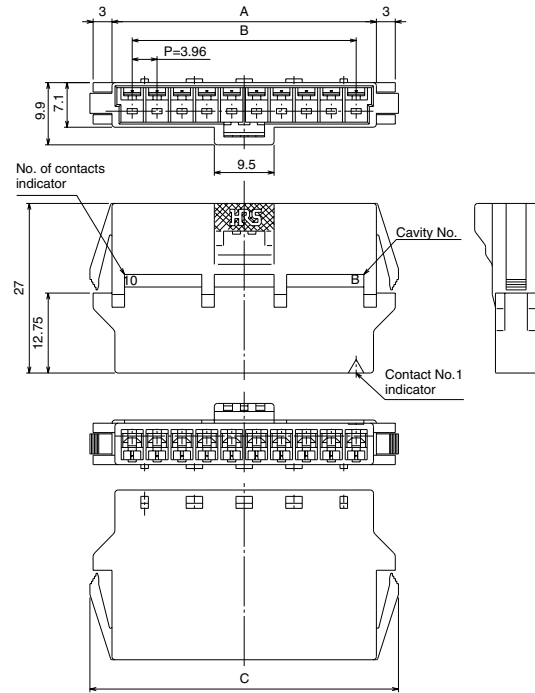
| Part Number | CL No. | Number of contacts | A | B | C |
|----------------|--------------|--------------------|-------|-------|-------|
| DF7- 1EP-3.96C | CL680-0134-4 | 1 | 6.44 | — | 13.96 |
| DF7- 2EP-3.96C | CL680-0018-3 | 2 | 10.40 | 3.96 | 17.40 |
| DF7- 3EP-3.96C | CL680-0019-6 | 3 | 14.36 | 7.92 | 21.36 |
| DF7- 4EP-3.96C | CL680-0020-5 | 4 | 18.32 | 11.88 | 25.32 |
| DF7- 5EP-3.96C | CL680-0021-8 | 5 | 22.28 | 15.84 | 29.28 |
| DF7- 6EP-3.96C | CL680-0022-0 | 6 | 26.24 | 19.80 | 33.24 |
| DF7- 7EP-3.96C | CL680-0023-3 | 7 | 30.20 | 23.76 | 37.20 |
| DF7- 8EP-3.96C | CL680-0024-6 | 8 | 34.16 | 27.72 | 41.16 |
| DF7- 9EP-3.96C | CL680-0025-9 | 9 | 38.12 | 31.68 | 45.12 |
| DF7-10EP-3.96C | CL680-0026-1 | 10 | 42.08 | 35.64 | 49.08 |

Note1: Bag packaging (100 pieces/bag). Order by number of bags.
 Note2: Refer to page 10 for retainer.

1 Pos.

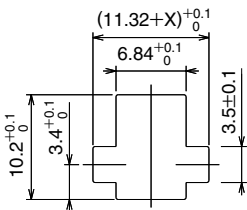


2 to 10 Pos.



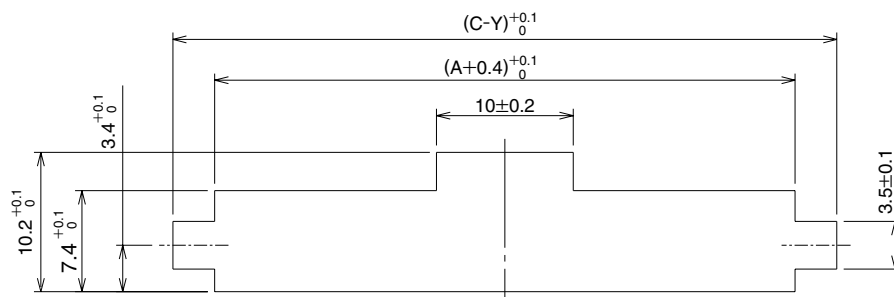
◆ Panel Cutout

1 Pos.

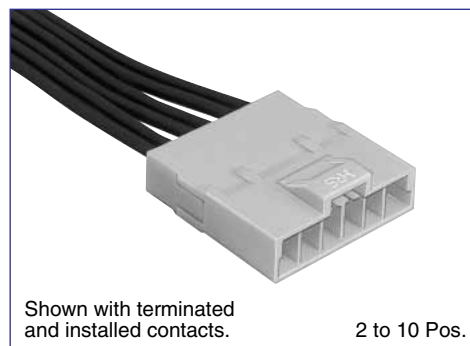
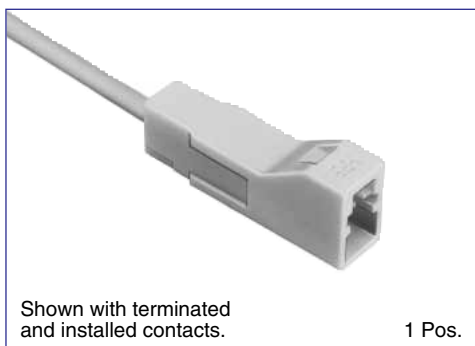


| | X | Y |
|-----|------|------|
| 2.0 | 1.44 | 0.88 |
| 1.6 | 0.96 | 0.96 |
| 1.2 | 0.48 | 1.44 |
| 0.8 | 0 | 1.92 |

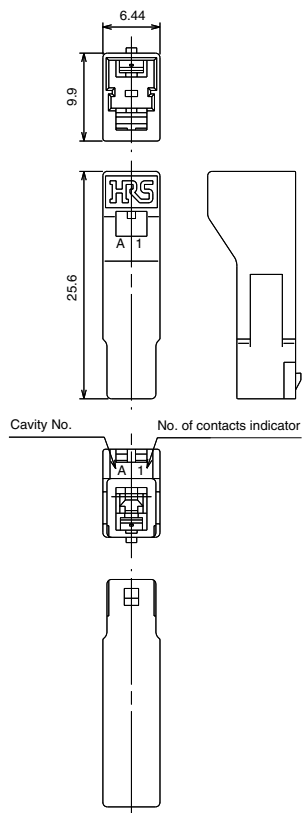
2 to 10 Pos.



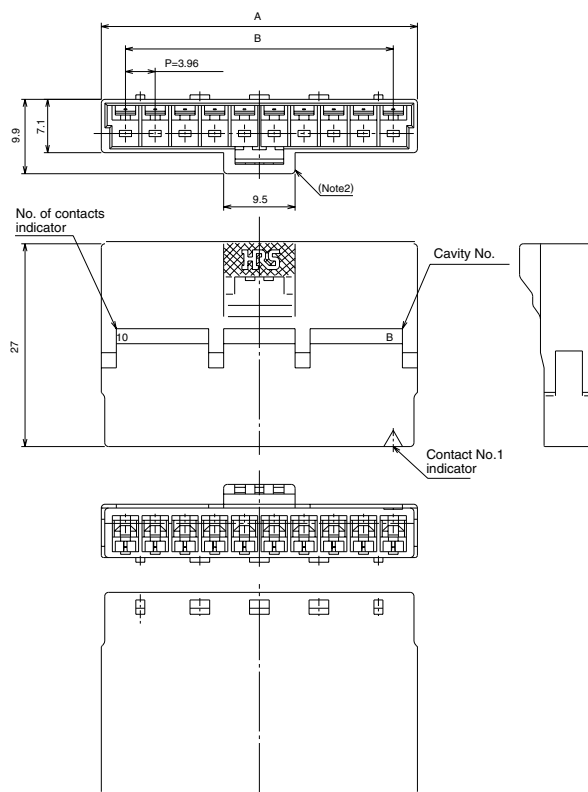
■ In-line Plug



1 Pos.



2 to 10 Pos.

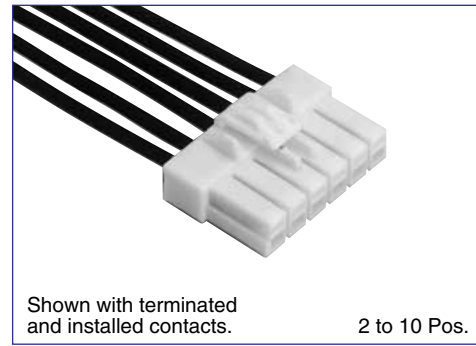
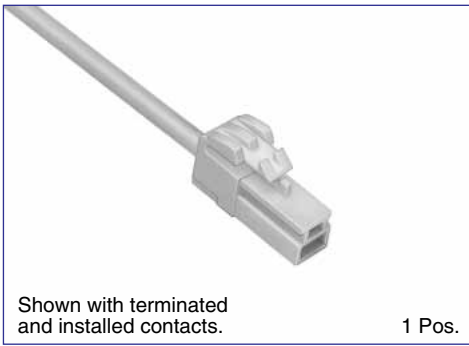


| Part Number | CL No. | Number of contacts | A | B |
|-----------------|--------------|--------------------|-------|-------|
| DF7A- 1EP-3.96C | CL680-0135-7 | 1 | 6.44 | — |
| DF7A- 2EP-3.96C | CL680-0072-9 | 2 | 10.40 | 3.96 |
| DF7A- 3EP-3.96C | CL680-0073-1 | 3 | 14.36 | 7.92 |
| DF7A- 4EP-3.96C | CL680-0074-4 | 4 | 18.32 | 11.88 |
| DF7A- 5EP-3.96C | CL680-0075-7 | 5 | 22.28 | 15.84 |
| DF7A- 6EP-3.96C | CL680-0076-0 | 6 | 26.24 | 19.80 |
| DF7A- 7EP-3.96C | CL680-0077-2 | 7 | 30.20 | 23.76 |
| DF7A- 8EP-3.96C | CL680-0078-5 | 8 | 34.16 | 27.72 |
| DF7A- 9EP-3.96C | CL680-0079-8 | 9 | 38.12 | 31.68 |
| DF7A-10EP-3.96C | CL680-0080-7 | 10 | 42.08 | 35.64 |

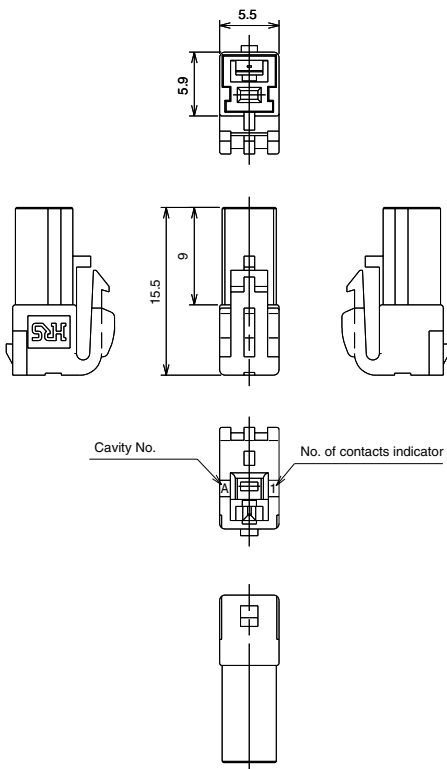
Note1: Bag packaging (100 pieces/bag). Order by number of bags.

Note2: Refer to page 10 for retainer.

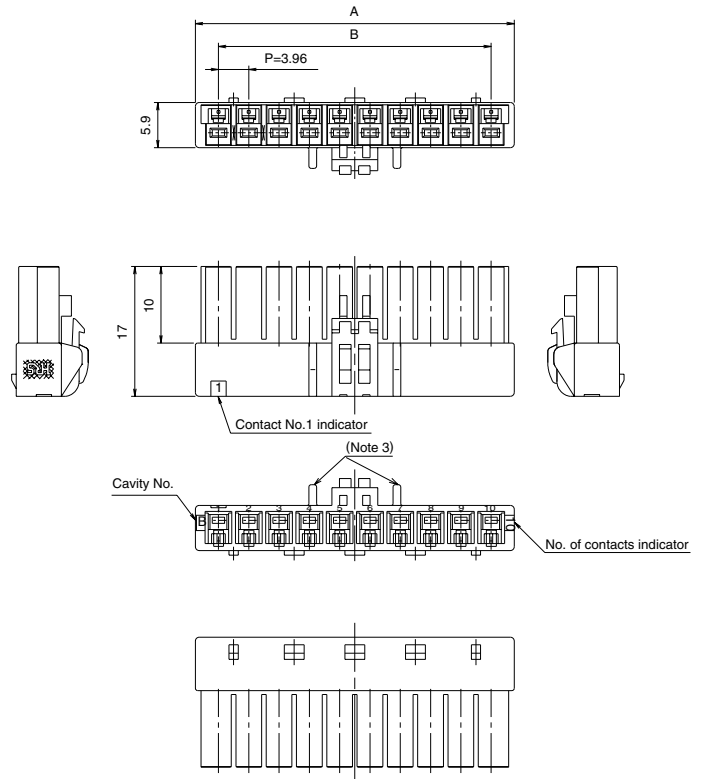
■ Crimp Sockets



1 Pos.



2 to 10 Pos.



| Part Number | CL No. | Number of contacts | A | B |
|---------------|--------------|--------------------|-------|-------|
| DF7- 1S-3.96C | CL680-0132-9 | 1 | 5.50 | — |
| DF7- 2S-3.96C | CL680-0009-2 | 2 | 10.00 | 3.96 |
| DF7- 3S-3.96C | CL680-0010-1 | 3 | 13.96 | 7.92 |
| DF7- 4S-3.96C | CL680-0011-4 | 4 | 17.92 | 11.88 |
| DF7- 5S-3.96C | CL680-0012-7 | 5 | 21.88 | 15.84 |
| DF7- 6S-3.96C | CL680-0013-0 | 6 | 25.84 | 19.80 |
| DF7- 7S-3.96C | CL680-0014-2 | 7 | 29.80 | 23.76 |
| DF7- 8S-3.96C | CL680-0015-5 | 8 | 33.76 | 27.72 |
| DF7- 9S-3.96C | CL680-0016-8 | 9 | 37.72 | 31.68 |
| DF7-10S-3.96C | CL680-0017-0 | 10 | 41.68 | 35.64 |

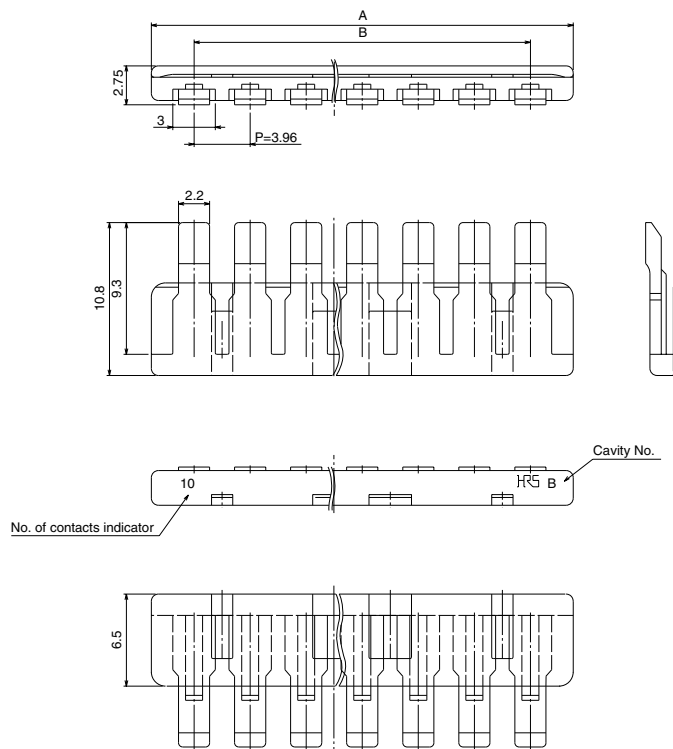
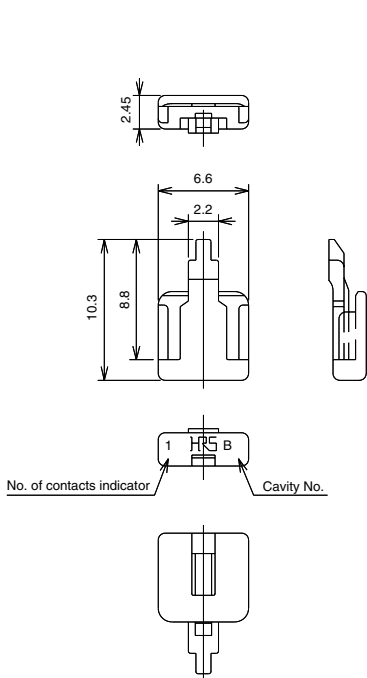
Note1: Bag packaging (100 pieces/bag). Order by number of bags.
 Note2: Refer to page 10 for retainer.

■ Retainer



1 Pos.

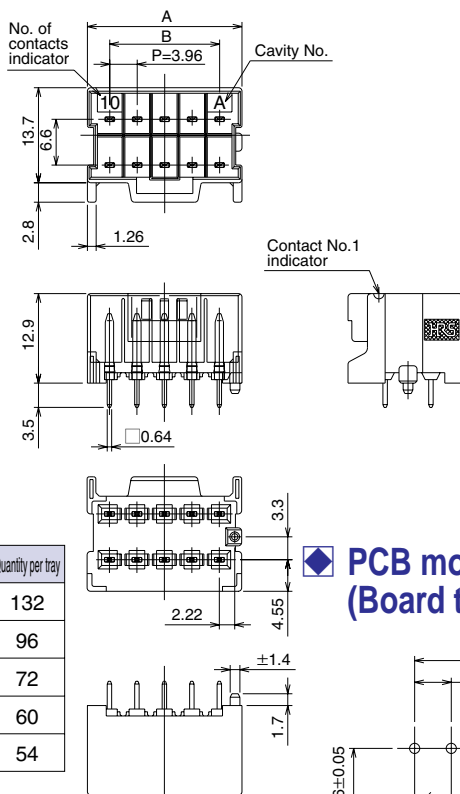
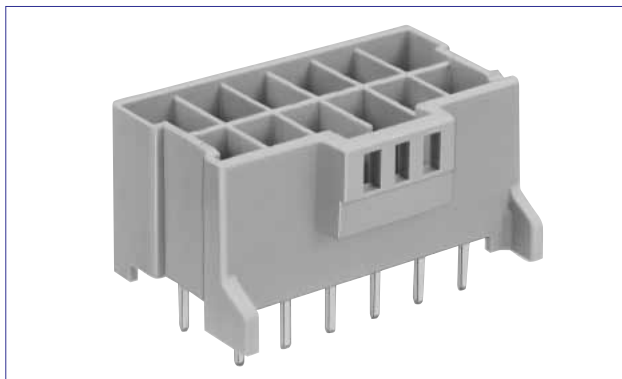
2 to 10 Pos.



| Part Number | CL No. | Number of contacts | A | B |
|-----------------|--------------|--------------------|-------|-------|
| DF7- 1RS/P-3.96 | CL680-0136-0 | 1 | — | — |
| DF7- 2RS/P-3.96 | CL680-0027-4 | 2 | 10.00 | 3.96 |
| DF7- 3RS/P-3.96 | CL680-0028-7 | 3 | 13.96 | 7.92 |
| DF7- 4RS/P-3.96 | CL680-0029-0 | 4 | 17.92 | 11.88 |
| DF7- 5RS/P-3.96 | CL680-0030-9 | 5 | 21.88 | 15.84 |
| DF7- 6RS/P-3.96 | CL680-0031-1 | 6 | 25.84 | 19.80 |
| DF7- 7RS/P-3.96 | CL680-0032-4 | 7 | 29.80 | 23.76 |
| DF7- 8RS/P-3.96 | CL680-0033-7 | 8 | 33.76 | 27.72 |
| DF7- 9RS/P-3.96 | CL680-0034-0 | 9 | 37.72 | 31.68 |
| DF7-10RS/P-3.96 | CL680-0035-2 | 10 | 41.68 | 35.64 |

Note1: Bag packaging (100 pieces/bag). Order by number of bags.
 Note2: Retainer is common to sockets, in-line plug.

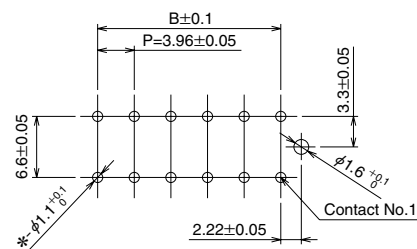
Double-row Straight Header



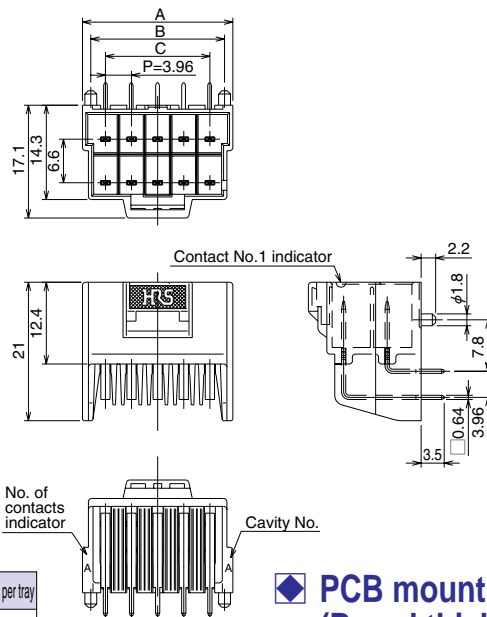
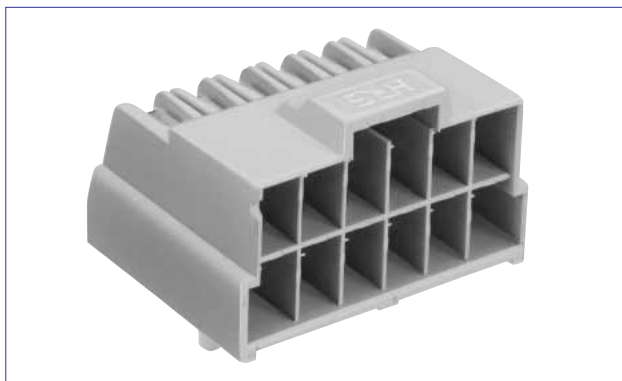
| Part Number | CL No. | Number of contacts | A | B | Quantity per tray |
|----------------------|-----------------|--------------------|-------|-------|-------------------|
| DF7- 4DP-3.96DSA(24) | CL680-0145-0-24 | 4 | 10.40 | 3.96 | 132 |
| DF7- 6DP-3.96DSA(24) | CL680-0146-3-24 | 6 | 14.36 | 7.92 | 96 |
| DF7- 8DP-3.96DSA(24) | CL680-0147-6-24 | 8 | 18.32 | 11.88 | 72 |
| DF7-10DP-3.96DSA(24) | CL680-0148-9-24 | 10 | 22.28 | 15.84 | 60 |
| DF7-12DP-3.96DSA(24) | CL680-0149-1-24 | 12 | 26.24 | 19.80 | 54 |

Note: Tray packaging. Order by number of trays quantity.

PCB mounting pattern (Board thickness: 1.6±0.1)



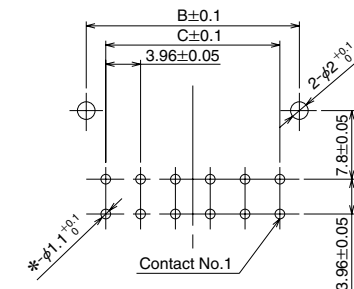
Double-row Right angle Header



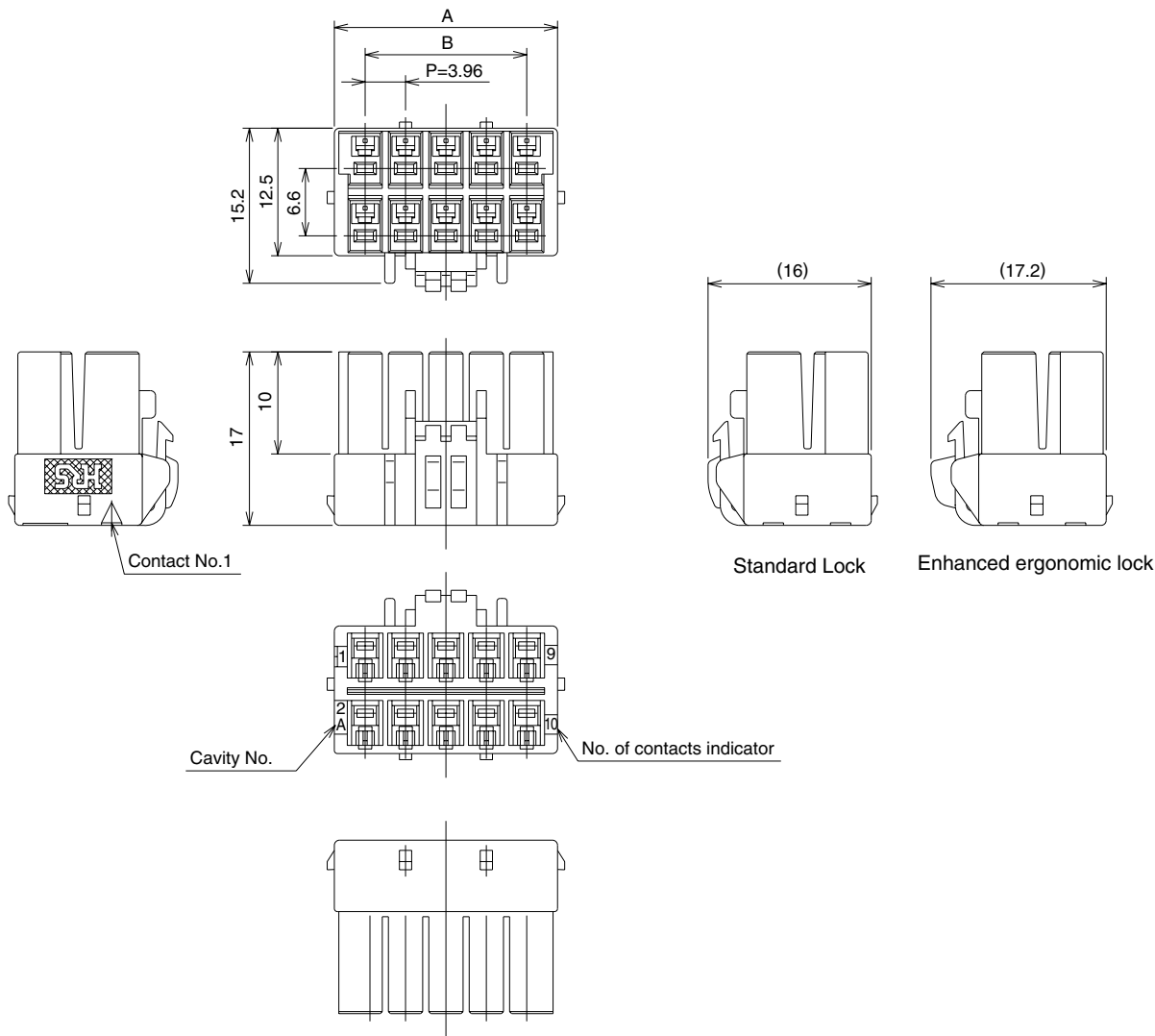
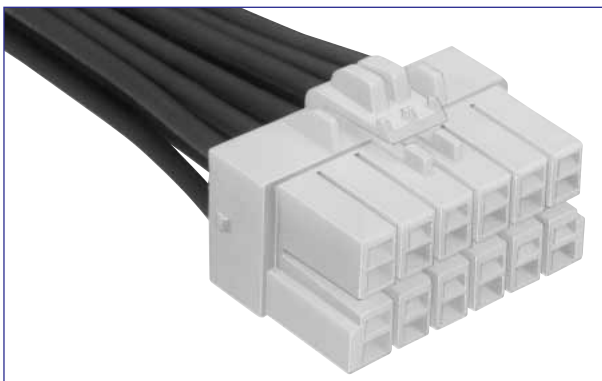
| Part Number | CL No. | Number of contacts | A | B | C | Quantity per tray |
|---------------------|-----------------|--------------------|-------|-------|-------|-------------------|
| DF7- 4DP-3.96DS(24) | CL680-0150-0-24 | 4 | 10.40 | 8.40 | 3.96 | 88 |
| DF7- 6DP-3.96DS(24) | CL680-0151-3-24 | 6 | 14.36 | 12.36 | 7.92 | 64 |
| DF7- 8DP-3.96DS(24) | CL680-0152-6-24 | 8 | 18.32 | 16.32 | 11.88 | 48 |
| DF7-10DP-3.96DS(24) | CL680-0153-9-24 | 10 | 22.28 | 20.28 | 15.84 | 40 |
| DF7-12DP-3.96DS(24) | CL680-0154-1-24 | 12 | 26.24 | 24.24 | 19.80 | 36 |

Note: Tray packaging. Order by number of trays quantity.

PCB mounting pattern (Board thickness: 1.6±0.1)



Double-row Socket



Standard lock

| Part Number | CL No. | Number of contacts | A | B |
|----------------|--------------------------------------|--------------------|-------|-------|
| DF7-4DS-3.96C | Reserved For product expansion | 4 | 10.00 | 3.96 |
| DF7-6DS-3.96C | | 6 | 13.96 | 7.92 |
| DF7-8DS-3.96C | | 8 | 17.92 | 11.88 |
| DF7-10DS-3.96C | | 10 | 21.88 | 15.84 |
| DF7-12DS-3.96C | | 12 | 25.84 | 19.80 |

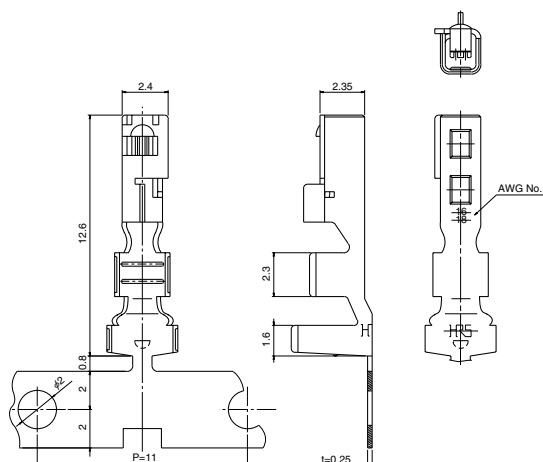
Enhanced ergonomic lock

| Part Number | CL No. | Number of contacts | A | B |
|-----------------|--------------|--------------------|-------|-------|
| DF7A-4DS-3.96C | CL680-0160-4 | 4 | 10.00 | 3.96 |
| DF7A-6DS-3.96C | CL680-0161-7 | 6 | 13.96 | 7.92 |
| DF7A-8DS-3.96C | CL680-0162-0 | 8 | 17.92 | 11.88 |
| DF7A-10DS-3.96C | CL680-0163-2 | 10 | 21.88 | 15.84 |
| DF7A-12DS-3.96C | CL680-0164-5 | 12 | 25.84 | 19.80 |

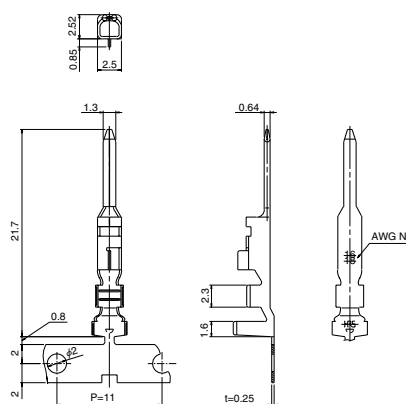
Note: Bag packaging (100 pieces/bag). Order by number of bags.

■ Crimp Contact

● Female Contact



● Male Contact



| Part Number | CL No. | Packaging | Quantity | Finish |
|-------------|--------------|-----------|----------|-------------|
| DF7-1618SCF | CL680-0001-0 | Reel | 3,000 | Tin plating |
| DF7-1618SC | CL680-0002-3 | Bag | 100 | |
| DF7-2022SCF | CL680-0003-6 | Reel | 3,000 | |
| DF7-2022SC | CL680-0004-9 | Bag | 100 | |
| DF7-1618PCF | CL680-0005-1 | Reel | 3,000 | |
| DF7-1618PC | CL680-0006-4 | Bag | 100 | |
| DF7-2022PCF | CL680-0007-7 | Reel | 3,000 | |
| DF7-2022PC | CL680-0008-0 | Bag | 100 | |

● Applicable cable (Tin plated annealed copper wire)

| Wire size (Stranded wire conductor) | UL style | Jacket diameter |
|-------------------------------------|----------|-----------------|
| AWG#16(26/0.254mm) | UL1007 | 2.1 to 2.5mm |
| AWG#18(34/0.18mm) | | |
| AWG#20(21/0.18mm) | | 1.6 to 1.9mm |
| AWG#22(17/0.16mm) | | |
| AWG#16(26/0.254mm) | UL1015 | 2.9 to 3.2mm |
| AWG#18(34/0.18mm) | | |
| AWG#20(21/0.18mm) | | 2.4 to 2.7mm |
| AWG#22(17/0.16mm) | | |

Note 1: Applicable wire with tin plated solid soft conductor.

Note 2: When using other than the recommended wire, contact your nearest Hirose representative.

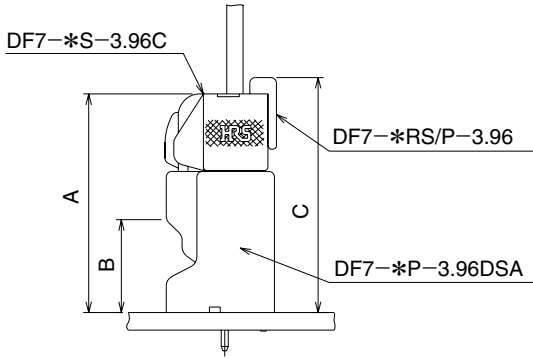
Note 3: Strip length: 3.0 to 3.8mm.

■ Tools

| Type | Part Number | CL No. | Applicable Contacts |
|-----------|-------------|----------------|---------------------|
| Automatic | Press unit | CM-105 | CL901-0005-4 |
| | Applicator | AP105-DF7-1618 | CL901-4554-4 |
| | | AP105-DF7-2022 | CL901-4553-1 |
| Manual | Crimp tools | HT104/DF7-1618 | CL550-0268-0 |
| | | HT104/DF7-2022 | CL550-0269-3 |

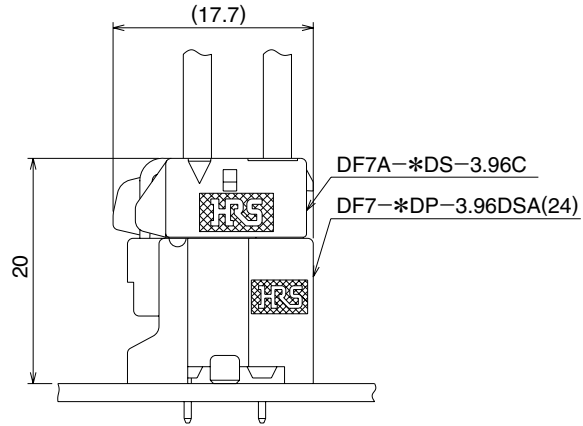
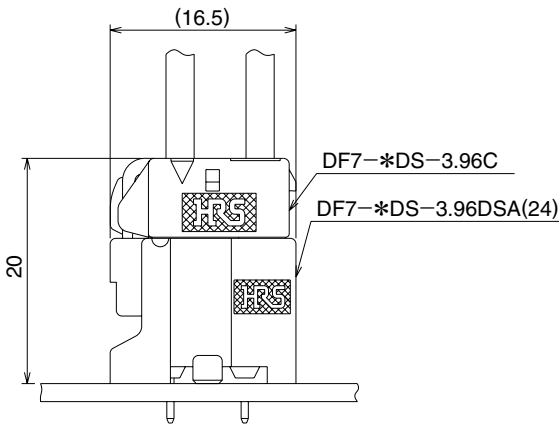
◆ Mating Dimensions

● Socket to Straight Header Connection

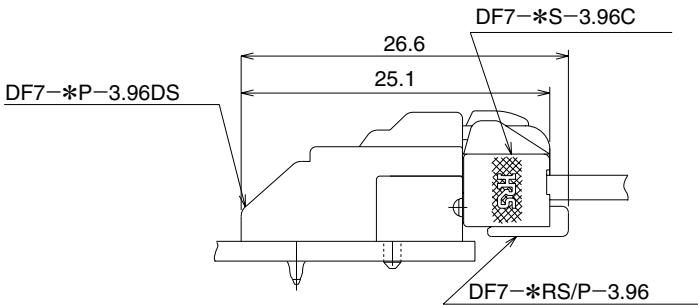


| DF7-*S-3.96C | | |
|--------------|--------|--------------|
| | 1 pos. | 2 to 12 pos. |
| A | 18.5 | 20.0 |
| B | 9.0 | 8.5 |
| C | 20.3 | 21.5 |

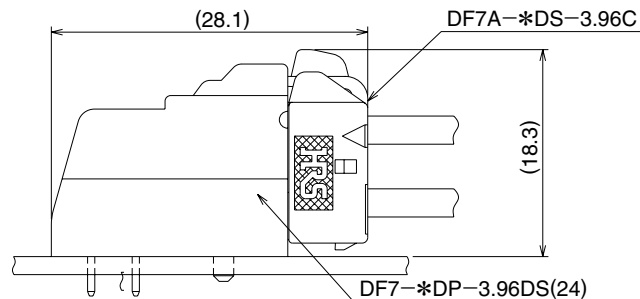
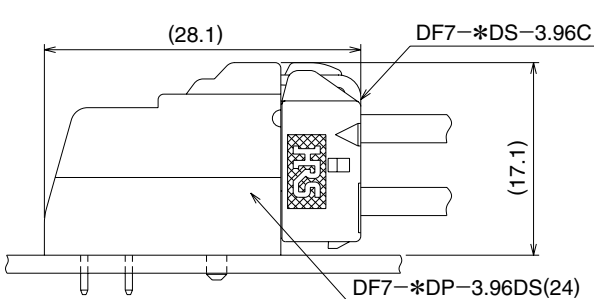
● Socket to Straight Header Connection (Double-row)



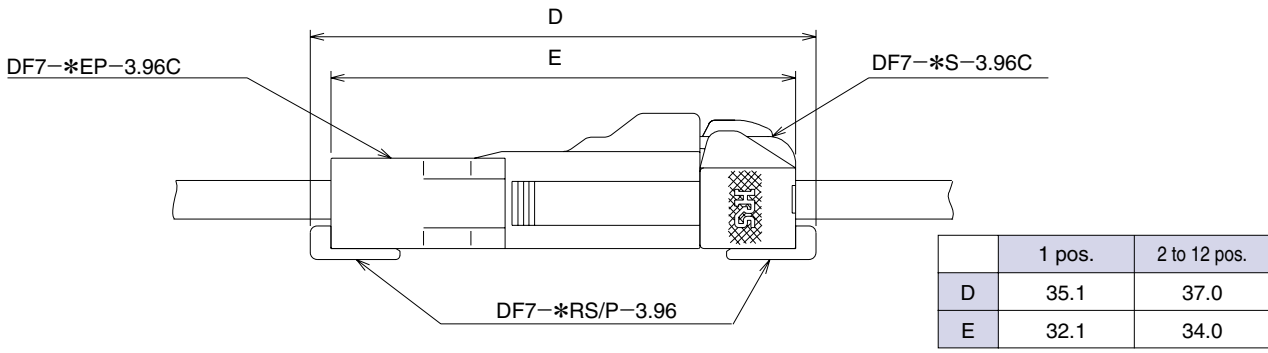
● Socket to Right angle Header Connection



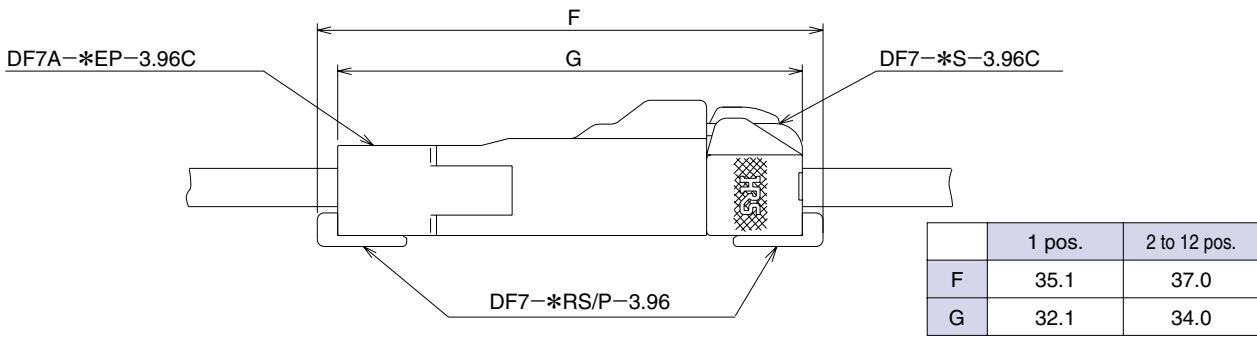
● Socket to Right angle Header Connection (Double-row)



● **Socket to In-line Plug (Panel mount type) Connection**



● **Socket to In-line Plug Connection**



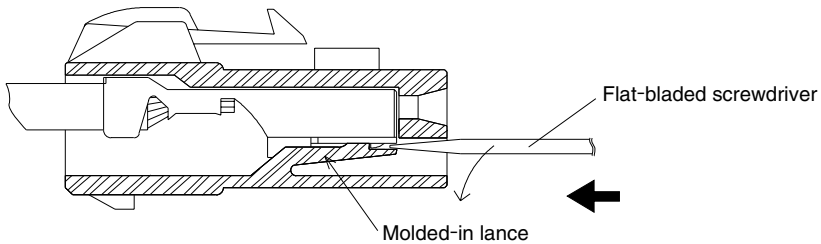
◆ Contact Extraction Procedure

■ Contact extraction tool: Flat-bladed screwdriver, 1.4 mm blade width

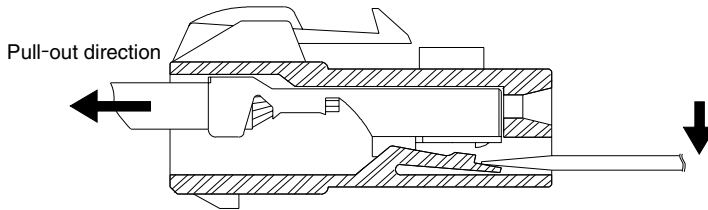
■ Use with crimp Contacts: DF7-1618SC(F), DF7-2022SC(F),
DF7-1618PC(F), DF7-2022PC(F)

■ Work Method

Housing Cross-Section



1. Refer to the drawing No. 1. Insert correct size screwdriver in the insulator against the molded-in lance. Deflect the lance as shown.



2. Assure that the lance is deflected to release the contact and pull-out wire with the terminated contact.

◆ General Use Precautions

- Make sure that the lock is fully depressed before un-mating the connectors.
- Use correct size of the wires. Do NOT forcefully twist or deform wires, as this may affect the crimped contact connection.
- When the potting process is to be performed, please take into consideration the surface tension of the resin when filling.