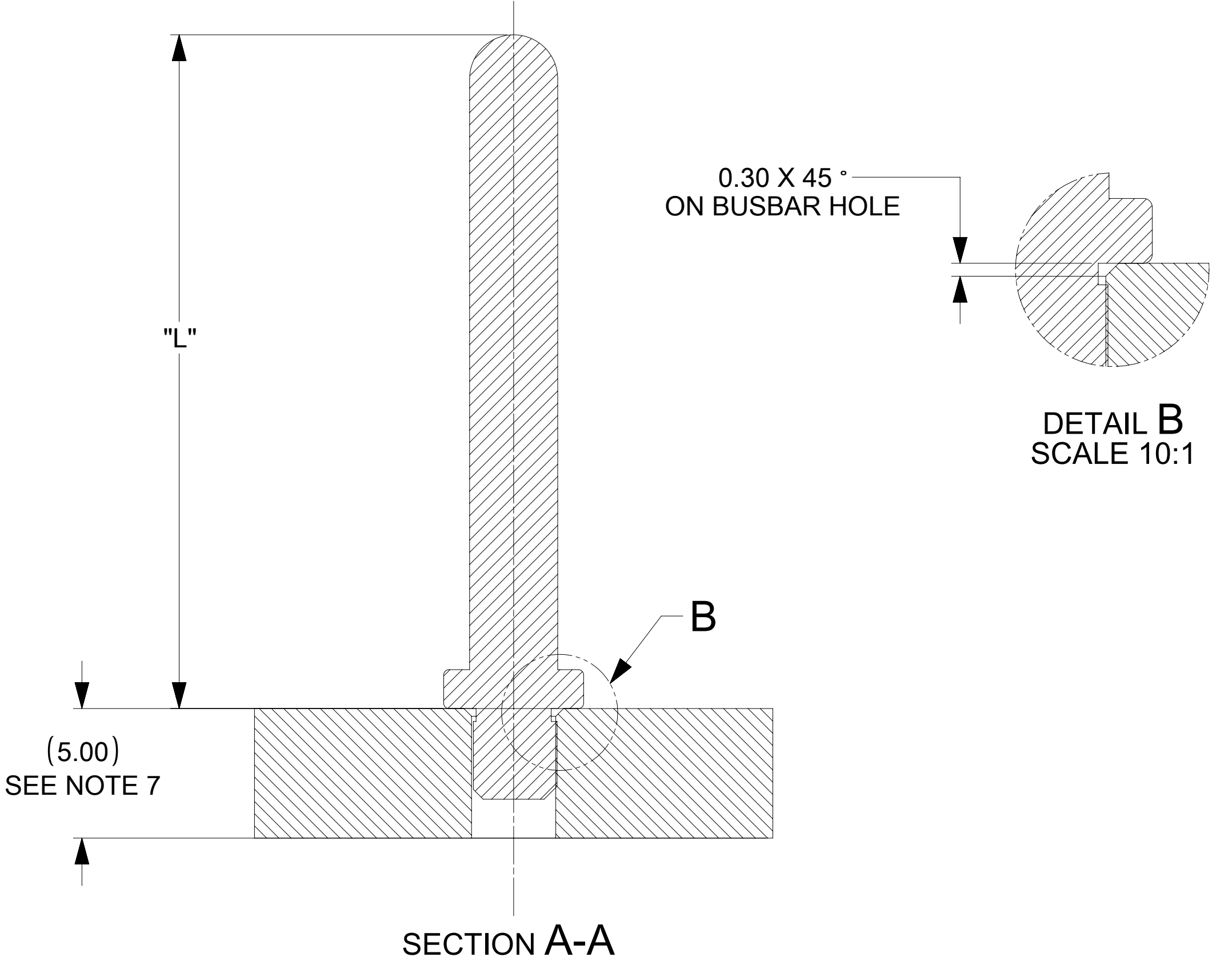
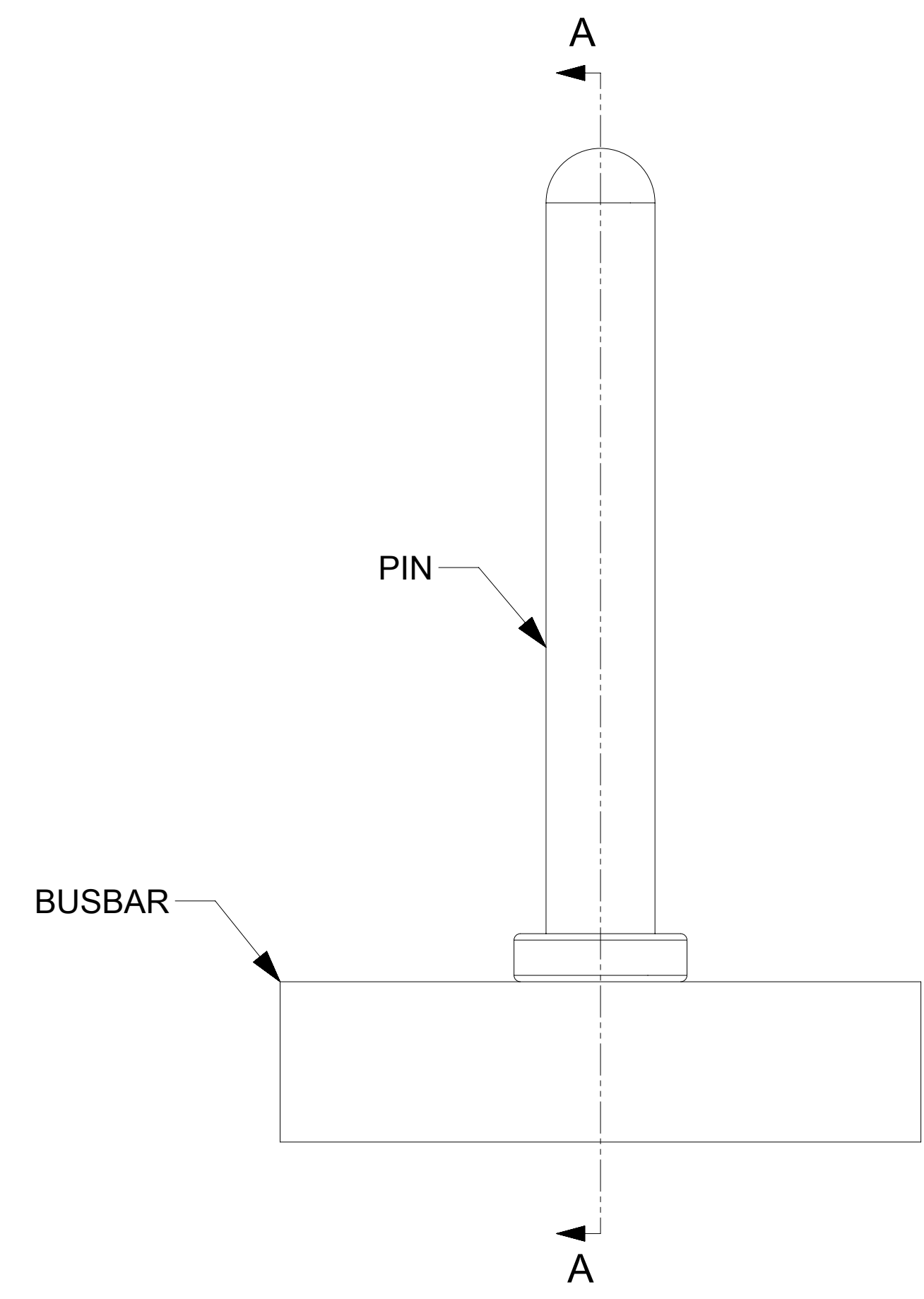
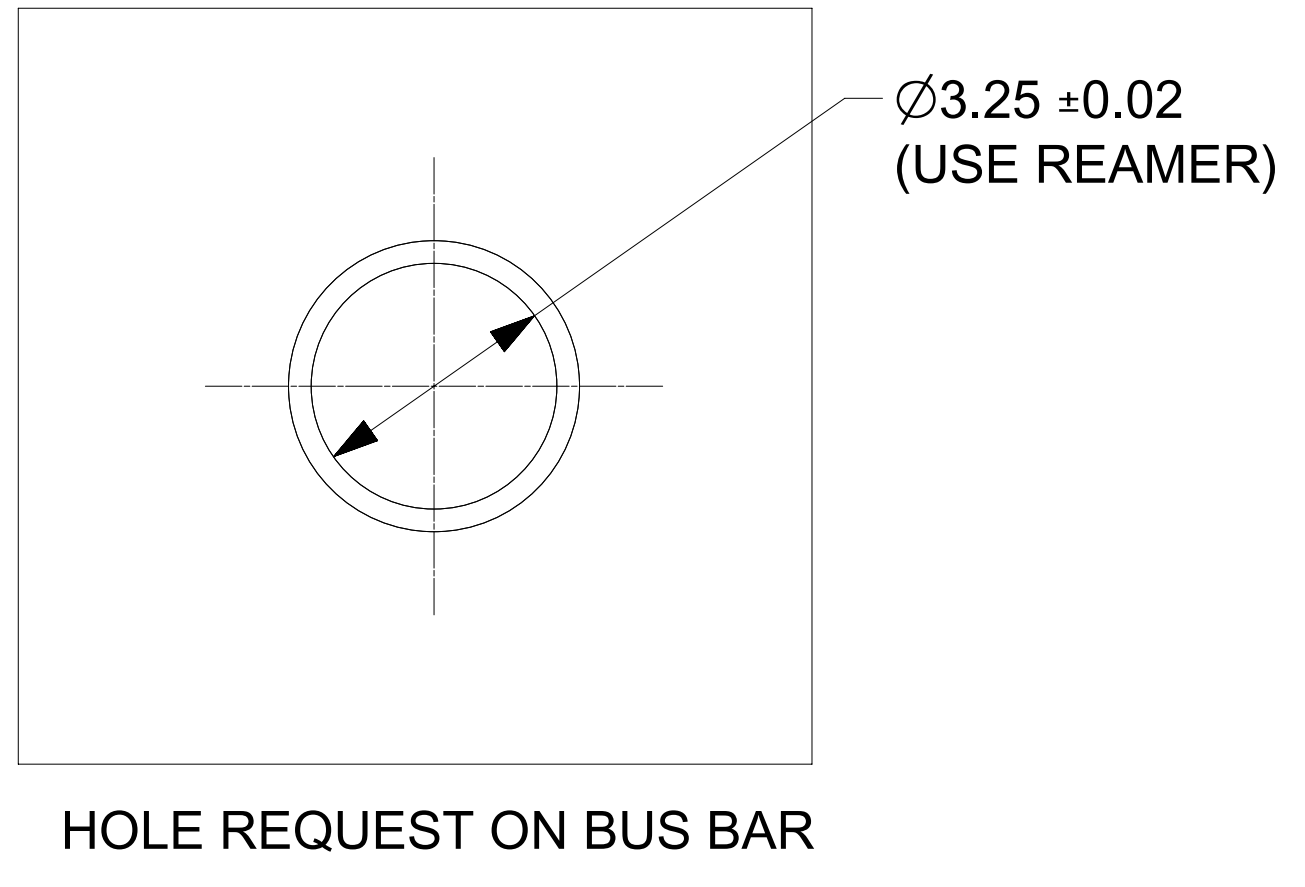
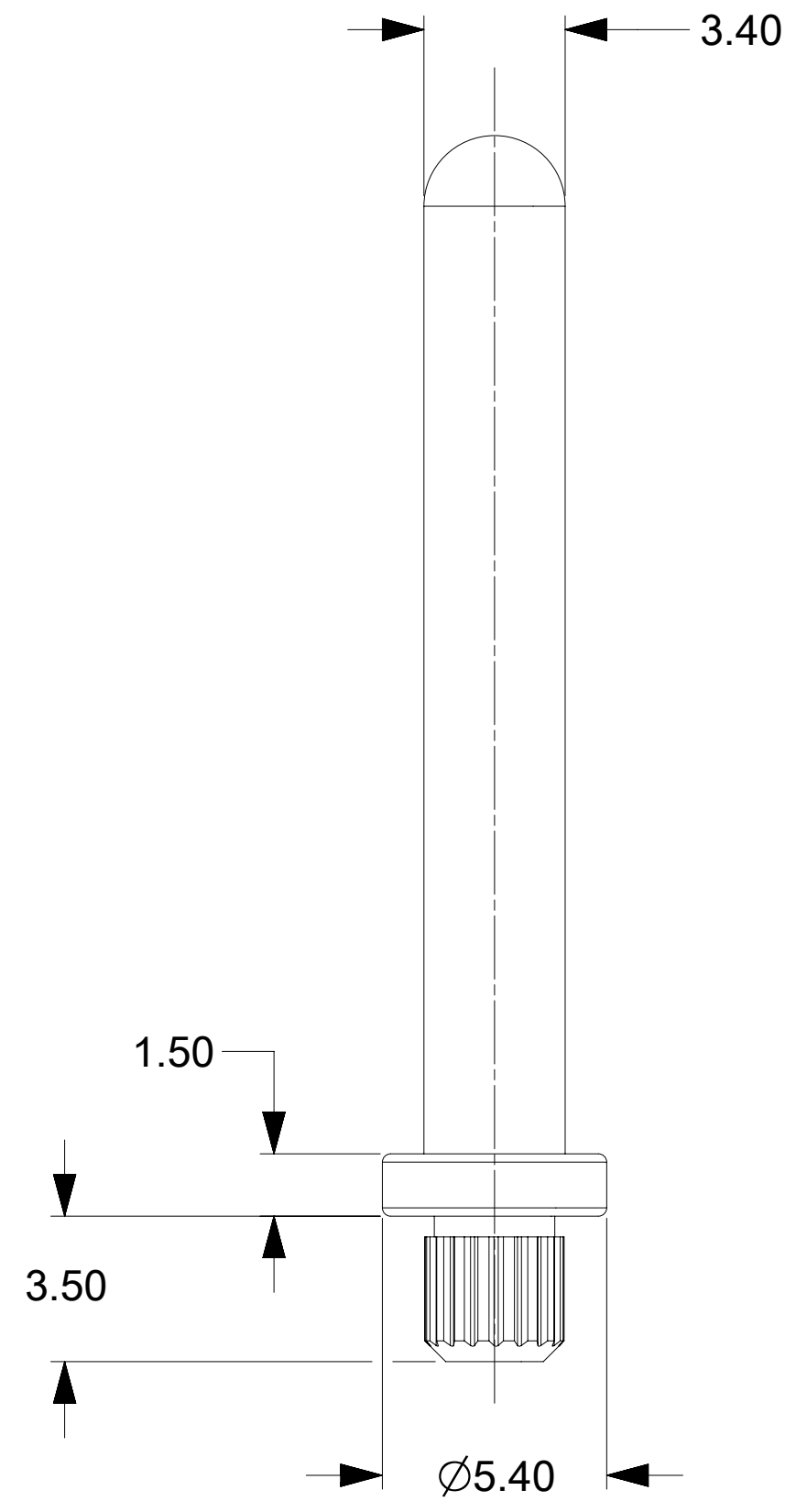
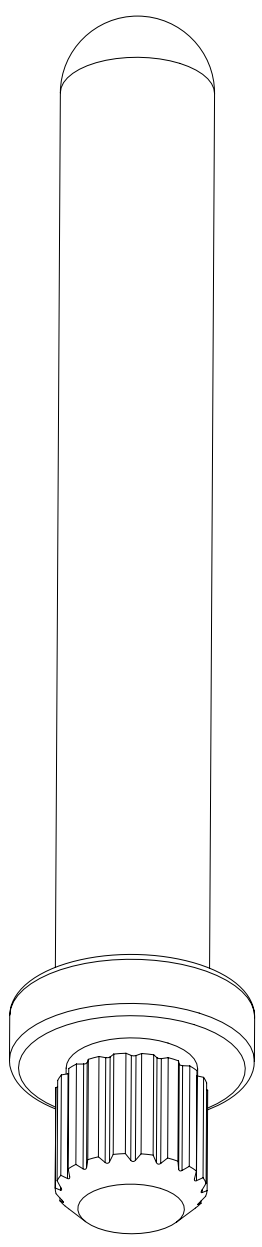


PART NUMBER	DIMENSION L
203263-0234	16.00
203263-0034	26.00
203263-0334	36.00
203263-0434	46.00
203263-0534	20.00
203263-0934	48.00



NOTES :

- MATERIAL:
 - BASE METAL: HIGH CONDUCTIVE COPPER ALLOY
 - PLATING ON BODY: 3.18 MICRON MIN SILVER OVER 1.27 MICRON MIN NICKEL
- PRODUCT SPECIFICATION: 2043130018-PS
- APPLICATION SPECIFICATION: 2043130018-AS
- PACKAGING SPECIFICATION: 2032630006-PK
- SILVER COMPONENTS WILL BE SUPPLIED TARNISH FREE BUT MAY TARNISH OVER TIME.
- MINIMUM RECOMMENDED BUSBAR THICKNESS IS 1.5MM

THIS DRAWING CONTAINS INFORMATION THAT IS PROPRIETARY TO MOLEX ELECTRONIC TECHNOLOGIES, LLC AND SHOULD NOT BE USED WITHOUT WRITTEN PERMISSION														
DIMENSION UNITS		SCALE		CURRENT REV DESC: UPDATED THE DESCRIPTION										
mm		10:1												
GENERAL TOLERANCES (UNLESS SPECIFIED)														
ANGULAR TOL ± 0.5°														
4 PLACES ±		EC NO: 726284												
3 PLACES ±		DRWN: SOURAJ 2022/10/26												
2 PLACES ± 0.15		CHK'D: SUVARS 2022/10/27								PRODUCT CUSTOMER DRAWING				
1 PLACE ± 0.25		APPR: GSHARMA 2022/10/28												
0 PLACES ±		INITIAL REVISION:								DOCUMENT NUMBER		DOC TYPE	DOC PART	REVISION
DRAFT WHERE APPLICABLE MUST REMAIN WITHIN DIMENSIONS		THIRD ANGLE PROJECTION		DRAWING		SERIES		MATERIAL NUMBER		CUSTOMER		SHEET NUMBER		
				D-SIZE		203263		SEE TABLE		GENERAL MARKET		1 OF 1		