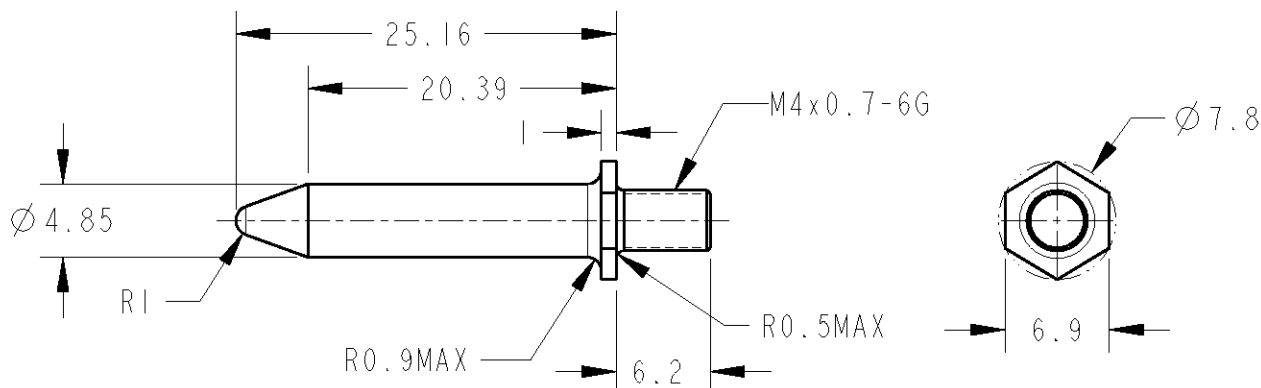
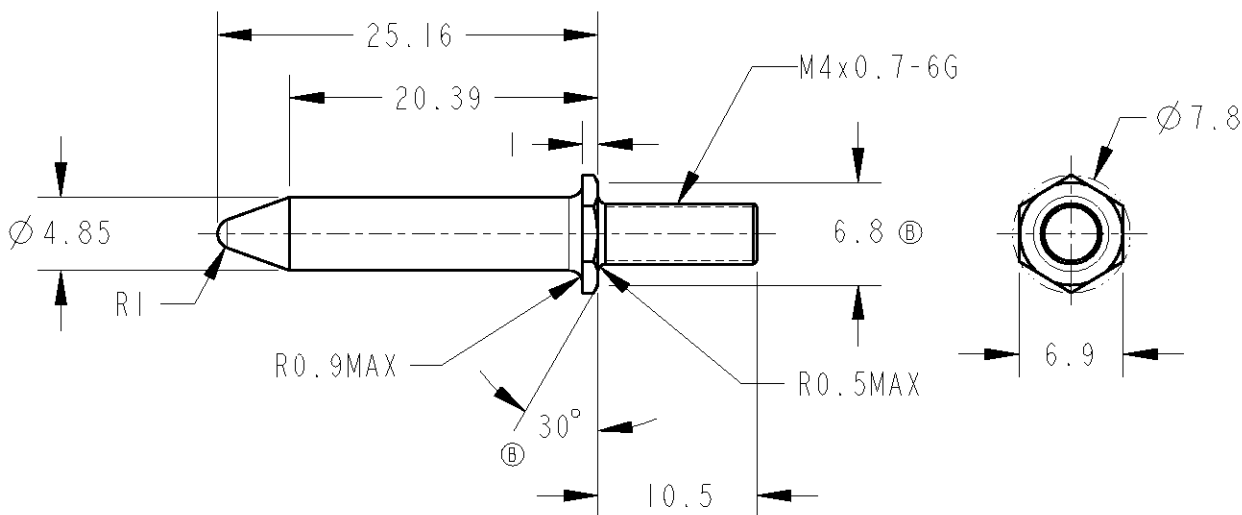


LOC	DIST	REVISIONS 変更					
J	-	P	LTR	DESCRIPTION	DATE	DWN	APVD
		B		REDRAWN, REVISED FJB0-0208-03	19MAR2003	C.O	I.E

353518-1



353518-2



⚠ 仕上げ; 全面無電解めっき
銅下地めっき1μm最小の上は、ニッケルめっき2μm最小

⚠ FINISH; WHOLE SURFACE ELECTROLESS PLATING
0.001mm MIN THK. Cu UNDER PLATING
0.002mm MIN THK. Ni SURFACE PLATING

2003MART

RELEASED FOR PUBLICATION

THIS DRAWING IS UNPUBLISHED.

© COPYRIGHT 2003 BY TYCO ELECTRONICS CORPORATION. ALL RIGHTS RESERVED.

DIMENSIONS: 単位: 耗 mm	DWN C.OHASHI	11MAR2003	MATERIAL 材料	STEEL	FINISH 仕	SEE NOTE 1
	CHK K.IKEGAMI	19MAR2003	Tyco Electronics AMP K.K. Kawasaki, Japan			
TOLERANCES UNLESS OTHERWISE SPECIFIED:	APVD I.ENOMOTO	19MAR2003				
一般公差 0 PLC ± 1 PLC ±0.3 2 PLC ±0.2 3 PLC ± 4 PLC ± ANGLES ±	PRODUCT SPEC 製品規格	-	NAME 名称 UNIVERSAL POWER MODULE GUIDE PIN			
	APPLICATION SPEC 取付適用規格	-	SIZE	CAGE CODE	DRAWING NO 番号	RESTRICTED TO
	WEIGHT	-	A4	00779	C=353518	-
	CUSTOMER DRAWING			SCALE 尺度	SHEET 頁	OF OF
				2:1	1	REV B